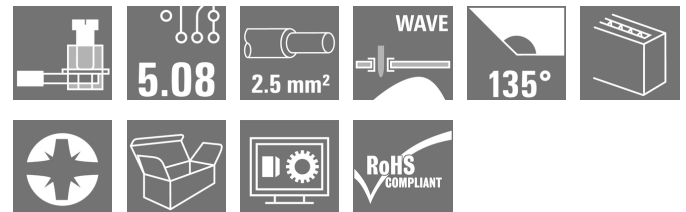


## OMNIMATE Signal - series LM LM 5.08/08/135 3.5SN OR BX

**Weidmüller Interface GmbH & Co. KG**  
Klingenbergstraße 26  
D-32758 Detmold  
Germany  
Fon: +49 5231 14-0  
Fax: +49 5231 14-292083  
www.weidmueller.com

### Product image



Similar to illustration

PCB terminal with proven clamping yoke connection at 5.00 and 5.08 mm pitch. Conductor outlet direction 90°, 135° and 180°. Suitable for conductor cross-sections up to 2.5 mm<sup>2</sup>.

### General ordering data

|              |   |
|--------------|---|
| Type         | LM 5.08/08/135 3.5SN OR BX  |
| Order No.    | <a href="#">9994590000</a>  |
| Version      | Printed circuit board terminals, 5.08 mm, Number of poles: 8, 135°, Solder pin length (l): 3.5 mm, tinned, orange, Clamping yoke connection, Clamping range, max. : 2.5 mm <sup>2</sup> , Box |
| GTIN (EAN)   | 4032248362288   |
| Qty.         | 50 pc(s).   |
| Product data | IEC: 630 V / 17.5 A / 0.2 - 2.5 mm <sup>2</sup><br>UL: 300 V / 15 A / AWG 24 - AWG 14   |
| Packaging    | Box   |

Creation date April 30, 2020 6:58:08 PM CEST

**OMNIMATE Signal - series LM**  
**LM 5.08/08/135 3.5SN OR BX**

**Weidmüller Interface GmbH & Co. KG**  
 Klingenbergstraße 26  
 D-32758 Detmold  
 Germany  
 Fon: +49 5231 14-0  
 Fax: +49 5231 14-292083  
 www.weidmueller.com

**Technical data**
**Dimensions and weights**

|                          |            |                 |            |
|--------------------------|------------|-----------------|------------|
| Width                    | 41.19 mm   | Width (inches)  | 1.622 inch |
| Height                   | 19 mm      | Height (inches) | 0.748 inch |
| Height of lowest version | 15.5 mm    | Depth           | 13.9 mm    |
| Depth (inches)           | 0.547 inch | Net weight      | 10.66 g    |

**System parameters**

|  |                             |  |                          |
|--|-----------------------------|--|--------------------------|
| Product family                             | OMNIMATE Signal - series LM | Wire connection method                       | Clamping yoke connection |
| Mounting onto the PCB                      | THT solder connection       | Conductor outlet direction                   | 135°                     |
| Pitch in mm (P)                            | 5.08 mm                     | Pitch in inches (P)                          | 0.2 inch                 |
| Number of poles                            | 8                           | Fitted by customer                           | Yes                      |
| Max. adjacent poles per row                | 24                          | Solder pin length (l)                        | 3.5 mm                   |
| Solder pin dimensions                      | 0.95 x 0.8 mm               | Solder eyelet hole diameter (D)              | 1.3 mm                   |
| Solder eyelet hole diameter tolerance (D)+ | 0, 1 mm                     | Number of solder pins per pole               | 1                        |
| Screwdriver blade                          | 0.6 x 3.5                   | Screwdriver blade standard                   | DIN 5264                 |
| Tightening torque, min.                    | 0.4 Nm                      | Tightening torque, max.                      | 0.5 Nm                   |
| Clamping screw                             | M 2.5                       | Stripping length                             | 6 mm                     |
| L1 in mm                                   | 35.56 mm                    | L1 in inches                                 | 1.4 inch                 |
| Touch-safe protection acc. to DIN VDE 0470 | IP 20                       | Touch-safe protection acc. to DIN VDE 57 106 | Safe from finger touch   |
| Volume resistance                          | 1.20 mΩ                     |  |                          |

**Material data**

|                                       |            |                                       |                            |
|---------------------------------------|------------|---------------------------------------|----------------------------|
| Insulating material                   | Wemid (PA) | Colour                                | orange                     |
| Colour chart (similar)                | RAL 2000   | Insulating material group             | I                          |
| Comparative Tracking Index (CTI)      | ≥ 600      | Insulation strength                   | ≥ 10 <sup>8</sup> Ω        |
| UL 94 flammability rating             | V-0        | GWIT                                  | 960 °C                     |
| GWFI                                  | 960 °C     | Contact material                      | Copper alloy               |
| Contact surface                       | tinned     | Coating                               | 1-3 μm Ni, 4-6 μm Sn       |
| Tinning type                          | matt       | Layer structure of solder connection  | 1-3 μm Ni / 4-6 μm Sn matt |
| Storage temperature, min.             | -25 °C     | Storage temperature, max.             | 50 °C                      |
| Max. relative humidity during storage | 70 %       | Operating temperature, min.           | -50 °C                     |
| Operating temperature, max.           | 120 °C     | Temperature range, installation, min. | -25 °C                     |
| Temperature range, installation, max. | 120 °C     |                                       |                            |

**Conductors suitable for connection**

|   |                      |
|---|----------------------|
| Clamping range, min.                            | 0.2 mm <sup>2</sup>  |
| Clamping range, max.                            | 2.5 mm <sup>2</sup>  |
| Wire connection cross section AWG, min.         | AWG 24               |
| Wire connection cross section AWG, max.         | AWG 14               |
| Solid, min. H05(07) V-U                         | 0.2 mm <sup>2</sup>  |
| Solid, max. H05(07) V-U                         | 2.5 mm <sup>2</sup>  |
| Flexible, min. H05(07) V-K                      | 0.2 mm <sup>2</sup>  |
| Flexible, max. H05(07) V-K                      | 2.5 mm <sup>2</sup>  |
| w. plastic collar ferrule, DIN 46228 pt 4, min. | 0.25 mm <sup>2</sup> |
| w. plastic collar ferrule, DIN 46228 pt 4, max. | 1.5 mm <sup>2</sup>  |
| w. wire end ferrule, DIN 46228 pt 1, min.       | 0.25 mm <sup>2</sup> |

Creation date April 30, 2020 6:58:08 PM CEST

## OMNIMATE Signal - series LM LM 5.08/08/135 3.5SN OR BX

**Weidmüller Interface GmbH & Co. KG**  
Klingenbergstraße 26  
D-32758 Detmold  
Germany  
Fon: +49 5231 14-0  
Fax: +49 5231 14-292083  
www.weidmueller.com

## Technical data

|   |  |                              |                            |      |
|---|--|------------------------------|----------------------------|------|
| w. wire end ferrule, DIN 46228 pt 1, max.       | 1.5 mm <sup>2</sup>  |                              |                            |      |
| Plug gauge in accordance with EN 60999 a x b; ø | 2.4 mm x 1.5 mm; 1.9mm   |                              |                            |      |
| Clampable conductor                             | Cross-section for conductor connection   | Type                         | fine-wired                 |      |
|   |  | nominal                      | 0.5 mm <sup>2</sup>        |      |
|   | wire end ferrule   | Stripping length             | nominal                    | 8 mm |
|   |  | Recommended wire-end ferrule | <a href="#">H0.5/12 OR</a> |      |
|   |  | Stripping length             | nominal                    | 6 mm |
|   |  | Recommended wire-end ferrule | <a href="#">H0.5/6</a>     |      |
|   | Cross-section for conductor connection   | Type                         | fine-wired                 |      |
|   |  | nominal                      | 0.75 mm <sup>2</sup>       |      |
|   | wire end ferrule   | Stripping length             | nominal                    | 8 mm |
|   |  | Recommended wire-end ferrule | <a href="#">H0.75/12 W</a> |      |
|   |  | Stripping length             | nominal                    | 6 mm |
|   |  | Recommended wire-end ferrule | <a href="#">H0.75/6</a>    |      |
|   | Cross-section for conductor connection   | Type                         | fine-wired                 |      |
|   |  | nominal                      | 1 mm <sup>2</sup>          |      |
|   | wire end ferrule   | Stripping length             | nominal                    | 8 mm |
|   |  | Recommended wire-end ferrule | <a href="#">H1.0/12 GE</a> |      |
|   |  | Stripping length             | nominal                    | 6 mm |
|   |  | Recommended wire-end ferrule | <a href="#">H1.0/6</a>     |      |
|   | Cross-section for conductor connection   | Type                         | fine-wired                 |      |
|   |  | nominal                      | 0.25 mm <sup>2</sup>       |      |
| wire end ferrule                                | Stripping length   | nominal                      | 8 mm                       |      |
|   | Recommended wire-end ferrule   | <a href="#">H0.25/10 HBL</a> |                            |      |
|   | Stripping length   | nominal                      | 5 mm                       |      |
|   | Recommended wire-end ferrule   | <a href="#">H0.25/5</a>      |                            |      |
| Cross-section for conductor connection          | Type   | fine-wired                   |                            |      |
|   | nominal  | 0.34 mm <sup>2</sup>         |                            |      |
| wire end ferrule                                | Stripping length   | nominal                      | 8 mm                       |      |
|   | Recommended wire-end ferrule   | <a href="#">H0.34/10 TK</a>  |                            |      |
| Reference text                                  | Length of ferrules is to be chosen depending on the product and the rated voltage., The outside diameter of the plastic collar should not be larger than the pitch (P) |                              |                            |      |
| Max. clamping range                             | 2.5 mm <sup>2</sup>  |                              |                            |      |

### Rated data acc. to IEC

|   |                        |   |                   |
|---|------------------------|---|-------------------|
| tested acc. to standard   | IEC 60664-1, IEC 61984 | Rated current, min. number of poles (Tu=20°C)                         | 17.5 A            |
| Rated current, max. number of poles (Tu=20°C)                             | 16 A                   | Rated current, min. number of poles (Tu=40°C)                         | 17.5 A            |
| Rated current, max. number of poles (Tu=40°C)                             | 14.2 A                 | Rated voltage for surge voltage class / pollution degree II/2         | 630 V             |
| Rated voltage for surge voltage class / pollution degree III/2            | 320 V                  | Rated voltage for surge voltage class / pollution degree III/3        | 250 V             |
| Rated impulse voltage for surge voltage class/ pollution degree II/2      | 4 kV                   | Rated impulse voltage for surge voltage class/ pollution degree III/2 | 4 kV              |
| Rated impulse voltage for surge voltage class/ contamination degree III/3 | 4 kV                   | Short-time withstand current resistance                               | 3 x 1s with 120 A |

**OMNIMATE Signal - series LM**  
**LM 5.08/08/135 3.5SN OR BX**

**Weidmüller Interface GmbH & Co. KG**  
 Klingenbergstraße 26  
 D-32758 Detmold  
 Germany  
 Fon: +49 5231 14-0  
 Fax: +49 5231 14-292083  
 www.weidmueller.com

**Technical data****Rated data acc. to CSA**

Institute (CSA)



Certificate No. (CSA)

200039-1815154

|                                   |  |
|-----------------------------------|--|
| Rated voltage (Use group B / CSA) | 300 V  |
| Rated current (Use group B / CSA) | 18 A   |
| Wire cross-section, AWG, min.     | AWG 24   |
| Reference to approval values      | Specifications are maximum values, details - see approval certificate. |

|                                   |        |
|-----------------------------------|--------|
| Rated voltage (Use group D / CSA) | 300 V  |
| Rated current (Use group D / CSA) | 10 A   |
| Wire cross-section, AWG, max.     | AWG 14 |

**Rated data acc. to UL 1059**

Institute (cURus)



Certificate No. (cURus)

E60693

|                                       |  |
|---------------------------------------|--|
| Rated voltage (Use group B / UL 1059) | 300 V  |
| Rated current (Use group B / UL 1059) | 15 A   |
| Wire cross-section, AWG, min.         | AWG 24   |
| Reference to approval values          | Specifications are maximum values, details - see approval certificate. |

|                                       |        |
|---------------------------------------|--------|
| Rated voltage (Use group D / UL 1059) | 300 V  |
| Rated current (Use group D / UL 1059) | 10 A   |
| Wire cross-section, AWG, max.         | AWG 14 |

**Packing**

|           |       |            |        |
|-----------|-------|------------|--------|
| Packaging | Box   | VPE length | 20 mm  |
| VPE width | 40 mm | VPE height | 120 mm |

**Classifications**

|             |             |            |             |
|-------------|-------------|------------|-------------|
| ETIM 6.0    | EC002643    | ETIM 7.0   | EC002643    |
| eClass 9.0  | 27-44-04-01 | eClass 9.1 | 27-44-04-01 |
| eClass 10.0 | 27-44-04-01 | UNSPSC     | 30-21-18-01 |

**Notes**

Notes

- Rated current related to rated cross-section & min. No. of poles.
- Wire end ferrule without plastic collar to DIN 46228/1
- Wire end ferrule with plastic collar to DIN 46228/4
- P on drawing = pitch
- Rated data refer only to the component itself. Clearance and creepage distances to other components are to be designed in accordance with the relevant application standards.

IPC conformity

Conformity: The products are developed, manufactured and delivered according international recognized standards and norms and comply with the assured properties in the data sheet resp. fulfill decorative properties in accordance with IPC-A-610 "Class 2". Further claims on the products can be evaluated on request.

**Data sheet**

**OMNIMATE Signal - series LM  
LM 5.08/08/135 3.5SN OR BX**

**Weidmüller Interface GmbH & Co. KG**  
Klingenbergstraße 26  
D-32758 Detmold  
Germany  
Fon: +49 5231 14-0  
Fax: +49 5231 14-292083  
www.weidmueller.com

**Technical data**

**Approvals**

Approvals



ROHS

Conform

**Downloads**

Approval/Certificate/Document of  
Conformity

[Declaration of the Manufacturer](#)

Brochure/Catalogue

- [FL DRIVES EN](#)
- [FL ANALO.SIGN.CONV. EN](#)
- [MB DEVICE MANUF. EN](#)
- [FL DRIVES DE](#)
- [CAT 2 PORTFOLIOGUIDE EN](#)
- [FL BUILDING SAFETY EN](#)
- [FL APPL LED LIGHTING EN](#)
- [FLIndustr.CONTROLS EN](#)
- [FL MACHINE SAFETY EN](#)
- [FL HEATING ELECTR EN](#)
- [FL APPL\\_INVERTER EN](#)
- [FL\\_BASE\\_STATION\\_EN](#)
- [FL ELEVATOR EN](#)
- [FL POWER SUPPLY EN](#)
- [FL 72H SAMPLE SER EN](#)
- [PO OMNIMATE EN](#)

Engineering Data

[EPLAN, WSCAD](#)

Engineering Data

[LM.zip](#)  
[STEP](#)

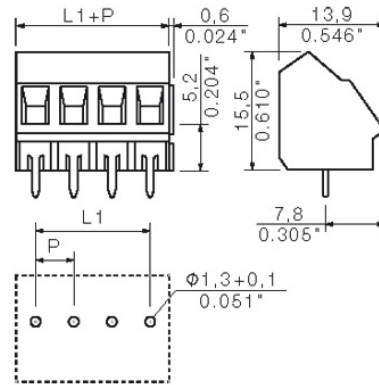
**Data sheet**

**OMNIMATE Signal - series LM  
LM 5.08/08/135 3.5SN OR BX**

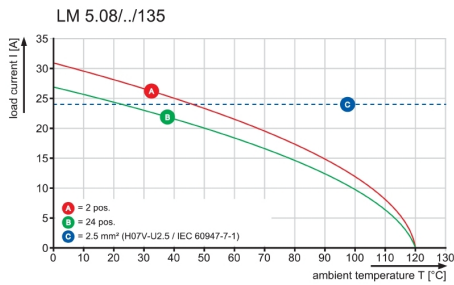
**Weidmüller Interface GmbH & Co. KG**  
 Klingenbergstraße 26  
 D-32758 Detmold  
 Germany  
 Fon: +49 5231 14-0  
 Fax: +49 5231 14-292083  
 www.weidmueller.com

**Drawings**

**Dimensional drawing**



**Graph**



**OMNIMATE Signal - series LM  
LM 5.08/08/135 3.5SN OR BX**

**Weidmüller Interface GmbH & Co. KG**  
Klingenbergstraße 26  
D-32758 Detmold  
Germany  
Fon: +49 5231 14-0  
Fax: +49 5231 14-292083  
www.weidmueller.com

**Accessories**

**Slotted screwdriver**

Slotted screwdriver with rounded blade SD DIN 5265, ISO 2380/2, output to DIN 5264, ISO 2380/1. ChromTop tip, SoftFinish grip



**General ordering data**

|            |                            |   |
|------------|----------------------------|---|
| Type       | SDS 0.6X3.5X100            | Version   |
| Order No.  | <a href="#">9008330000</a> | Screwdriver, Blade width (B): 3.5 mm, Blade length: 100 mm, Blade thickness (A): 0.6 mm |
| GTIN (EAN) | 4032248056286              |   |
| Qty.       | 1 pc(s).                   |   |

**Slotted screwdriver**

VDE insulated slot-head screwdriver, SDI DIN 7437, ISO 2380/2, drive output acc. to DIN 5264, ISO 2380/1. SoftFinish grip

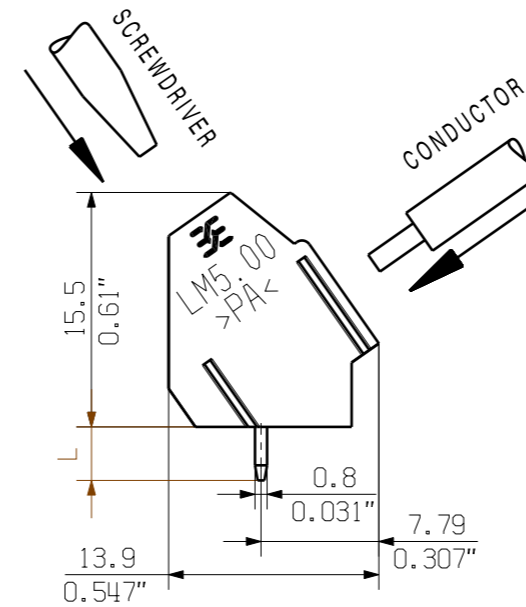
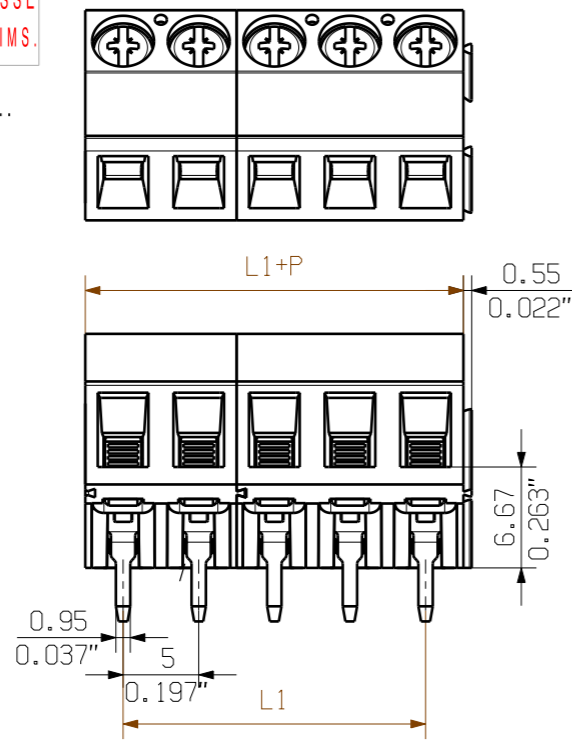


**General ordering data**

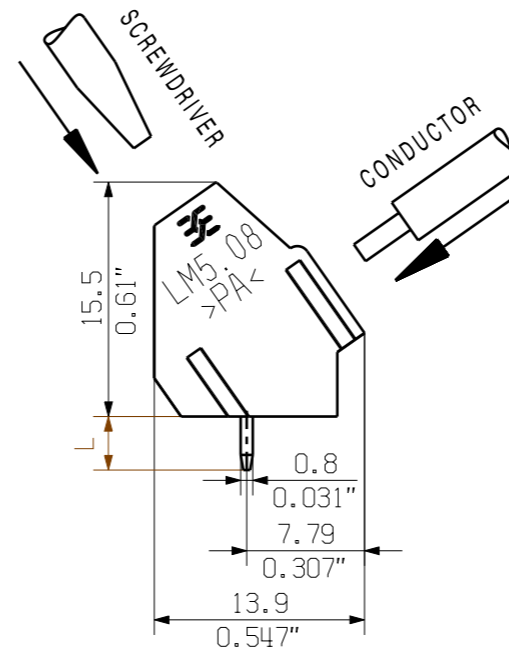
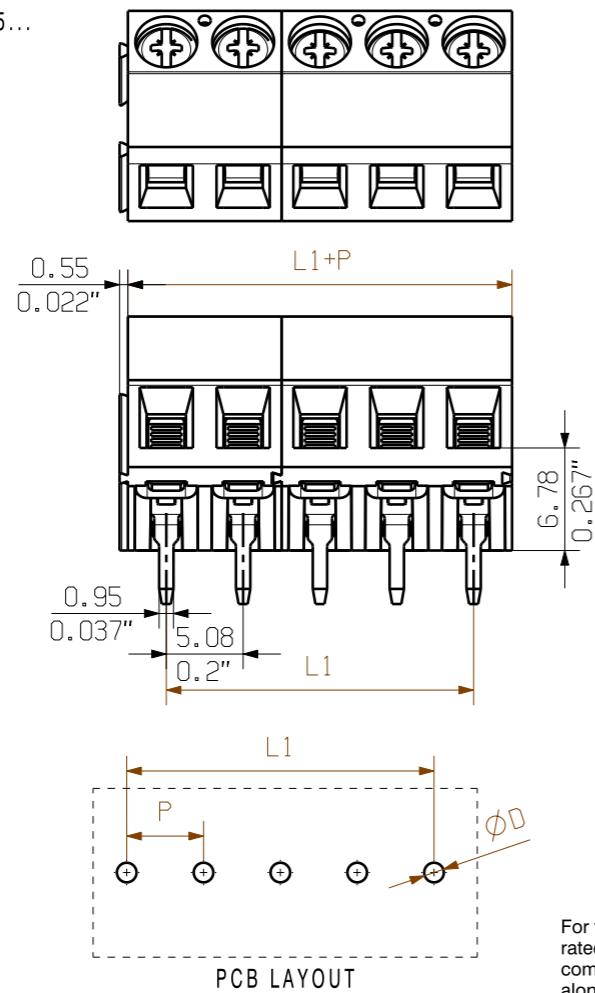
|            |                            |   |
|------------|----------------------------|---|
| Type       | SDIS 0.6X3.5X100           | Version   |
| Order No.  | <a href="#">9008390000</a> | Screwdriver, Blade width (B): 3.5 mm, Blade length: 100 mm, Blade thickness (A): 0.6 mm |
| GTIN (EAN) | 4032248056354              |   |
| Qty.       | 1 pc(s).                   |   |

MASSE OHNE TOLERANZ SIND KEINE PRUEFFMASSE  
 DIMS. WITHOUT TOLERANCE ARE NOT CONTROL DIMS.

LM 5.00/.../135...



LM 5.08/.../135...



For the mounting of PCBs, it should be noted that the rated data stated in the catalog relates only to the PCB components alone.  
 The necessary creepage and clearance paths must be observed in connection with the respective applicant in accordance to IEC 664 / VDE 0110.  
 The current-carrying capacity and pitch tolerance is to be determined according to DIN IEC 326 part 3 very fine.

Weidmüller PCB components are tested to the DIN EN 61984 standard, and are valid for its field of application. Provided that the components are used to the intended purpose, all requirements with respect to the occurring of electrical, mechanical, thermic and corrosive stress will be satisfied.

|    |                      |           |                      |           |
|----|----------------------|-----------|----------------------|-----------|
| 24 | 115.00               | 4.528     | 116.84               | 4.600     |
| 23 | 110.00               | 4.331     | 111.76               | 4.400     |
| 22 | 105.00               | 4.134     | 106.68               | 4.200     |
| 21 | 100.00               | 3.937     | 101.60               | 4.000     |
| 20 | 95.00                | 3.740     | 96.52                | 3.800     |
| 19 | 90.00                | 3.543     | 91.44                | 3.600     |
| 18 | 85.00                | 3.346     | 86.36                | 3.400     |
| 17 | 80.00                | 3.150     | 81.28                | 3.200     |
| 16 | 75.00                | 2.953     | 76.20                | 3.000     |
| 15 | 70.00                | 2.756     | 71.12                | 2.800     |
| 14 | 65.00                | 2.559     | 66.04                | 2.600     |
| 13 | 60.00                | 2.362     | 60.96                | 2.400     |
| 12 | 55.00                | 2.165     | 55.88                | 2.200     |
| 11 | 50.00                | 1.969     | 50.80                | 2.000     |
| 10 | 45.00                | 1.772     | 45.72                | 1.800     |
| 9  | 40.00                | 1.575     | 40.64                | 1.600     |
| 8  | 35.00                | 1.378     | 35.56                | 1.400     |
| 7  | 30.00                | 1.181     | 30.48                | 1.200     |
| 6  | 25.00                | 0.984     | 25.40                | 1.000     |
| 5  | 20.00                | 0.787     | 20.32                | 0.800     |
| 4  | 15.00                | 0.591     | 15.24                | 0.600     |
| 3  | 10.00                | 0.394     | 10.16                | 0.400     |
| 2  | 5.00                 | 0.197     | 5.08                 | 0.200     |
| N  | L1 [mm]              | L1 [inch] | L1 [mm]              | L1 [inch] |
|    | P=5.00 mm, 0.197inch |           | P=5.08mm, 0.200 inch |           |

|                  |  |                                |        |                                     |  |
|------------------|--|--------------------------------|--------|-------------------------------------|--|
| MAX. NRN./NOS. ? |  | 59845/5<br>13.05.13 XIANG_K 00 |        | CAT.NO.: .                          |  |
| MODIFICATION     |  | Weidmüller                     |        | C 41710 08                          |  |
| DRAWN            |  | DATE                           | NAME   | DRAWING NO. ISSUE NO.               |  |
| RESPONSIBLE      |  | 31.03.2005                     | XU_S   | SHEET 01 OF 03 SHEETS               |  |
| CHECKED          |  | 14.05.2013                     | ZHOU_N | LM 5.../.../135 ...                 |  |
| APPROVED         |  |                                | XU_S   | LEITERPLATTENKLEMME<br>PCB TERMINAL |  |
| SCALE: 2/1       |  | PRODUCT FILE: LM               |        | 7065                                |  |
| SUPERSEDES: .    |  |                                |        |                                     |  |

WEITERGABE SOWIE VERVIELFÄLTIGUNG DIESES DOKUMENTS, VERWERTUNG UND MITTEILUNG SEINES INHALTS SIND VERBOTEN, SOWEIT NICHT AUSDRUECKLICH GESTATTET.  
 ZUWIDERHANDLUNGEN VERPFLICHTEN ZU SCHADENERSATZ. ALLE RECHTE FUER DEN FALL DER PATENT-, GEBRAUCHSMUSTER- ODER GESCHMACKSMUSTERREINTRAGUNG VORBEHALTEN.  
 THE REPRODUCTION, DISTRIBUTION AND UTILIZATION OF THIS DOCUMENT AS WELL AS THE COMMUNICATION OF ITS CONTENTS TO OTHERS WITHOUT EXPLICIT AUTHORIZATION IS PROHIBITED.  
 OFFENDERS WILL BE HELD LIABLE FOR THE PAYMENT OF DAMAGES. WEIDMUELLER EXCLUSIVELY RESERVES THE RIGHT TO FILE FOR PATENTS, UTILITY MODELS OR DESIGNS.  
 © WEIDMUELLER INTERFACE GmbH & Co.KG



## Recommended wave soldering profiles

**Weidmüller Interface GmbH & Co. KG**  
 Klingenbergstraße 16  
 D-32758 Detmold  
 Germany  
 Fon: +49 5231 14-0  
 Fax: +49 5231 14-292083  
 www.weidmueller.com

### Single Wave:



### Double Wave:



### Wave soldering profiles

Wired connection elements should be processed in accordance with the DIN EN 61760-1 standard. We have included two recommendations for practical wave soldering profiles, with which Weidmüller PCB terminals and connectors are qualified.

When choosing a suitable profile for your application, the following factors also need to be considered:

- PCB thickness
- Proportion of Cu in the layers
- Single/double-sided assembly
- Product range
- Heating and cooling rates

The single and double wave profiles each indicate the recommended operating range, including the maximum soldering temperature of 260°C. In practice, the maximum soldering temperature is quite often well below the above maximum profile.