

MPC (polycarbonate empty enclosure) MPC 07/12/07 TRSP

Weidmüller Interface GmbH & Co. KG
Klingenbergstraße 26
D-32758 Detmold
Germany
Fon: +49 5231 14-0
Fax: +49 5231 14-292083
www.weidmueller.com



Small and medium-sized polycarbonate housings The polycarbonate housings of the MPC series are ideal for building into electrical, electromechanical and pneumatic devices as well as PCBs. The enclosures are used in situations with extreme mechanical and chemical conditions.

Features:

- 9 sizes in 2 versions
- grey or transparent cover
- cover with lead-seal holes
- Mounting holes outside the seal area - receptacle threads for rail mounting, mounting plates and circuit board
- Comprehensive accessories Weidmüller can manufacture and supply the housing to match customer specifications, fitted with all necessary terminals and cable glands.

General ordering data

Type	MPC 07/12/07 TRSP
Order No.	9535180000
Version	MPC (polycarbonate empty enclosure), Empty enclosure, Height: 75 mm, Width: 125 mm, Depth: 75 mm, Material: Polycarbonate, Light Grey, Transparent
GTIN (EAN)	4032248009558
Qty.	1 pc(s).

**MPC (polycarbonate empty enclosure)
MPC 07/12/07 TRSP**

Weidmüller Interface GmbH & Co. KG
 Klingenbergstraße 26
 D-32758 Detmold
 Germany
 Fon: +49 5231 14-0
 Fax: +49 5231 14-292083
 www.weidmueller.com

Technical data**Dimensions and weights**

Width	125 mm	Width (inches)	4.921 inch
Height	75 mm	Height (inches)	2.953 inch
Depth	75 mm	Depth (inches)	2.953 inch
Weight	209 g	Net weight	214 g

Cable glands, right

M12	4	M16	3
M20	3		

Cable glands, top/bottom

M12	1	M16	1
M20	1		

General information

Areas of use	Building systems and technology, Transportation, Packaging industry, Machine construction	Torque for lid screws	0.8 Nm
Material	Polycarbonate	Seal material	Polyurethane
Operating temperature, min.	-50 °C	Operating temperature, max.	130 °C
Protection degree	IP66, IP67	Enclosure attachment	Holes 4.5 mm
Lid attachment	4 polyamide crosshead screws	Integral fixing	thanks to self-tapping screws

General information on accessories

Material	Polycarbonate
----------	---------------

horizontal assembly

WDU 10 / ZDU 10	1x6	WDU 2,5 / ZDU 2,5 / IDU 2,5	1x13
WDU 4 / ZDU 4	1x11	WDU 6 / ZDU 6	1x8

vertical assembly

WDU 10 / ZDU 10	1x6	WDU 2,5 / ZDU 2,5 / IDU 2,5	1x13
WDU 4 / ZDU 4	1x11	WDU 6 / ZDU 6	1x8

Classifications

ETIM 6.0	EC000261	ETIM 7.0	EC000261
eClass 9.0	27-18-01-01	eClass 9.1	27-18-92-90
eClass 10.0	27-18-01-01	UNSPSC	31-26-15-02

Approvals

Approvals



ROHS

Conform

Creation date April 30, 2020 7:38:45 PM CEST

Catalogue status 17.04.2020 / We reserve the right to make technical changes.

2

Data sheet**MPC (polycarbonate empty enclosure)
MPC 07/12/07 TRSP**

Weidmüller Interface GmbH & Co. KG
Klingenbergstraße 26
D-32758 Detmold
Germany
Fon: +49 5231 14-0
Fax: +49 5231 14-292083
www.weidmueller.com

Technical data**Downloads**

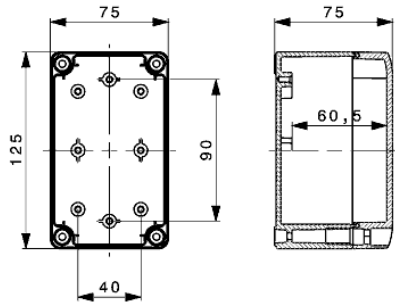
Brochure/Catalogue	CAT 5 ENCL 17/18 EN
Engineering Data	EPLAN, WSCAD
Engineering Data	STEP

Data sheet

**MPC (polycarbonate empty enclosure)
MPC 07/12/07 TRSP**

Weidmüller Interface GmbH & Co. KG
Klingenbergstraße 26
D-32758 Detmold
Germany
Fon: +49 5231 14-0
Fax: +49 5231 14-292083
www.weidmueller.com

Drawings



**MPC (polycarbonate empty enclosure)
MPC 07/12/07 TRSP**

Weidmüller Interface GmbH & Co. KG
Klingenbergstraße 26
D-32758 Detmold
Germany
Fon: +49 5231 14-0
Fax: +49 5231 14-292083
www.weidmueller.com

Accessories
Klippon® POK earthing stud

Integrate, expand and customise - the perfect supplement to every application

The consistent structure of system accessories for the Klippon® POK enclosure range allows you to easily adapt the enclosure to meet the specific requirements of every application.

The range includes:

- Mounting plates
- Earthing plates
- Mounting feet

Our assembly service includes the delivery of the enclosure ready to be connected and suitable for every application.

General ordering data

Type	PEBZ M10 S4 SET	Version
Order No.	1283440000	Klippon POK (polyester empty enclosure), Earthing stud,
GTIN (EAN)	4050118073362	Miscellaneous, Material: Stainless steel 1.4404 (316L)
Qty.	1 pc(s).	
Type	PEBZ M6 BR SET	Version
Order No.	1277250000	Klippon POK (polyester empty enclosure), Earthing stud,
GTIN (EAN)	4050118067149	Miscellaneous, Material: Brass
Qty.	1 pc(s).	
Type	PEBZ M6 S4 SET	Version
Order No.	1283430000	Klippon POK (polyester empty enclosure), Earthing stud,
GTIN (EAN)	4050118073607	Miscellaneous, Material: Stainless steel 1.4404 (316L)
Qty.	1 pc(s).	
Type	PEBZ M10 BR SET	Version
Order No.	1277220000	Klippon POK (polyester empty enclosure), Earthing stud,
GTIN (EAN)	4050118067019	Miscellaneous, Material: Brass
Qty.	1 pc(s).	

**MPC (polycarbonate empty enclosure)
MPC 07/12/07 TRSP**

Weidmüller Interface GmbH & Co. KG
Klingenbergstraße 26
D-32758 Detmold
Germany
Fon: +49 5231 14-0
Fax: +49 5231 14-292083
www.weidmueller.com

Accessories

Mounting foot

MPC series, external fixing lugs, set of 4



General ordering data

Type	MF MPC	Version
Order No.	953560000	MPC (polycarbonate empty enclosure), Mounting foot, Fixing lugs,
GTIN (EAN)	4032248009381	Material: Plastic
Qty.	1 pc(s).	

Hinge

MPC series, hinges, set of 2



General ordering data

Type	HG MPC	Version
Order No.	953559000	MPC (polycarbonate empty enclosure), External joint, Hinge, Material:
GTIN (EAN)	4032248009329	Plastic
Qty.	1 pc(s).	

Data sheet

**MPC (polycarbonate empty enclosure)
MPC 07/12/07 TRSP**

Weidmüller Interface GmbH & Co. KG
Klingenbergstraße 26
D-32758 Detmold
Germany
Fon: +49 5231 14-0
Fax: +49 5231 14-292083
www.weidmueller.com

Accessories

TS 15

MPC series, accessories



General ordering data

Type	TS15X5 ST MPC0712 VER	Version
Order No.	8000037599	Rail, TS 15, Length: 64 mm, without slot, Steel, galvanized, chromium-plated
GTIN (EAN)	4050118653113	
Qty.	20 pc(s).	
Type	TS15X5 ST MPC1217 VER	Version
Order No.	8000037598	Rail, TS 15, Length: 60 mm, without slot, Steel, galvanized, chromium-plated
GTIN (EAN)	4050118653106	
Qty.	20 pc(s).	

Mounting plates

MPC series, mounting plates, 1.5 mm sheet steel, galvanized



General ordering data

Type	MP MPC 07/12	Version
Order No.	9535540000	MPC (polycarbonate empty enclosure), Mounting plate, Mounting plate, Material: Sheet steel, galvanized
GTIN (EAN)	4032248009268	
Qty.	10 pc(s).	

**MPC (polycarbonate empty enclosure)
MPC 07/12/07 TRSP**

Weidmüller Interface GmbH & Co. KG
Klingenbergstraße 26
D-32758 Detmold
Germany
Fon: +49 5231 14-0
Fax: +49 5231 14-292083
www.weidmueller.com

Accessories

Compensating Element



Pressure-compensation elements ensure good ventilation of the enclosure and prevent the build-up of condensation while maintaining the appropriate IP class of protection.

General ordering data

Type	DAE M12 PA LONG	Version
Order No.	1868570000	DAE (ventilation element), Compensating element, M 12, 10 mm,
GTIN (EAN)	4032248440429	IP66, IP68, IP69K, Polyamide 6
Qty.	10 pc(s).	
Type	DAE M12 SS	Version
Order No.	1868550000	DAE (ventilation element), Compensating element, M 12, 10 mm,
GTIN (EAN)	4032248440405	IP66, IP68, IP69K, Stainless steel 1.4305 (303)
Qty.	10 pc(s).	

Mounting screw

MPC series, mounting screw



General ordering data

Type	SC MPC	Version
Order No.	9535640000	MPC (polycarbonate empty enclosure), Mounting screw, Screws,
GTIN (EAN)	4032248009428	Material: Steel, galvanised
Qty.	100 pc(s).	