

MPC (polycarbonate empty enclosure) MPC 07/12/07 7035

Weidmüller Interface GmbH & Co. KG
Klingenbergstraße 26
D-32758 Detmold
Germany
Fon: +49 5231 14-0
Fax: +49 5231 14-292083
www.weidmueller.com



Small and medium-sized polycarbonate housings The polycarbonate housings of the MPC series are ideal for building into electrical, electromechanical and pneumatic devices as well as PCBs. The enclosures are used in situations with extreme mechanical and chemical conditions.

Features:

- 9 sizes in 2 versions
- grey or transparent cover
- cover with lead-seal holes
- Mounting holes outside the seal area - receptacle threads for rail mounting, mounting plates and circuit board
- Comprehensive accessories Weidmüller can manufacture and supply the housing to match customer specifications, fitted with all necessary terminals and cable glands.

General ordering data

| | |
|------------|---|
| Type | MPC 07/12/07 7035 |
| Order No. | 9535170000 |
| Version | MPC (polycarbonate empty enclosure), Empty enclosure, Height: 75 mm, Width: 125 mm, Depth: 75 mm, Material: Polycarbonate, Light Grey |
| GTIN (EAN) | 4032248009534 |
| Qty. | 1 pc(s). |

**MPC (polycarbonate empty enclosure)
MPC 07/12/07 7035**

Weidmüller Interface GmbH & Co. KG
 Klingenbergstraße 26
 D-32758 Detmold
 Germany
 Fon: +49 5231 14-0
 Fax: +49 5231 14-292083
 www.weidmueller.com

Technical data**Dimensions and weights**

| | | | |
|--------|--------|-----------------|------------|
| Width | 125 mm | Width (inches) | 4.921 inch |
| Height | 75 mm | Height (inches) | 2.953 inch |
| Depth | 75 mm | Depth (inches) | 2.953 inch |
| Weight | 209 g | Net weight | 214 g |

Cable glands, right

| | | | |
|-----|---|-----|---|
| M12 | 4 | M16 | 3 |
| M20 | 3 | | |

Cable glands, top/bottom

| | | | |
|-----|---|-----|---|
| M12 | 1 | M16 | 1 |
| M20 | 1 | | |

General information

| | | | |
|-----------------------------|---|-----------------------------|-------------------------------|
| Areas of use | Building systems and technology, Transportation, Packaging industry, Machine construction | Torque for lid screws | 0.8 Nm |
| Material | Polycarbonate | Seal material | Polyurethane |
| Operating temperature, min. | -50 °C | Operating temperature, max. | 130 °C |
| Protection degree | IP66, IP67 | Enclosure attachment | Holes 4.5 mm |
| Lid attachment | 4 polyamide crosshead screws | Integral fixing | thanks to self-tapping screws |

General information on accessories

| | |
|----------|---------------|
| Material | Polycarbonate |
|----------|---------------|

horizontal assembly

| | | | |
|-----------------|------|-----------------------------|------|
| WDU 10 / ZDU 10 | 1x6 | WDU 2,5 / ZDU 2,5 / IDU 2,5 | 1x13 |
| WDU 4 / ZDU 4 | 1x11 | WDU 6 / ZDU 6 | 1x8 |

vertical assembly

| | | | |
|-----------------|------|-----------------------------|------|
| WDU 10 / ZDU 10 | 1x6 | WDU 2,5 / ZDU 2,5 / IDU 2,5 | 1x13 |
| WDU 4 / ZDU 4 | 1x11 | WDU 6 / ZDU 6 | 1x8 |

Classifications

| | | | |
|-------------|-------------|------------|-------------|
| ETIM 6.0 | EC000261 | ETIM 7.0 | EC000261 |
| eClass 9.0 | 27-18-01-01 | eClass 9.1 | 27-18-92-90 |
| eClass 10.0 | 27-18-01-01 | UNSPSC | 31-26-15-02 |

Approvals

Approvals



ROHS

Conform

Creation date April 30, 2020 7:38:56 PM CEST

Catalogue status 17.04.2020 / We reserve the right to make technical changes.

2

Data sheet**MPC (polycarbonate empty enclosure)
MPC 07/12/07 7035****Weidmüller Interface GmbH & Co. KG**
Klingenbergstraße 26
D-32758 Detmold
Germany
Fon: +49 5231 14-0
Fax: +49 5231 14-292083
www.weidmueller.com**Technical data****Downloads**

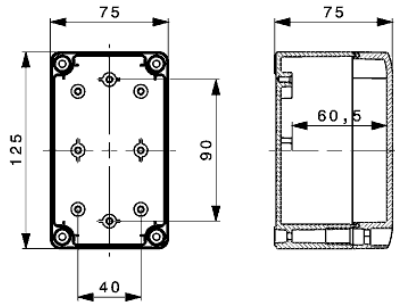
| | |
|--------------------|-------------------------------------|
| Brochure/Catalogue | CAT 5 ENCL 17/18 EN |
| Engineering Data | EPLAN, WSCAD |
| Engineering Data | STEP |

Data sheet

**MPC (polycarbonate empty enclosure)
MPC 07/12/07 7035**

Weidmüller Interface GmbH & Co. KG
Klingenbergstraße 26
D-32758 Detmold
Germany
Fon: +49 5231 14-0
Fax: +49 5231 14-292083
www.weidmueller.com

Drawings



**MPC (polycarbonate empty enclosure)
MPC 07/12/07 7035**

Weidmüller Interface GmbH & Co. KG
Klingenbergstraße 26
D-32758 Detmold
Germany
Fon: +49 5231 14-0
Fax: +49 5231 14-292083
www.weidmueller.com

Accessories
Klippon® POK earthing stud

Integrate, expand and customise - the perfect supplement to every application

The consistent structure of system accessories for the Klippon® POK enclosure range allows you to easily adapt the enclosure to meet the specific requirements of every application.

The range includes:

- Mounting plates
- Earthing plates
- Mounting feet

Our assembly service includes the delivery of the enclosure ready to be connected and suitable for every application.

General ordering data

| | | |
|------------|----------------------------|---|
| Type | PEBZ M10 S4 SET | Version |
| Order No. | 1283440000 | Klippon POK (polyester empty enclosure), Earthing stud, |
| GTIN (EAN) | 4050118073362 | Miscellaneous, Material: Stainless steel 1.4404 (316L) |
| Qty. | 1 pc(s). | |
| Type | PEBZ M6 BR SET | Version |
| Order No. | 1277250000 | Klippon POK (polyester empty enclosure), Earthing stud, |
| GTIN (EAN) | 4050118067149 | Miscellaneous, Material: Brass |
| Qty. | 1 pc(s). | |
| Type | PEBZ M6 S4 SET | Version |
| Order No. | 1283430000 | Klippon POK (polyester empty enclosure), Earthing stud, |
| GTIN (EAN) | 4050118073607 | Miscellaneous, Material: Stainless steel 1.4404 (316L) |
| Qty. | 1 pc(s). | |
| Type | PEBZ M10 BR SET | Version |
| Order No. | 1277220000 | Klippon POK (polyester empty enclosure), Earthing stud, |
| GTIN (EAN) | 4050118067019 | Miscellaneous, Material: Brass |
| Qty. | 1 pc(s). | |

Data sheet

**MPC (polycarbonate empty enclosure)
MPC 07/12/07 7035**

Weidmüller Interface GmbH & Co. KG
Klingenbergstraße 26
D-32758 Detmold
Germany
Fon: +49 5231 14-0
Fax: +49 5231 14-292083
www.weidmueller.com

Accessories

Mounting foot

MPC series, external fixing lugs, set of 4



General ordering data

| | | |
|------------|---------------------------|--|
| Type | MF MPC | Version |
| Order No. | 953560000 | MPC (polycarbonate empty enclosure), Mounting foot, Fixing lugs, |
| GTIN (EAN) | 4032248009381 | Material: Plastic |
| Qty. | 1 pc(s). | |

Hinge

MPC series, hinges, set of 2



General ordering data

| | | |
|------------|---------------------------|---|
| Type | HG MPC | Version |
| Order No. | 953559000 | MPC (polycarbonate empty enclosure), External joint, Hinge, Material: |
| GTIN (EAN) | 4032248009329 | Plastic |
| Qty. | 1 pc(s). | |

Data sheet

**MPC (polycarbonate empty enclosure)
MPC 07/12/07 7035**

Weidmüller Interface GmbH & Co. KG
Klingenbergstraße 26
D-32758 Detmold
Germany
Fon: +49 5231 14-0
Fax: +49 5231 14-292083
www.weidmueller.com

Accessories

TS 15

MPC series, accessories



General ordering data

| | | |
|------------|----------------------------|--|
| Type | TS15X5 ST MPC0712 VER | Version |
| Order No. | 8000037599 | Rail, TS 15, Length: 64 mm, without slot, Steel, galvanized, chromium-plated |
| GTIN (EAN) | 4050118653113 | |
| Qty. | 20 pc(s). | |
| Type | TS15X5 ST MPC1217 VER | Version |
| Order No. | 8000037598 | Rail, TS 15, Length: 60 mm, without slot, Steel, galvanized, chromium-plated |
| GTIN (EAN) | 4050118653106 | |
| Qty. | 20 pc(s). | |

Mounting plates

MPC series, mounting plates, 1.5 mm sheet steel, galvanized



General ordering data

| | | |
|------------|----------------------------|--|
| Type | MP MPC 07/12 | Version |
| Order No. | 9535540000 | MPC (polycarbonate empty enclosure), Mounting plate, Mounting plate, Material: Sheet steel, galvanized |
| GTIN (EAN) | 4032248009268 | |
| Qty. | 10 pc(s). | |

MPC (polycarbonate empty enclosure) MPC 07/12/07 7035

Weidmüller Interface GmbH & Co. KG
Klingenbergstraße 26
D-32758 Detmold
Germany
Fon: +49 5231 14-0
Fax: +49 5231 14-292083
www.weidmueller.com

Accessories

Compensating Element



Pressure-compensation elements ensure good ventilation of the enclosure and prevent the build-up of condensation while maintaining the appropriate IP class of protection.

General ordering data

| Type | DAE M12 PA LONG | Version |
|------------|----------------------------|---|
| Order No. | 1868570000 | DAE (ventilation element), Compensating element, M 12, 10 mm, |
| GTIN (EAN) | 4032248440429 | IP66, IP68, IP69K, Polyamide 6 |
| Qty. | 10 pc(s). | |
| Type | DAE M12 SS | Version |
| Order No. | 1868550000 | DAE (ventilation element), Compensating element, M 12, 10 mm, |
| GTIN (EAN) | 4032248440405 | IP66, IP68, IP69K, Stainless steel 1.4305 (303) |
| Qty. | 10 pc(s). | |

Mounting screw

MPC series, mounting screw



General ordering data

| Type | SC MPC | Version |
|------------|----------------------------|--|
| Order No. | 9535640000 | MPC (polycarbonate empty enclosure), Mounting screw, Screws, |
| GTIN (EAN) | 4032248009428 | Material: Steel, galvanised |
| Qty. | 100 pc(s). | |