

Klippon K (aluminium empty enclosure) KLIPPON K21 RAL7001

Weidmüller Interface GmbH & Co. KG
Klingenbergstraße 26
D-32758 Detmold
Germany
Fon: +49 5231 14-0
Fax: +49 5231 14-292083
www.weidmueller.com



The Klippon® brand has long stood for competence and quality in housings – particularly when turnkey, customer-specific solutions for standard industrial applications and applications in explosive risk zones are concerned.

Improved products that meet all application requirements: this was Weidmüller's aim when modernising and upgrading the Klippon® K enclosure series. No matter what kind of application the customer is planning; Weidmüller is able to provide a wide range of aluminium enclosures precisely fitting the customer's requirements.

- Available in two surface finishes: natural and powder-coated (RAL 7001)
- Available with moulded silicone or chloroprene gasket as standard
- Uniform Torx slotted screw head for 19 enclosure sizes
- Mounting holes outside of the gasket area
- High IP protection classes: IP66, IP67 and IP68
- Impact resistance of up to 7 (10) Joules
- The enclosures are approved according ATEX, IECEx, GOST Ex, GOST, cULus, Russian Maritime Register and Germanischer Lloyd as well as the empty enclosure standard.
- Alloy is resistant to salt water
- Standardised distributor enclosures with threaded holes and a variety of terminal configurations

General ordering data

Type	KLIPPON K21 RAL7001
Order No.	9529150000
Version	Klippon K (aluminium empty enclosure), Empty enclosure, Aluminium enclosure, Height: 80 mm, Width: 125 mm, Depth: 57 mm, Material: Aluminium AlSi12, Powder-coated, textured, Silver grey
GTIN (EAN)	4008190918057
Qty.	5 pc(s).

**Klippon K (aluminium empty enclosure)
KLIPPON K21 RAL7001**

Weidmüller Interface GmbH & Co. KG
 Klingenbergstraße 26
 D-32758 Detmold
 Germany
 Fon: +49 5231 14-0
 Fax: +49 5231 14-292083
 www.weidmueller.com

Technical data**Dimensions and weights**

Width	125 mm	Width (inches)	4.921 inch
Height	80 mm	Height (inches)	3.15 inch
Depth	57 mm	Depth (inches)	2.244 inch
Mounting dimension - width	113 mm	Mounting dimension - height	52 mm
Weight	400 g	Net weight	458 g

Environmental Product Compliance

REACH SVHC Lead 7439-92-1

Cable glands, left

M12	2	M16	2
M20	1		

Cable glands, right

M12	2	M16	2
M20	1		

Cable glands, top/bottom

M12	6	M16	4
M20	3	M25	2

Certificate numbers enclosure

Certificate No. (GERMLLOYD)	TAE00002SM	Certificate No. (MARITREG)	19.00108.272
Certificate no. (cULus)	E197061		

General information

Areas of use	Process industry, Transportation, Marine engineering, Packaging industry, Harbour facilities, Machine construction	Material thickness	4 mm
Material thickness of cover	2.5 mm	Material thickness of enclosure	4 mm
Torque for lid screws	2.5 Nm	Material	Aluminium AISi12
Seal material	Chloroprene	Surface finish	Powder-coated, textured
Operating temperature, min.	-40 °C	Operating temperature, max.	80 °C
Impact resistance	10.00 J	Protection degree	IP66, IP67, IP68
Note: protection class	IP68 (t=72h, h=1m)	Enclosure attachment	Holes 4 mm
Lid attachment	M4 torx stainless steel screws with slot	Integral fixing	Threaded holes M4

horizontal assembly

WDU 2,5 / ZDU 2,5 / IDU 2,5	1x15	WDU 4 / ZDU 4	1x12
-----------------------------	------	---------------	------

vertical assembly

WDU 2,5 / ZDU 2,5 / IDU 2,5	*	WDU 4 / ZDU 4	*
-----------------------------	---	---------------	---

Klippon K (aluminium empty enclosure) KLIPPON K21 RAL7001

Weidmüller Interface GmbH & Co. KG
Klingenbergstraße 26
D-32758 Detmold
Germany
Fon: +49 5231 14-0
Fax: +49 5231 14-292083
www.weidmueller.com

Technical data

Classifications

ETIM 6.0	EC000261	ETIM 7.0	EC000261
eClass 9.0	27-18-01-01	eClass 9.1	27-18-92-90
eClass 10.0	27-18-01-01	UNSPSC	31-26-15-02

Approvals

Approvals



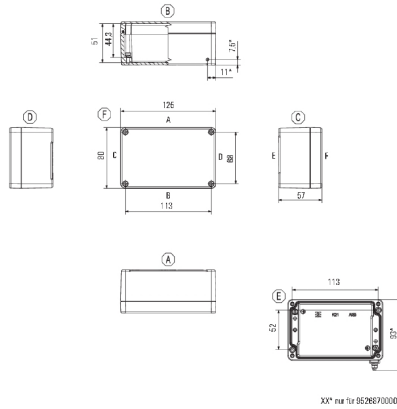
ROHS Conform

Downloads

Approval/Certificate/Document of Conformity	EU Declaration of Conformity - Klippon K Empty Enclosures - DoC DE PS2410_160412_001ISS01
Brochure/Catalogue	MB KLIPPON ENCL.TECN EN CAT 5 ENCL 17/18 EN FL RAILWAY 2014 EN
Engineering Data	EPLAN_WSCAD
Engineering Data	STEP
Tender specification	Klippon K21 RAL7001_9529150000_DE Klippon K21 RAL7001_9529150000_EN
User Documentation	MB KLIPPON ENCL.TECN DE Assembly guidelines - empty enclosures

**Klippon K (aluminium empty enclosure)
KLIPPON K21 RAL7001**

Weidmüller Interface GmbH & Co. KG
Klingenbergstraße 26
D-32758 Detmold
Germany
Fon: +49 5231 14-0
Fax: +49 5231 14-292083
www.weidmueller.com

Drawings**Dimensioned drawing**

**Klippon K (aluminium empty enclosure)
KLIPPON K21 RAL7001**

Weidmüller Interface GmbH & Co. KG
Klingenbergstraße 26
D-32758 Detmold
Germany
Fon: +49 5231 14-0
Fax: +49 5231 14-292083
www.weidmueller.com

Accessories
Klippon® K - Mounting plates


The Klippon® brand has long stood for competence and quality in housings – particularly when turnkey, customer-specific solutions for standard industrial applications and applications in explosive risk zones are concerned. Improved products that meet all application requirements: this was Weidmüller's aim when modernising and upgrading the Klippon® K enclosure series. No matter what kind of application the customer is planning; Weidmüller is able to provide a wide range of aluminium enclosures precisely fitting the customer's requirements.

General ordering data

Type	MOPL K21 STAHL	Version
Order No.	3073020000	Klippon K (aluminium empty enclosure), Mounting plate, Mounting
GTIN (EAN)	4008190857950	plate, Height: 67 mm, Width: 114 mm, Depth: 2 mm, Material: Sheet
Qty.	1 pc(s).	steel, galvanized, galvanized, silver

Klippon® K - Hinge


The Klippon® brand has long stood for competence and quality in housings – particularly when turnkey, customer-specific solutions for standard industrial applications and applications in explosive risk zones are concerned. Improved products that meet all application requirements: this was Weidmüller's aim when modernising and upgrading the Klippon® K enclosure series. No matter what kind of application the customer is planning; Weidmüller is able to provide a wide range of aluminium enclosures precisely fitting the customer's requirements.

General ordering data

Type	HG K+POK	Version
Order No.	1580360000	Klippon POK (polyester empty enclosure), External joint, Hinge, silver
GTIN (EAN)	4008190203542	
Qty.	1 pc(s).	

**Klippon K (aluminium empty enclosure)
KLIPPON K21 RAL7001**

Weidmüller Interface GmbH & Co. KG
 Klingenbergstraße 26
 D-32758 Detmold
 Germany
 Fon: +49 5231 14-0
 Fax: +49 5231 14-292083
 www.weidmueller.com

Accessories
Spacer


For many years, the name Klippon® has stood for competence and quality in enclosures. The Klippon® EBi industrial enclosure series protects your components reliably if they are used in moderate environmental conditions and is designed for everyday applications. With the ever-increasing need for individual application solutions, the Klippon® EBi with its high degree of protection and impact resistance is ideally suited to your needs. Our standard product is the Klippon® EBi QL – with hinged door and double-bit key lock. A variant with mounting screws is also available, but is only manufactured on request and is subject to a minimum order quantity. DNV GL and cULus approvals are also available on request.

General ordering data

Type	SP M6 20 MSZN	Version
Order No.	3896200000	Klippon EBi (Essential Box industrial), Spacer, silver
GTIN (EAN)	4008190850234	
Qty.	2 pc(s).	
Type	SP M6 15 MSZN	Version
Order No.	3896100000	Klippon EBi (Essential Box industrial), Spacer, silver
GTIN (EAN)	4008190857851	
Qty.	2 pc(s).	
Type	SP M6 30 MSZN	Version
Order No.	3896300000	Klippon EBi (Essential Box industrial), Spacer, silver
GTIN (EAN)	4008190850241	
Qty.	2 pc(s).	

TS 15


The Klippon® brand has long stood for competence and quality in housings – particularly when turnkey, customer-specific solutions for standard industrial applications and applications in explosive risk zones are concerned. Improved products that meet all application requirements: this was Weidmüller's aim when modernising and upgrading the Klippon® K enclosure series. No matter what kind of application the customer is planning; Weidmüller is able to provide a wide range of aluminium enclosures precisely fitting the customer's requirements.

General ordering data

Type	TS15X5 ST K21	Version
Order No.	8000003886	Rail, TS 15, Length: 114 mm, with slot, Steel, galvanized, chromium-plated
GTIN (EAN)	4050118627930	
Qty.	20 pc(s).	

**Klippon K (aluminium empty enclosure)
KLIPPON K21 RAL7001**

Weidmüller Interface GmbH & Co. KG
Klingenbergstraße 26
D-32758 Detmold
Germany
Fon: +49 5231 14-0
Fax: +49 5231 14-292083
www.weidmueller.com

Accessories

TS 35



The Klippon® brand has long stood for competence and quality in housings – particularly when turnkey, customer-specific solutions for standard industrial applications and applications in explosive risk zones are concerned. Improved products that meet all application requirements: this was Weidmüller's aim when modernising and upgrading the Klippon® K enclosure series. No matter what kind of application the customer is planning; Weidmüller is able to provide a wide range of aluminium enclosures precisely fitting the customer's requirements.

General ordering data

Type	TS35X7.5 ST K21	Version
Order No.	8000003897	Rail, TS 35, TS 35 x 7.5, Length: 114 mm, without slot, Steel,
GTIN (EAN)	4050118652598	galvanized, chromium-plated
Qty.	20 pc(s).	