

## Klippon K (aluminium empty enclosure) KLIPPON K2 RAL7001

**Weidmüller Interface GmbH & Co. KG**  
Klingenbergstraße 26  
D-32758 Detmold  
Germany  
Fon: +49 5231 14-0  
Fax: +49 5231 14-292083  
www.weidmueller.com



The Klippon® brand has long stood for competence and quality in housings – particularly when turnkey, customer-specific solutions for standard industrial applications and applications in explosive risk zones are concerned.

Improved products that meet all application requirements: this was Weidmüller's aim when modernising and upgrading the Klippon® K enclosure series. No matter what kind of application the customer is planning; Weidmüller is able to provide a wide range of aluminium enclosures precisely fitting the customer's requirements.

- Available in two surface finishes: natural and powder-coated (RAL 7001)
- Available with moulded silicone or chloroprene gasket as standard
- Uniform Torx slotted screw head for 19 enclosure sizes
- Mounting holes outside of the gasket area
- High IP protection classes: IP66, IP67 and IP68
- Impact resistance of up to 7 (10) Joules
- The enclosures are approved according ATEX, IECEx, GOST Ex, GOST, cULus, Russian Maritime Register and Germanischer Lloyd as well as the empty enclosure standard.
- Alloy is resistant to salt water
- Standardised distributor enclosures with threaded holes and a variety of terminal configurations

### General ordering data

Type	KLIPPON K2 RAL7001
Order No.	<a href="#">9529140000</a>
Version	Klippon K (aluminium empty enclosure), Empty enclosure, Aluminium enclosure, Height: 70 mm, Width: 100 mm, Depth: 45 mm, Material: Aluminium AlSi12, Powder-coated, textured, Silver grey
GTIN (EAN)	4008190918040
Qty.	10 pc(s).

**Klippon K (aluminium empty enclosure)  
KLIPPON K2 RAL7001**

**Weidmüller Interface GmbH & Co. KG**  
 Klingenbergstraße 26  
 D-32758 Detmold  
 Germany  
 Fon: +49 5231 14-0  
 Fax: +49 5231 14-292083  
 www.weidmueller.com

**Technical data****Dimensions and weights**

Width	100 mm	Width (inches)	3.937 inch
Height	70 mm	Height (inches)	2.756 inch
Depth	45 mm	Depth (inches)	1.772 inch
Mounting dimension - width	88 mm	Mounting dimension - height	42 mm
Weight	280 g	Net weight	309.9 g

**Environmental Product Compliance**

REACH SVHC	Lead 7439-92-1
------------	----------------

**Cable glands, left**

M12	1	M16	1
-----	---	-----	---

**Cable glands, right**

M12	1	M16	1
-----	---	-----	---

**Cable glands, top/bottom**

M12	3	M16	3
M20	2		

**Certificate numbers enclosure**

Certificate No. (GERMLLOYD)	TAE00002SM	Certificate No. (MARITREG)	19.00108.272
Certificate no. (cULus)	E197061		

**General information**

Areas of use	Process industry, Transportation, Marine engineering, Packaging industry, Harbour facilities, Machine construction	Material thickness	3.5 mm
Material thickness of cover	3 mm	Material thickness of enclosure	3.5 mm
Torque for lid screws	2.5 Nm	Material	Aluminium AlSi12
Seal material	Chloroprene	Surface finish	Powder-coated, textured
Operating temperature, min.	-40 °C	Operating temperature, max.	80 °C
Impact resistance	10.00 J	Protection degree	IP66, IP67, IP68
Note: protection class	IP68 (t=72h, h=1m)	Enclosure attachment	Holes 4 mm
Lid attachment	M4 torx stainless steel screws with slot	Integral fixing	Threaded holes M4

**horizontal assembly**

WDU 2,5 / ZDU 2,5 / IDU 2,5	1x10
-----------------------------	------

**vertical assembly**

WDU 2,5 / ZDU 2,5 / IDU 2,5	*	WDU 4 / ZDU 4	*
-----------------------------	---	---------------	---

## Klippon K (aluminium empty enclosure) KLIPPON K2 RAL7001

**Weidmüller Interface GmbH & Co. KG**  
Klingenbergstraße 26  
D-32758 Detmold  
Germany  
Fon: +49 5231 14-0  
Fax: +49 5231 14-292083  
www.weidmueller.com

## Technical data

### Classifications

ETIM 6.0	EC000261	ETIM 7.0	EC000261
eClass 9.0	27-18-01-01	eClass 9.1	27-18-92-90
eClass 10.0	27-18-01-01	UNSPSC	31-26-15-02

### Approvals

Approvals



ROHS

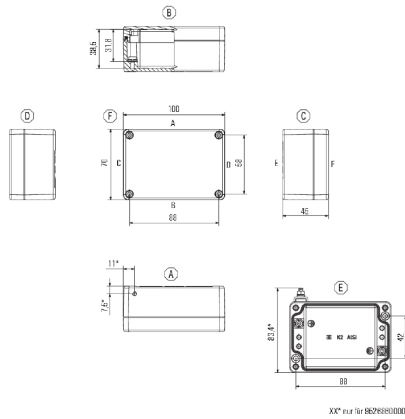
Conform

### Downloads

Approval/Certificate/Document of Conformity	<a href="#">EU Declaration of Conformity - Klippon K Empty Enclosures - DoC DE PS2410_160412_001ISS01</a>
Brochure/Catalogue	<a href="#">MB KLIPPON ENCL.TECN EN</a> <a href="#">CAT 5 ENCL 17/18 EN</a> <a href="#">FL RAILWAY 2014 EN</a>
Engineering Data	<a href="#">EPLAN_WSCAD</a>
Engineering Data	<a href="#">STEP</a>
Tender specification	<a href="#">Klippon K2 RAL7001_9529140000_DE</a> <a href="#">Klippon K2 RAL7001_9529140000_EN</a>
User Documentation	<a href="#">MB KLIPPON ENCL.TECN DE</a> <a href="#">Assembly guidelines - empty enclosures</a>

**Klippon K (aluminium empty enclosure)  
KLIPPON K2 RAL7001**

**Weidmüller Interface GmbH & Co. KG**  
Klingenbergstraße 26  
D-32758 Detmold  
Germany  
Fon: +49 5231 14-0  
Fax: +49 5231 14-292083  
www.weidmueller.com

**Drawings****Dimensioned drawing**

**Klippon K (aluminium empty enclosure)  
KLIPPON K2 RAL7001**

**Weidmüller Interface GmbH & Co. KG**  
Klingenbergstraße 26  
D-32758 Detmold  
Germany  
Fon: +49 5231 14-0  
Fax: +49 5231 14-292083  
www.weidmueller.com

**Accessories**
**Klippon® K - Mounting plates**


The Klippon® brand has long stood for competence and quality in housings – particularly when turnkey, customer-specific solutions for standard industrial applications and applications in explosive risk zones are concerned. Improved products that meet all application requirements: this was Weidmüller's aim when modernising and upgrading the Klippon® K enclosure series. No matter what kind of application the customer is planning; Weidmüller is able to provide a wide range of aluminium enclosures precisely fitting the customer's requirements.

**General ordering data**

Type	MOPL K2 N FE	Version
Order No.	<a href="#">1905270000</a>	Klippon K (aluminium empty enclosure), Mounting plate, Mounting
GTIN (EAN)	4032248524433	plate, Height: 52 mm, Width: 91 mm, Depth: 3 mm, Material: Sheet
Qty.	1 pc(s).	steel, galvanized, galvanized, silver

**TS 15**


The Klippon® brand has long stood for competence and quality in housings – particularly when turnkey, customer-specific solutions for standard industrial applications and applications in explosive risk zones are concerned. Improved products that meet all application requirements: this was Weidmüller's aim when modernising and upgrading the Klippon® K enclosure series. No matter what kind of application the customer is planning; Weidmüller is able to provide a wide range of aluminium enclosures precisely fitting the customer's requirements.

**General ordering data**

Type	TS15X5 ST K2	Version
Order No.	<a href="#">8000003884</a>	Rail, TS 15, Length: 90 mm, without slot, Steel, galvanized, chromium-
GTIN (EAN)	4050118652505	plated
Qty.	20 pc(s).	