

SAI-6-F 5P PUR 5M**Weidmüller Interface GmbH & Co. KG**

Klingenbergstraße 26

D-32758 Detmold

Germany

Fon: +49 5231 14-0

Fax: +49 5231 14-292083

www.weidmueller.com



M12 distributors are available in various versions. The 4, 6 or 8 M12 slots are in 4 or 5 pole design. The group outlet is designed as a fixed cable version, hood version for connection by the user, or with M23. Special versions are also available. For instance, there are 1-to-1 distributors for use with any connection types, or distributors approved for Ex Zone 1.

General ordering data

Type	SAI-6-F 5P PUR 5M
Order No.	9456610000
Version	Sensor-actuator passive distributor, M12, Fixed cable version, 5 m, Yes
GTIN (EAN)	4008 190304607
Qty.	1 pc(s).

Creation date May 1, 2020 1:05:26 AM CEST

Catalogue status 17.04.2020 / We reserve the right to make technical changes.

SAI-6-F 5P PUR 5M

Weidmüller Interface GmbH & Co. KG

Klingenbergstraße 26

D-32758 Detmold

Germany

Fon: +49 5231 14-0

Fax: +49 5231 14-292083

www.weidmueller.com

Technical data

Dimensions and weights

Height	25 mm	Height (inches)	0.984 inch
Depth	127 mm	Depth (inches)	5 inch
Net weight	738 g		

Temperatures

Operating temperature range, max.	80 °C	Operating temperature range, min.	-20 °C
Operating temperature, max.	80 °C	Operating temperature, min.	-20 °C
Operating temperature	-20 - 80°C		

Environmental Product Compliance

REACH SVHC	Lead 7439-92-1
------------	----------------

Connection data

Sheathing stripping length	100 mm	Distributor outlet	Fixed cable version
----------------------------	--------	--------------------	---------------------

Standards

Certificate No. (CSA)	53975-21	Certificate No. (cURus)	E141197
-----------------------	----------	-------------------------	---------

Electrical data

Rated voltage, min.	10 V	Rated voltage, max.	30 V
Test voltage	1 kV	Max. current-carrying capacity per slot	4 A
Total current	9 A	Current per signal	2 A
Electrical isolation available	No	Insulation strength	10 ⁹ Ω

General technical data

Plug-in station coding	A	Protection degree	IP68
Number of poles	5	Number of contact sockets	6
Connection thread	M12	Pollution severity	3
Fire behaviour	V-0	Plugging cycles	≤ 50
LED	Yes	LED initiator	Yes
LED colour for indicating operation	green	LED colour for I/O function	yellow

Material data

Housing main material	Pocan	Material of distributor	Plastic
Housing colour	grey, RAL 7032	Hood sealing material	Viton
Screw socket	Nickel-plated CuZn	Contact material	CuZn
Contact surface	Gold-plated	Contact carrier material	PBT (UL 94 V0)

Data sheet

SAI-6-F 5P PUR 5M

Weidmüller Interface GmbH & Co. KG
 Klingenbergstraße 26
 D-32758 Detmold
 Germany
 Fon: +49 5231 14-0
 Fax: +49 5231 14-292083
 www.weidmueller.com

Technical data

Technical data cable

Cable length	5 m	Suitable for cable carriers	Yes
Number of poles	5	Wire cross section	12 x 0.34 mm ² + 3 x 1.0 mm ²
O.D.	8.8 mm	Shielded	No
Colour coding	blue, brown, Green/yellow, white, green, yellow, grey, pink, red, grey / pink, red / blue, white / green, brown / green, white / yellow, Yellow / brown	Sheath material	PUR
Sheathing colour	black	Halogen	No
Bending radius, min., moving	10 x cable diameter	Bending cycles	2 Mio

Classifications

ETIM 6.0	EC002585	ETIM 7.0	EC002585
eClass 9.0	27-44-01-08	eClass 9.1	27-44-01-08
eClass 10.0	27-44-01-08	UNSPSC	30-21-18-01

Approvals

Approvals



ROHS Conform

Downloads

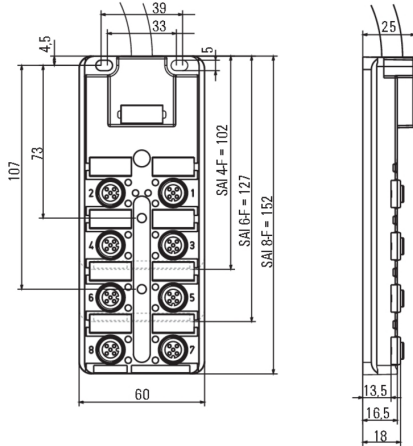
Brochure/Catalogue	CAT 8 SAI 15/16 EN FL FIELDWIRING EN
Engineering Data	WSCAD
Engineering Data	STEP

SAI-6-F 5P PUR 5M

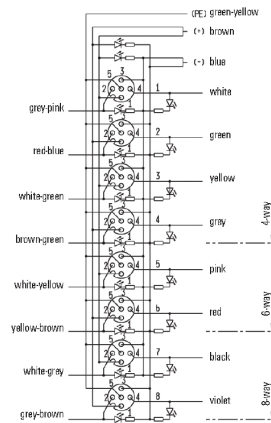
Weidmüller Interface GmbH & Co. KG
 Klingenbergstraße 26
 D-32758 Detmold
 Germany
 Fon: +49 5231 14-0
 Fax: +49 5231 14-292083
 www.weidmueller.com

Drawings

Dimensioned drawing



Wiring diagram



SAI-6-F 5P PUR 5M

Weidmüller Interface GmbH & Co. KG
 Klingenbergstraße 26
 D-32758 Detmold
 Germany
 Fon: +49 5231 14-0
 Fax: +49 5231 14-292083
 www.weidmueller.com

Accessories

Blank



ESG is the tried-and-tested marker in MultiCard format for use on many well-known electrical devices. The result is high-quality device marking with a high-contrast appearance.

Various types are available for devices from the following manufacturers:

- Siemens
- Télémecanique
- ABB
- Beckhoff
- Lumberg
- Tags for all-purpose usage; self-adhesive or clip-on tags, depending on the type

Advantages at a glance:

- Tags for universal usage, self-adhesive or clip-on tags, depending on type
- For aligned equipment, e.g. circuit breakers, we supply ESG markers for clipping onto tag rails
- Individual laser-quality printing according to specifications

For custom printing: Please send us a file of our labeling software M-Print PRO or M-Print PRO Online (without installation) for your labeling specifications.

Please note that these markers are not intended for printing with the SpeedMarking laser.

General ordering data

Type	ESG 9/20 MC NE WS	Version
Order No.	1609940000	ESG, Device markers x 20 mm, PA 66, Colour: white, pluggable
GTIN (EAN)	4008190203528	
Qty.	200 pc(s).	

SAI-6-F 5P PUR 5M

Weidmüller Interface GmbH & Co. KG
 Klingenbergstraße 26
 D-32758 Detmold
 Germany
 Fon: +49 5231 14-0
 Fax: +49 5231 14-292083
 www.weidmueller.com

Accessories

Tool



Tools for stripping the sheathing from uncut power lines and outlet lines, plus screwdrivers for installing Pick-to-Light components.

General ordering data

Type	SCREWTY SET -DM	Version
Order No.	1920000000	Tools, Bolting tool
GTIN (EAN)	4032248436859	
Qty.	1 pc(s).	

M12



Protective caps protect unassigned plug-in stations against external influences.

General ordering data

Type	SAI-SK-M12	Version
Order No.	9456050000	Protected component assemblies, Protective cap
GTIN (EAN)	4008190304058	
Qty.	30 pc(s).	