

**Industrial Ethernet  
IE-TO-LCD-MM**

**Weidmüller Interface GmbH & Co. KG**  
Klingenbergstraße 26  
D-32758 Detmold  
Germany  
Fon: +49 5231 14-0  
Fax: +49 5231 14-292083  
www.weidmueller.com



Mounting rail outlet, LC duplex junction design according to IEC 61754-20

**General ordering data**

|            |   |
|------------|---|
| Type       | IE-TO-LCD-MM  |
| Order No.  | <a href="#">8947010000</a>                                    |
| Version    | Mounting rail outlet, fibre-optic, LC Duplex, Multimode, IP20 |
| GTIN (EAN) | 4032248735020   |
| Qty.       | 10 pc(s).   |

Creation date May 1, 2020 4:50:22 AM CEST

Catalogue status 17.04.2020 / We reserve the right to make technical changes.

**Industrial Ethernet  
IE-TO-LCD-MM**

**Weidmüller Interface GmbH & Co. KG**  
Klingenbergstraße 26  
D-32758 Detmold  
Germany  
Fon: +49 5231 14-0  
Fax: +49 5231 14-292083  
www.weidmueller.com

**Technical data**

**Dimensions and weights**

Net weight 32.5 g

**Temperatures**

|                                       |                |                                       |        |
|---------------------------------------|----------------|---------------------------------------|--------|
| Operating temperature, max.           | 70 °C          | Operating temperature, min.           | -40 °C |
| Operating temperature                 | -40 °C...70 °C | Temperature range, installation, min. | -25 °C |
| Temperature range, installation, max. | 70 °C          |                                       |        |

**General data**

|                       |             |                   |           |
|-----------------------|-------------|-------------------|-----------|
| Colour                | Light Grey  | Connection 1      | LC Duplex |
| Connection 2          | LC Duplex   | Fibre type        | Multimode |
| Housing main material | PA UL 94 V0 | Insertion loss    | ≤ 0.4 dB  |
| Plugging cycles       | 1000        | Protection degree | IP20      |
| Type of mounting      | TS 35       |                   |           |

**General standards**

Connector standard IEC 61754-20

**Classifications**

|             |             |            |             |
|-------------|-------------|------------|-------------|
| ETIM 6.0    | EC000313    | ETIM 7.0   | EC000313    |
| eClass 9.0  | 27-44-03-20 | eClass 9.1 | 19-17-01-25 |
| eClass 10.0 | 27-44-03-20 | UNSPSC     | 30-21-18-01 |

**Approvals**

Approvals



ROHS Conform

**Downloads**

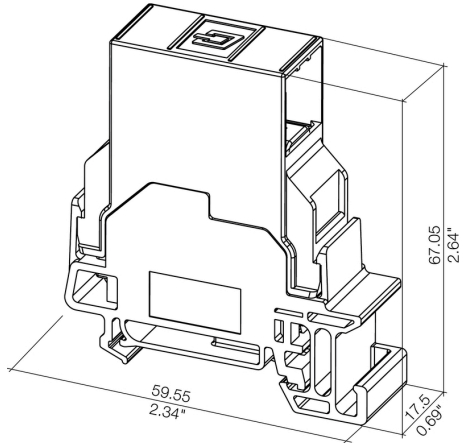
|                    |  |
|--------------------|--|
| Brochure/Catalogue | <a href="#">CAT 9 IETH 18/19 EN</a><br><a href="#">FL FIELDWIRING EN</a><br><a href="#">PI PROFINET CABLING EN</a> |
| Engineering Data   | <a href="#">STEP</a>   |
| User Documentation | <a href="#">MAN IE GUIDE DE</a><br><a href="#">MAN IE GUIDE EN</a><br><a href="#">Manual</a>                       |

**Industrial Ethernet  
IE-TO-LCD-MM**

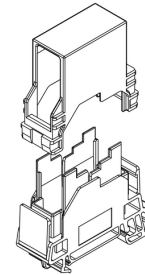
**Weidmüller Interface GmbH & Co. KG**  
Klingenbergstraße 26  
D-32758 Detmold  
Germany  
Fon: +49 5231 14-0  
Fax: +49 5231 14-292083  
www.weidmueller.com

**Drawings**

**Dimensioned drawing**



**Drawing**



**Industrial Ethernet  
IE-TO-LCD-MM**

**Weidmüller Interface GmbH & Co. KG**  
 Klingenbergstraße 26  
 D-32758 Detmold  
 Germany  
 Fon: +49 5231 14-0  
 Fax: +49 5231 14-292083  
 www.weidmueller.com

**Accessories**

**Blank**



ESG is the tried-and-tested marker in MultiCard format for use on many well-known electrical devices. The result is high-quality device marking with a high-contrast appearance.

Various types are available for devices from the following manufacturers:

- Siemens
- Télémecanique
- ABB
- Beckhoff
- Lumberg
- Tags for all-purpose usage; self-adhesive or clip-on tags, depending on the type

Advantages at a glance:

- Tags for universal usage, self-adhesive or clip-on tags, depending on type
- For aligned equipment, e.g. circuit breakers, we supply ESG markers for clipping onto tag rails
- Individual laser-quality printing according to specifications

**For custom printing:** Please send us a file of our labeling software M-Print PRO or M-Print PRO Online (without installation) for your labeling specifications.

Please note that these markers are not intended for printing with the SpeedMarking laser.

**General ordering data**

|            |                            |  |
|------------|----------------------------|--|
| Type       | ESG 9/11 K MC NE WS        | Version  |
| Order No.  | <a href="#">1857440000</a> | ESG, Device markers x 11 mm, PA 66, Colour: white, Self-adhesive |
| GTIN (EAN) | 4032248402731              |  |
| Qty.       | 200 pc(s).                 |  |