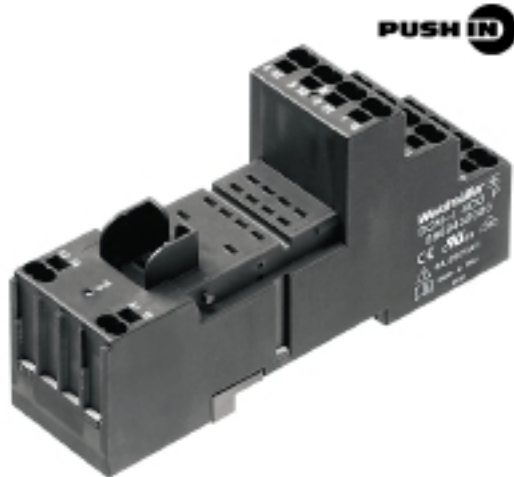


**RIDERSERIES RCM
SCM-I 4CO P**

Weidmüller Interface GmbH & Co. KG
Klingenbergstraße 26
D-32758 Detmold
Germany
Fon: +49 5231 14-0
Fax: +49 5231 14-292083
www.weidmueller.com

Product image

Relay base for RIDERSERIES RCM relays

- 2, 3 and 4 CO contacts
- Screw and PUSH IN wire connection
- Standard and low heights

General ordering data

| | |
|------------|--------------------------------------------------------------------------------------------------|
| Type | SCM-I 4CO P |
| Order No. | 8869430000 |
| Version | RIDERSERIES RCM, Relay bases, Number of contacts: 4 CO contact, Continuous current: 6 A, PUSH IN |
| GTIN (EAN) | 4032248614288 |
| Qty. | 10 pc(s). |

Creation date May 1, 2020 6:12:56 AM CEST

Catalogue status 17.04.2020 / We reserve the right to make technical changes.

**RIDERSERIES RCM
SCM-I 4CO P**

Weidmüller Interface GmbH & Co. KG
 Klingenbergstraße 26
 D-32758 Detmold
 Germany
 Fon: +49 5231 14-0
 Fax: +49 5231 14-292083
 www.weidmueller.com

Technical data**Dimensions and weights**

| | | | |
|------------|----------|-----------------|------------|
| Width | 28 mm | Width (inches) | 1.102 inch |
| Height | 98 mm | Height (inches) | 3.858 inch |
| Depth | 48.3 mm | Depth (inches) | 1.902 inch |
| Net weight | 61.795 g | | |

Temperatures

| | | | |
|-----------------------------|------------------------------------------------|-----------------------------|----------------|
| Humidity | 40 °C / 93 % rel. humidity, no condensation | Operating temperature, max. | 70 °C |
| Operating temperature, min. | -40 °C | Storage temperature, max. | 70 °C |
| Storage temperature, min. | -40 °C | Operating temperature | -40 °C...70 °C |
| Storage temperature | -40 °C...70 °C | | |

Environmental Product Compliance

| | |
|------------|----------------|
| REACH SVHC | Lead 7439-92-1 |
|------------|----------------|

Rated data UL

| | |
|-------------------------|---------|
| Certificate No. (cURus) | E223759 |
|-------------------------|---------|

Output

| | | | |
|-------------------------|----------|----------------------------|-------|
| Rated switching voltage | 250 V AC | Max. switching voltage, AC | 250 V |
| Continuous current | 6 A | | |

Contact data

| | |
|--------------|--------------|
| Contact type | 4 CO contact |
|--------------|--------------|

General data

| | | | |
|---------------------------|-------|--------|-------|
| Rail | TS 35 | Colour | black |
| UL 94 flammability rating | V-0 | | |

Insulation coordination

| | | | |
|--------------------------------------------|--------------------------------|------------------------------------------------|-----------------------------|
| Rated voltage | 250 V | Surge voltage category | III |
| Pollution severity | 2 | Insulating material group | IIIa |
| Protection degree | IP20 | Type of isolation at input and output | Basic insulation |
| Dielectric strength, Input/Output | 2.5 kV _{eff} / 1 Min. | Creepage and clearance distance input – output | ≥ 4 mm |
| Type of isolation at neighbouring contacts | Basic insulation | Dielectric strength of neighbouring contacts | 2 kV _{eff} / 1 min |
| Dielectric strength of open contact | 1.2 kV _{eff} / 1 min. | | |

Further details of approvals / standards

| | | | |
|-------------------------|--------------------|-----------------------|----------------|
| Standards | IEC 61810-1, UL508 | Certificate No. (CSA) | 249409-2295474 |
| Certificate No. (cURus) | E223759 | | |

RIDERSERIES RCM SCM-I 4CO P

Weidmüller Interface GmbH & Co. KG
 Klingenbergstraße 26
 D-32758 Detmold
 Germany
 Fon: +49 5231 14-0
 Fax: +49 5231 14-292083
 www.weidmueller.com

Technical data

Connection data

| | | | |
|-----------------------------------------------------------------------------------------|----------------------|-----------------------------------------------------------------------------------------|----------------------|
| Wire connection method | PUSH IN | Stripping length, rated connection | 12 mm |
| Clamping range, rated connection | 1.5 mm ² | Clamping range, min. | 0.75 mm ² |
| Clamping range, max. | 1.5 mm ² | Wire cross-section, solid, min. | 0.75 mm ² |
| Wire cross-section, solid, max. | 1.5 mm ² | Wire connection cross-section, finely stranded, min. | 0.75 mm ² |
| Wire connection cross section, finely stranded, max. | 1.5 mm ² | Wire cross-section, finely stranded, max. (AWG) | AWG 16 |
| Wire connection cross-section, finely stranded with wire-end ferrules DIN 46228/4, min. | 0.75 mm ² | Wire connection cross-section, finely stranded with wire-end ferrules DIN 46228/4, max. | 0.75 mm ² |
| Conductor cross-section, flexible, AEH (DIN 46228-1), min. | 0.75 mm ² | Conductor cross-section, flexible, AEH (DIN 46228-1), max. | 1 mm ² |
| Blade size | 0.6 x 3.5 mm | | |

Classifications

| | | | |
|-------------|-------------|------------|-------------|
| ETIM 6.0 | EC001456 | ETIM 7.0 | EC001456 |
| eClass 9.0 | 27-37-16-03 | eClass 9.1 | 27-37-16-03 |
| eClass 10.0 | 27-37-16-03 | UNSPSC | 30-21-19-17 |

Approvals

Approvals



ROHS Conform

Downloads

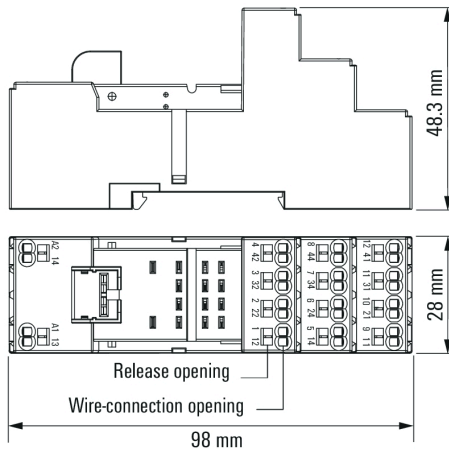
| | |
|---------------------------------------------|-------------------------------------------------------------------------|
| Approval/Certificate/Document of Conformity | EU Konformitätserklärung / EU Declaration of Conformity |
| Brochure/Catalogue | CAT 4.2 ELECTR 18/19 EN |
| Engineering Data | EPLAN, WSCAD |
| Engineering Data | STEP |

**RIDERSERIES RCM
SCM-I 4CO P**

Weidmüller Interface GmbH & Co. KG
 Klingenbergstraße 26
 D-32758 Detmold
 Germany
 Fon: +49 5231 14-0
 Fax: +49 5231 14-292083
 www.weidmueller.com

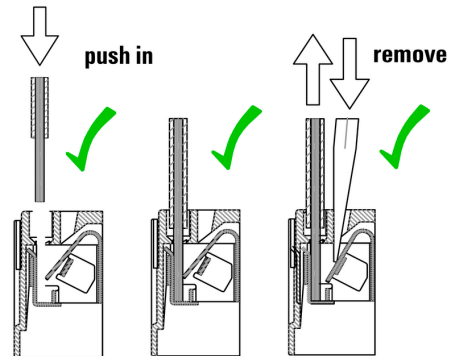
Drawings

Dimensional drawing

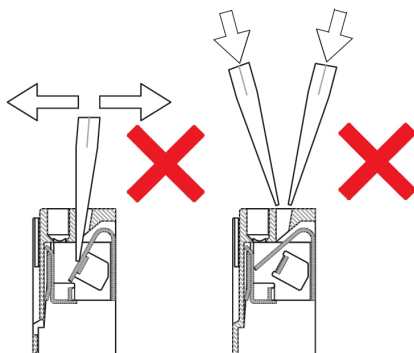


Miscellaneous

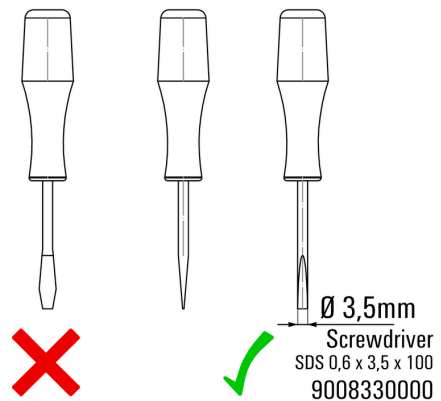
Correct handling PUSH IN connection



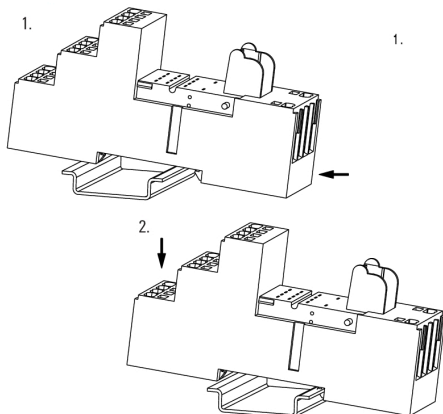
Wrong handling PUSH IN connection



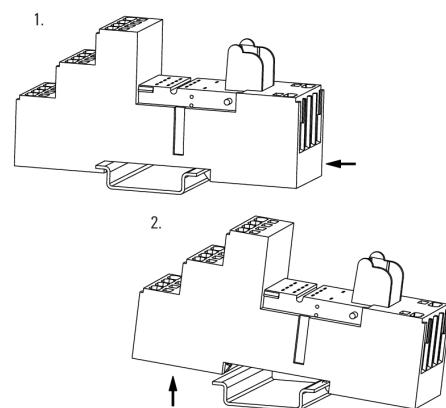
Recommended screwdriver



Snap on socket



Unlatching socket



**RIDERSERIES RCM
SCM-I 4CO P**

Weidmüller Interface GmbH & Co. KG
 Klingenbergstraße 26
 D-32758 Detmold
 Germany
 Fon: +49 5231 14-0
 Fax: +49 5231 14-292083
 www.weidmueller.com

Mating connector (fully pluggable)**with LED and test button**

Standard relays in the RIDERSERIES RCM

- 2 CO contacts
- Optionally AC or DC coils
- with test button
- Comes optionally with integrated status display and/or free-wheel diode

General ordering data

| | | |
|------------|----------------------------|---------------------------------------------------------------------------------------------------------------------------------------------------------------------|
| Type | RCM270R48 | Version |
| Order No. | 8689790000 | RIDERSERIES RCM, Relay, Number of contacts: 2 CO contact with test button AgNi 90/10, Rated control voltage: 48 V AC, Continuous current: 12 A, Plug-in connection |
| GTIN (EAN) | 4032248360468 | |
| Qty. | 10 pc(s). | |
| Type | RCM270S15 | Version |
| Order No. | 8689810000 | RIDERSERIES RCM, Relay, Number of contacts: 2 CO contact with test button AgNi 90/10, Rated control voltage: 115 V AC, Continuous current: 12 A, Plug-in connection |
| GTIN (EAN) | 4032248360482 | |
| Qty. | 10 pc(s). | |
| Type | RCM270L12 | Version |
| Order No. | 8689850000 | RIDERSERIES RCM, Relay, Number of contacts: 2 CO contact with test button AgNi 90/10, Rated control voltage: 12 V DC, Continuous current: 12 A, Plug-in connection |
| GTIN (EAN) | 4032248360529 | |
| Qty. | 10 pc(s). | |
| Type | RCM270L48 | Version |
| Order No. | 8689890000 | RIDERSERIES RCM, Relay, Number of contacts: 2 CO contact with test button AgNi 90/10, Rated control voltage: 48 V DC, Continuous current: 12 A, Plug-in connection |
| GTIN (EAN) | 4032248360567 | |
| Qty. | 10 pc(s). | |
| Type | RCM270R12 | Version |
| Order No. | 8689750000 | RIDERSERIES RCM, Relay, Number of contacts: 2 CO contact with test button AgNi 90/10, Rated control voltage: 12 V AC, Continuous current: 12 A, Plug-in connection |
| GTIN (EAN) | 4032248360420 | |
| Qty. | 10 pc(s). | |
| Type | RCM270R24 | Version |
| Order No. | 8689770000 | RIDERSERIES RCM, Relay, Number of contacts: 2 CO contact with test button AgNi 90/10, Rated control voltage: 24 V AC, Continuous current: 12 A, Plug-in connection |
| GTIN (EAN) | 4032248360444 | |
| Qty. | 10 pc(s). | |
| Type | RCM270T30 | Version |
| Order No. | 8689830000 | RIDERSERIES RCM, Relay, Number of contacts: 2 CO contact with test button AgNi 90/10, Rated control voltage: 230 V AC, Continuous current: 12 A, Plug-in connection |
| GTIN (EAN) | 4032248360505 | |
| Qty. | 10 pc(s). | |
| Type | RCM270L24 | Version |
| Order No. | 8689870000 | RIDERSERIES RCM, Relay, Number of contacts: 2 CO contact with test button AgNi 90/10, Rated control voltage: 24 V DC, Continuous current: 12 A, Plug-in connection |
| GTIN (EAN) | 4032248360543 | |
| Qty. | 10 pc(s). | |

**RIDERSERIES RCM
SCM-I 4CO P**

Weidmüller Interface GmbH & Co. KG
 Klingenbergstraße 26
 D-32758 Detmold
 Germany
 Fon: +49 5231 14-0
 Fax: +49 5231 14-292083
 www.weidmueller.com

Mating connector (fully pluggable)
4 CO contacts / gold-plated contacts


Standard relays in the RIDERSERIES RCM

- 4 CO contacts
- Optionally AC or DC coils
- with test button
- With hard gold-plated contacts

General ordering data

| | | |
|------------|----------------------------|---------------------------------------------------------------------|
| Type | RCM580024 | Version |
| Order No. | 8694460000 | RIDERSERIES RCM, Relay, Number of contacts: 4 CO contact with |
| GTIN (EAN) | 4032248366163 | test button AgNi 5µm Au, Rated control voltage: 24 V DC, Continuous |
| Qty. | 10 pc(s). | current: 6 A, Plug-in connection |
| Type | RCM580730 | Version |
| Order No. | 7940007637 | RIDERSERIES RCM, Relay, Number of contacts: 4 CO contact with test |
| GTIN (EAN) | 4032248526345 | button AgNi 5µm Au, Rated control voltage: 230 V AC, Continuous |
| Qty. | 10 pc(s). | current: 6 A, Plug-in connection |
| Type | RCM580615 | Version |
| Order No. | 8824860000 | RIDERSERIES RCM, Relay, Number of contacts: 4 CO contact with test |
| GTIN (EAN) | 4032248526352 | button AgNi 5µm Au, Rated control voltage: 115 V AC, Continuous |
| Qty. | 10 pc(s). | current: 6 A, Plug-in connection |
| Type | RCM580524 | Version |
| Order No. | 7940008171 | RIDERSERIES RCM, Relay, Number of contacts: 4 CO contact with |
| GTIN (EAN) | 4032248526390 | test button AgNi 5µm Au, Rated control voltage: 24 V AC, Continuous |
| Qty. | 10 pc(s). | current: 6 A, Plug-in connection |
| Type | RCM580110 | Version |
| Order No. | 8829000000 | RIDERSERIES RCM, Relay, Number of contacts: 4 CO contact with test |
| GTIN (EAN) | 4032248532032 | button AgNi 5µm Au, Rated control voltage: 110 V DC, Continuous |
| Qty. | 10 pc(s). | current: 6 A, Plug-in connection |

with LED, test button and free-wheel diode


Standard relays in the RIDERSERIES RCM

- 4 CO contacts
- Relay with DC coil
- with test button
- With integrated status display and free-wheel diode

General ordering data

| | | |
|------------|----------------------------|--------------------------------------------------------------------|
| Type | RCM570AE8 | Version |
| Order No. | 8957180000 | RIDERSERIES RCM, Relay, Number of contacts: 4 CO contact with |
| GTIN (EAN) | 4032248755455 | test button AgNi 90/10, Rated control voltage: 48 V DC, Continuous |
| Qty. | 10 pc(s). | current: 6 A, Plug-in connection |

**RIDERSERIES RCM
SCM-I 4CO P**

Weidmüller Interface GmbH & Co. KG
Klingenbergstraße 26
D-32758 Detmold
Germany
Fon: +49 5231 14-0
Fax: +49 5231 14-292083
www.weidmueller.com

Mating connector (fully pluggable)

| | | |
|------------|----------------------------|--------------------------------------------------------------------------------------------------------------------------------------------------------------------|
| Type | RCM570BB0 | Version |
| Order No. | 8957190000 | RIDERSERIES RCM, Relay, Number of contacts: 4 CO contact with test button AgNi 90/10, Rated control voltage: 110 V DC, Continuous current: 6 A, Plug-in connection |
| GTIN (EAN) | 4032248755462 | |
| Qty. | 10 pc(s). | |
| Type | RCM570AB2 | Version |
| Order No. | 8957160000 | RIDERSERIES RCM, Relay, Number of contacts: 4 CO contact with test button AgNi 90/10, Rated control voltage: 12 V DC, Continuous current: 6 A, Plug-in connection |
| GTIN (EAN) | 4032248755431 | |
| Qty. | 10 pc(s). | |
| Type | RCM570AC4 | Version |
| Order No. | 8957170000 | RIDERSERIES RCM, Relay, Number of contacts: 4 CO contact with test button AgNi 90/10, Rated control voltage: 24 V DC, Continuous current: 6 A, Plug-in connection |
| GTIN (EAN) | 4032248755448 | |
| Qty. | 10 pc(s). | |

with test button

Standard relays in the RIDERSERIES RCM

- 2 CO contacts
- Optionally AC or DC coils
- with test button
- Comes optionally with integrated status display and/or free-wheel diode

General ordering data

| | | |
|------------|----------------------------|---------------------------------------------------------------------------------------------------------------------------------------------------------------------|
| Type | RCM270548 | Version |
| Order No. | 8689780000 | RIDERSERIES RCM, Relay, Number of contacts: 2 CO contact with test button AgNi 90/10, Rated control voltage: 48 V AC, Continuous current: 12 A, Plug-in connection |
| GTIN (EAN) | 4032248360451 | |
| Qty. | 10 pc(s). | |
| Type | RCM270110 | Version |
| Order No. | 8689900000 | RIDERSERIES RCM, Relay, Number of contacts: 2 CO contact with test button AgNi 90/10, Rated control voltage: 110 V DC, Continuous current: 12 A, Plug-in connection |
| GTIN (EAN) | 4032248360574 | |
| Qty. | 10 pc(s). | |
| Type | RCM270512 | Version |
| Order No. | 8689740000 | RIDERSERIES RCM, Relay, Number of contacts: 2 CO contact with test button AgNi 90/10, Rated control voltage: 12 V AC, Continuous current: 12 A, Plug-in connection |
| GTIN (EAN) | 4032248360413 | |
| Qty. | 10 pc(s). | |
| Type | RCM270048 | Version |
| Order No. | 8689880000 | RIDERSERIES RCM, Relay, Number of contacts: 2 CO contact with test button AgNi 90/10, Rated control voltage: 48 V DC, Continuous current: 12 A, Plug-in connection |
| GTIN (EAN) | 4032248360550 | |
| Qty. | 10 pc(s). | |
| Type | RCM270524 | Version |
| Order No. | 8689760000 | RIDERSERIES RCM, Relay, Number of contacts: 2 CO contact with test button AgNi 90/10, Rated control voltage: 24 V AC, Continuous current: 12 A, Plug-in connection |
| GTIN (EAN) | 4032248360437 | |
| Qty. | 10 pc(s). | |
| Type | RCM270615 | Version |
| Order No. | 8689800000 | RIDERSERIES RCM, Relay, Number of contacts: 2 CO contact with test button AgNi 90/10, Rated control voltage: 115 V AC, Continuous current: 12 A, Plug-in connection |
| GTIN (EAN) | 4032248360475 | |
| Qty. | 10 pc(s). | |

Creation date May 1, 2020 6:12:56 AM CEST

Catalogue status 17.04.2020 / We reserve the right to make technical changes.

**RIDERSERIES RCM
SCM-I 4CO P**

Weidmüller Interface GmbH & Co. KG
Klingenbergstraße 26
D-32758 Detmold
Germany
Fon: +49 5231 14-0
Fax: +49 5231 14-292083
www.weidmueller.com

Mating connector (fully pluggable)

| | | |
|------------|----------------------------|---------------------------------------------------------------------------------------------------------------------------------------------------------------------|
| Type | RCM270730 | Version |
| Order No. | 8689820000 | RIDERSERIES RCM, Relay, Number of contacts: 2 CO contact with test button AgNi 90/10, Rated control voltage: 230 V AC, Continuous current: 12 A, Plug-in connection |
| GTIN (EAN) | 4032248360499 | |
| Qty. | 10 pc(s). | |
| Type | RCM270024 | Version |
| Order No. | 8689860000 | RIDERSERIES RCM, Relay, Number of contacts: 2 CO contact with test button AgNi 90/10, Rated control voltage: 24 V DC, Continuous current: 12 A, Plug-in connection |
| GTIN (EAN) | 4032248360536 | |
| Qty. | 10 pc(s). | |
| Type | RCM270012 | Version |
| Order No. | 8689840000 | RIDERSERIES RCM, Relay, Number of contacts: 2 CO contact with test button AgNi 90/10, Rated control voltage: 12 V DC, Continuous current: 12 A, Plug-in connection |
| GTIN (EAN) | 4032248360512 | |
| Qty. | 10 pc(s). | |

with LED and test button

Standard relays in the RIDERSERIES RCM

- 4 CO contacts
- Optionally AC or DC coils
- with test button
- Comes optionally with integrated status display and/or free-wheel diode

General ordering data

| | | |
|------------|----------------------------|--------------------------------------------------------------------------------------------------------------------------------------------------------------------|
| Type | RCM570R12 | Version |
| Order No. | 8690100000 | RIDERSERIES RCM, Relay, Number of contacts: 4 CO contact with test button AgNi 90/10, Rated control voltage: 12 V AC, Continuous current: 6 A, Plug-in connection |
| GTIN (EAN) | 4032248360765 | |
| Qty. | 10 pc(s). | |
| Type | RCM570M10 | Version |
| Order No. | 8690240000 | RIDERSERIES RCM, Relay, Number of contacts: 4 CO contact with test button AgNi 90/10, Rated control voltage: 110 V DC, Continuous current: 6 A, Plug-in connection |
| GTIN (EAN) | 4032248360864 | |
| Qty. | 10 pc(s). | |
| Type | RCM570R24 | Version |
| Order No. | 8690120000 | RIDERSERIES RCM, Relay, Number of contacts: 4 CO contact with test button AgNi 90/10, Rated control voltage: 24 V AC, Continuous current: 6 A, Plug-in connection |
| GTIN (EAN) | 4032248360789 | |
| Qty. | 10 pc(s). | |
| Type | RCM570R48 | Version |
| Order No. | 8690130000 | RIDERSERIES RCM, Relay, Number of contacts: 4 CO contact with test button AgNi 90/10, Rated control voltage: 48 V AC, Continuous current: 6 A, Plug-in connection |
| GTIN (EAN) | 4032248360796 | |
| Qty. | 10 pc(s). | |
| Type | RCM570L24 | Version |
| Order No. | 8690220000 | RIDERSERIES RCM, Relay, Number of contacts: 4 CO contact with test button AgNi 90/10, Rated control voltage: 24 V DC, Continuous current: 6 A, Plug-in connection |
| GTIN (EAN) | 4032248360840 | |
| Qty. | 10 pc(s). | |
| Type | RCM570L48 | Version |
| Order No. | 8690230000 | RIDERSERIES RCM, Relay, Number of contacts: 4 CO contact with test button AgNi 90/10, Rated control voltage: 48 V DC, Continuous current: 6 A, Plug-in connection |
| GTIN (EAN) | 4032248360857 | |
| Qty. | 10 pc(s). | |

Creation date May 1, 2020 6:12:56 AM CEST

Catalogue status 17.04.2020 / We reserve the right to make technical changes.

RIDERSERIES RCM SCM-I 4CO P

Weidmüller Interface GmbH & Co. KG
Klingenbergstraße 26
D-32758 Detmold
Germany
Fon: +49 5231 14-0
Fax: +49 5231 14-292083
www.weidmueller.com

Mating connector (fully pluggable)

| | | |
|------------|----------------------------|--------------------------------------------------------------------------------------------------------------------------------------------------------------------|
| Type | RCM570S15 | Version |
| Order No. | 8690150000 | RIDERSERIES RCM, Relay, Number of contacts: 4 CO contact with test button AgNi 90/10, Rated control voltage: 115 V AC, Continuous current: 6 A, Plug-in connection |
| GTIN (EAN) | 4032248360802 | |
| Qty. | 10 pc(s). | |
| Type | RCM570L12 | Version |
| Order No. | 8690180000 | RIDERSERIES RCM, Relay, Number of contacts: 4 CO contact with test button AgNi 90/10, Rated control voltage: 12 V DC, Continuous current: 6 A, Plug-in connection |
| GTIN (EAN) | 4032248360826 | |
| Qty. | 10 pc(s). | |
| Type | RCM570T30 | Version |
| Order No. | 8690160000 | RIDERSERIES RCM, Relay, Number of contacts: 4 CO contact with test button AgNi 90/10, Rated control voltage: 230 V AC, Continuous current: 6 A, Plug-in connection |
| GTIN (EAN) | 4032248360819 | |
| Qty. | 10 pc(s). | |

with test button



Standard relays in the RIDERSERIES RCM

- 4 CO contacts
- Optionally AC or DC coils
- with test button
- Comes optionally with integrated status display and/or free-wheel diode

General ordering data

| | | |
|------------|----------------------------|--------------------------------------------------------------------------------------------------------------------------------------------------------------------|
| Type | RCM570110 | Version |
| Order No. | 8074700000 | RIDERSERIES RCM, Relay, Number of contacts: 4 CO contact with test button AgNi 90/10, Rated control voltage: 110 V DC, Continuous current: 6 A, Plug-in connection |
| GTIN (EAN) | 4008190158323 | |
| Qty. | 10 pc(s). | |
| Type | RCM570220 | Version |
| Order No. | 8636230000 | RIDERSERIES RCM, Relay, Number of contacts: 4 CO contact with test button AgNi 90/10, Rated control voltage: 220 V DC, Continuous current: 6 A, Plug-in connection |
| GTIN (EAN) | 4032248305940 | |
| Qty. | 10 pc(s). | |
| Type | RCM570048 | Version |
| Order No. | 8074670000 | RIDERSERIES RCM, Relay, Number of contacts: 4 CO contact with test button AgNi 90/10, Rated control voltage: 48 V DC, Continuous current: 6 A, Plug-in connection |
| GTIN (EAN) | 4008190047467 | |
| Qty. | 10 pc(s). | |
| Type | RCM570615 | Version |
| Order No. | 1180800000 | RIDERSERIES RCM, Relay, Number of contacts: 4 CO contact with test button AgNi 90/10, Rated control voltage: 115 V AC, Continuous current: 6 A, Plug-in connection |
| GTIN (EAN) | 4008190113100 | |
| Qty. | 10 pc(s). | |
| Type | RCM570024 | Version |
| Order No. | 8690200000 | RIDERSERIES RCM, Relay, Number of contacts: 4 CO contact with test button AgNi 90/10, Rated control voltage: 24 V DC, Continuous current: 6 A, Plug-in connection |
| GTIN (EAN) | 4032248360833 | |
| Qty. | 10 pc(s). | |
| Type | RCM570006 | Version |
| Order No. | 8074650000 | RIDERSERIES RCM, Relay, Number of contacts: 4 CO contact with test button AgNi 90/10, Rated control voltage: 6 V DC, Continuous current: 6 A, Plug-in connection |
| GTIN (EAN) | 4008190103118 | |
| Qty. | 10 pc(s). | |

Creation date May 1, 2020 6:12:56 AM CEST

Catalogue status 17.04.2020 / We reserve the right to make technical changes.

**RIDERSERIES RCM
SCM-I 4CO P**

Weidmüller Interface GmbH & Co. KG
 Klingenbergstraße 26
 D-32758 Detmold
 Germany
 Fon: +49 5231 14-0
 Fax: +49 5231 14-292083
 www.weidmueller.com

Mating connector (fully pluggable)

| | | |
|------------|----------------------------|--------------------------------------------------------------------------------------------------------------------------------------------------------------------|
| Type | RCM570548 | Version |
| Order No. | 1180900000 | RIDERSERIES RCM, Relay, Number of contacts: 4 CO contact with test button AgNi 90/10, Rated control voltage: 48 V AC, Continuous current: 6 A, Plug-in connection |
| GTIN (EAN) | 4008190172978 | |
| Qty. | 10 pc(s). | |
| Type | RCM570012 | Version |
| Order No. | 8054360000 | RIDERSERIES RCM, Relay, Number of contacts: 4 CO contact with test button AgNi 90/10, Rated control voltage: 12 V DC, Continuous current: 6 A, Plug-in connection |
| GTIN (EAN) | 4008190098322 | |
| Qty. | 10 pc(s). | |
| Type | RCM570060 | Version |
| Order No. | 8074680000 | RIDERSERIES RCM, Relay, Number of contacts: 4 CO contact with test button AgNi 90/10, Rated control voltage: 60 V DC, Continuous current: 6 A, Plug-in connection |
| GTIN (EAN) | 4008190119836 | |
| Qty. | 10 pc(s). | |
| Type | RCM570560 | Version |
| Order No. | 1549770000 | RIDERSERIES RCM, Relay, Number of contacts: 4 CO contact with test button AgNi 90/10, Rated control voltage: 60 V AC, Continuous current: 6 A, Plug-in connection |
| GTIN (EAN) | 4050118356090 | |
| Qty. | 10 pc(s). | |
| Type | RCM570524 | Version |
| Order No. | 8690110000 | RIDERSERIES RCM, Relay, Number of contacts: 4 CO contact with test button AgNi 90/10, Rated control voltage: 24 V AC, Continuous current: 6 A, Plug-in connection |
| GTIN (EAN) | 4032248360772 | |
| Qty. | 10 pc(s). | |
| Type | RCM570125 | Version |
| Order No. | 7940007736 | RIDERSERIES RCM, Relay, Number of contacts: 4 CO contact with test button AgNi 90/10, Rated control voltage: 125 V DC, Continuous current: 6 A, Plug-in connection |
| GTIN (EAN) | 9004839079863 | |
| Qty. | 10 pc(s). | |
| Type | RCM570512 | Version |
| Order No. | 8074760000 | RIDERSERIES RCM, Relay, Number of contacts: 4 CO contact with test button AgNi 90/10, Rated control voltage: 12 V AC, Continuous current: 6 A, Plug-in connection |
| GTIN (EAN) | 4008190100711 | |
| Qty. | 10 pc(s). | |
| Type | RCM570730 | Version |
| Order No. | 1181100000 | RIDERSERIES RCM, Relay, Number of contacts: 4 CO contact with test button AgNi 90/10, Rated control voltage: 230 V AC, Continuous current: 6 A, Plug-in connection |
| GTIN (EAN) | 4008190130909 | |
| Qty. | 10 pc(s). | |

with LED, test button and free-wheel diode**Standard relays in the RIDERSERIES RCM**

- 2 CO contacts
- Relay with DC coil
- with test button
- With integrated status display and free-wheel diode

General ordering data

| | | |
|------------|----------------------------|--------------------------------------------------------------------------------------------------------------------------------------------------------------------|
| Type | RCM270AE8 | Version |
| Order No. | 8957040000 | RIDERSERIES RCM, Relay, Number of contacts: 2 CO contact with test button AgNi 90/10, Rated control voltage: 48 V DC, Continuous current: 12 A, Plug-in connection |
| GTIN (EAN) | 4032248755318 | |
| Qty. | 10 pc(s). | |

RIDERSERIES RCM SCM-I 4CO P

Weidmüller Interface GmbH & Co. KG
 Klingenbergstraße 26
 D-32758 Detmold
 Germany
 Fon: +49 5231 14-0
 Fax: +49 5231 14-292083
 www.weidmueller.com

Mating connector (fully pluggable)

| | | |
|------------|----------------------------|---------------------------------------------------------------------|
| Type | RCM270AC4 | Version |
| Order No. | 8957030000 | RIDERSERIES RCM, Relay, Number of contacts: 2 CO contact with |
| GTIN (EAN) | 4032248755301 | test button AgNi 90/10, Rated control voltage: 24 V DC, Continuous |
| Qty. | 10 pc(s). | current: 12 A, Plug-in connection |
| Type | RCM270AB2 | Version |
| Order No. | 8957020000 | RIDERSERIES RCM, Relay, Number of contacts: 2 CO contact with |
| GTIN (EAN) | 4032248755295 | test button AgNi 90/10, Rated control voltage: 12 V DC, Continuous |
| Qty. | 10 pc(s). | current: 12 A, Plug-in connection |
| Type | RCM270BB0 | Version |
| Order No. | 8957050000 | RIDERSERIES RCM, Relay, Number of contacts: 2 CO contact with |
| GTIN (EAN) | 4032248755325 | test button AgNi 90/10, Rated control voltage: 110 V DC, Continuous |
| Qty. | 10 pc(s). | current: 12 A, Plug-in connection |

**RIDERSERIES RCM
SCM-I 4CO P**

Weidmüller Interface GmbH & Co. KG
Klingenbergstraße 26
D-32758 Detmold
Germany
Fon: +49 5231 14-0
Fax: +49 5231 14-292083
www.weidmueller.com

Accessories

Plastic retaining clip



Plastic retaining clip for RIDERSERIES RCM relays

General ordering data

| | | |
|------------|----------------------------|---------------------------------|
| Type | SCM-I CLIP P | Version |
| Order No. | 8869440000 | RIDERSERIES RCM, Retaining clip |
| GTIN (EAN) | 4032248614295 | |
| Qty. | 10 pc(s). | |

LED



Pluggable protective modules for the RIDERSERIES RCI / RCM relay base, with optional protective functions.

- With either green or red LED
- For UC supply voltage

General ordering data

| | | |
|------------|----------------------------|----------------------------------------------------------------------|
| Type | RIM-I 3 110/230VUC GN | Version |
| Order No. | 8869660000 | RIDERSERIES, LED module, Rated control voltage: 110...230 V UC, |
| GTIN (EAN) | 4032248614721 | Plug-in connection |
| Qty. | 10 pc(s). | |
| Type | RIM-I 3 6/24VUC | Version |
| Order No. | 8869630000 | RIDERSERIES, LED module, Rated control voltage: 6...24 V UC, Plug-in |
| GTIN (EAN) | 4032248614578 | connection |
| Qty. | 10 pc(s). | |
| Type | RIM-I 3 24/60VUC | Version |
| Order No. | 8869610000 | RIDERSERIES, LED module, Rated control voltage: 24...60 V UC, Plug- |
| GTIN (EAN) | 4032248614554 | in connection |
| Qty. | 10 pc(s). | |
| Type | RIM-I 3 6/24VUC GN | Version |
| Order No. | 8869640000 | RIDERSERIES, LED module, Rated control voltage: 6...24 V UC, Plug-in |
| GTIN (EAN) | 4032248614585 | connection |
| Qty. | 10 pc(s). | |
| Type | RIM-I 3 24/60VUC GN | Version |
| Order No. | 8869620000 | RIDERSERIES, LED module, Rated control voltage: 24...60 V UC, Plug- |
| GTIN (EAN) | 4032248614561 | in connection |
| Qty. | 10 pc(s). | |

RIDERSERIES RCM SCM-I 4CO P

Weidmüller Interface GmbH & Co. KG
 Klingenbergstraße 26
 D-32758 Detmold
 Germany
 Fon: +49 5231 14-0
 Fax: +49 5231 14-292083
 www.weidmueller.com

Accessories

| | | |
|------------|----------------------------|-----------------------------------------------------------------|
| Type | RIM-I 3 110/230VUC | Version |
| Order No. | 8869650000 | RIDERSERIES, LED module, Rated control voltage: 110...230 V UC, |
| GTIN (EAN) | 4032248614592 | Plug-in connection |
| Qty. | 10 pc(s). | |

Cross-connection for base with PUSH IN connection



Weidmüller RIDERSERIES relays guarantee a noise-free, decoupled signal transmission in industrial automation concepts.

They are compact, quickly installed and can be fitted in the tightest of spaces.

- 2, 3 or 4 CO contacts
- optionally: AC or DC coils
- Relay with test button and integrated status display and/or free-wheel diode
- Optionally with hard gold plated 4 CO contacts
- pluggable LED modules with protective functions
- Metal and plastic retaining clips
- Base with screw / PUSH IN connection

General ordering data

| | | |
|------------|----------------------------|----------------------------------|
| Type | SCM-I QV P | Version |
| Order No. | 8870850000 | RIDERSERIES RCM, Cross-connector |
| GTIN (EAN) | 4032248631698 | |
| Qty. | 10 pc(s). | |

LED / free-wheel diode



Pluggable protective modules for the RIDERSERIES RCI / RCM relay base, with optional protective functions.

- With either green or red LED
- With free-wheel diode
- For DC supply voltage

General ordering data

| | | |
|------------|----------------------------|---------------------------------------------------------------------------------------------------------|
| Type | RIM-I 2 6/24VDC | Version |
| Order No. | 8869590000 | RIDERSERIES, LED module with freewheel diode, Rated control voltage: 6...24 V DC, Plug-in connection |
| GTIN (EAN) | 4032248614530 | |
| Qty. | 10 pc(s). | |
| Type | RIM-I 2 110/230VDC GN | Version |
| Order No. | 8869700000 | RIDERSERIES, LED module with freewheel diode, Rated control voltage: 110...230 V DC, Plug-in connection |
| GTIN (EAN) | 4032248614639 | |
| Qty. | 10 pc(s). | |
| Type | RIM-I 2 24/60VDC | Version |
| Order No. | 8869670000 | RIDERSERIES, LED module with freewheel diode, Rated control voltage: 24...60 V DC, Plug-in connection |
| GTIN (EAN) | 4032248614608 | |
| Qty. | 10 pc(s). | |

RIDERSERIES RCM SCM-I 4CO P

Weidmüller Interface GmbH & Co. KG
 Klingenbergstraße 26
 D-32758 Detmold
 Germany
 Fon: +49 5231 14-0
 Fax: +49 5231 14-292083
 www.weidmueller.com

Accessories

| | | |
|------------|----------------------------|-------------------------------------------------------------|
| Type | RIM-I 2 24/60VDC GN | Version |
| Order No. | 8869680000 | RIDERSERIES, LED module with freewheel diode, Rated control |
| GTIN (EAN) | 4032248614615 | voltage: 24...60 V DC, Plug-in connection |
| Qty. | 10 pc(s). | |
| Type | RIM-I 2 110/230VDC | Version |
| Order No. | 8869690000 | RIDERSERIES, LED module with freewheel diode, Rated control |
| GTIN (EAN) | 4032248614622 | voltage: 110...230 V DC, Plug-in connection |
| Qty. | 10 pc(s). | |
| Type | RIM-I 2 6/24VDC GN | Version |
| Order No. | 8869600000 | RIDERSERIES, LED module with freewheel diode, Rated control |
| GTIN (EAN) | 4032248614547 | voltage: 6...24 V DC, Plug-in connection |
| Qty. | 10 pc(s). | |

LED / Protective varistor



Pluggable protective modules for the RIDERSERIES RCI / RCM relay base, with optional protective functions.

- With protective varistor
- For UC supply voltage

General ordering data

| | | |
|------------|----------------------------|-------------------------------------------------------------------------|
| Type | RIM-I 4 110VUC VAR | Version |
| Order No. | 8869730000 | RIDERSERIES, Protective varistor, Rated control voltage: 110 V UC, |
| GTIN (EAN) | 4032248606351 | Plug-in connection |
| Qty. | 10 pc(s). | |
| Type | RIM-I 4 24VUC VAR | Version |
| Order No. | 8869710000 | RIDERSERIES, Protective varistor, Rated control voltage: 24 V UC, Plug- |
| GTIN (EAN) | 4032248606344 | in connection |
| Qty. | 10 pc(s). | |
| Type | RIM-I 4 230VUC VAR | Version |
| Order No. | 8869750000 | RIDERSERIES, Protective varistor, Rated control voltage: 230 V UC, |
| GTIN (EAN) | 4032248606368 | Plug-in connection |
| Qty. | 10 pc(s). | |

**RIDERSERIES RCM
SCM-I 4CO P**

Weidmüller Interface GmbH & Co. KG
Klingenbergstraße 26
D-32758 Detmold
Germany
Fon: +49 5231 14-0
Fax: +49 5231 14-292083
www.weidmueller.com

Accessories

Metal retaining clip

Metal retaining clip for RIDERSERIES RCM relays



General ordering data

| Type | SCM-I CLIP M | Version |
|------------|----------------------------|---------------------------------|
| Order No. | 8869450000 | RIDERSERIES RCM, Retaining clip |
| GTIN (EAN) | 4032248614301 | |
| Qty. | 10 pc(s). | |

Slotted screwdriver

VDE insulated screwdriver sets, for working on live parts up to 1000 V AC and 1500 V DC, DIN EN 60900. IEC 900. Each piece is "GS" safety tested. Blade made from fully hardened, high-alloy chromium-vanadium-molybdenum steel, gun-metal finish.



General ordering data

| Type | SDIS SL 0.6X3.5X100 | Version |
|------------|----------------------------|---------------------------------------------------------------------|
| Order No. | 1274660000 | Mounting tool, Blade width (B): 3.5 mm, Blade length: 100 mm, Blade |
| GTIN (EAN) | 4050118072631 | thickness (A): 0.6 mm |
| Qty. | 1 pc(s). | |

**RIDERSERIES RCM
SCM-I 4CO P**

Weidmüller Interface GmbH & Co. KG
Klingenbergstraße 26
D-32758 Detmold
Germany
Fon: +49 5231 14-0
Fax: +49 5231 14-292083
www.weidmueller.com

Accessories

Slotted screwdriver

Slotted screwdriver with rounded blade SD DIN 5265, ISO 2380/2, output to DIN 5264, ISO 2380/1. ChromTop tip, SoftFinish grip



General ordering data

| | | |
|------------|----------------------------|-----------------------------------------------------------------------------------------|
| Type | SDS 0.6X3.5X100 | Version |
| Order No. | 9008330000 | Screwdriver, Blade width (B): 3.5 mm, Blade length: 100 mm, Blade thickness (A): 0.6 mm |
| GTIN (EAN) | 4032248056286 | |
| Qty. | 1 pc(s). | |

Slotted screwdriver

VDE insulated slot-head screwdriver, SDI DIN 7437, ISO 2380/2, drive output acc. to DIN 5264, ISO 2380/1. SoftFinish grip



General ordering data

| | | |
|------------|----------------------------|-----------------------------------------------------------------------------------------|
| Type | SDIS 0.6X3.5X100 | Version |
| Order No. | 9008390000 | Screwdriver, Blade width (B): 3.5 mm, Blade length: 100 mm, Blade thickness (A): 0.6 mm |
| GTIN (EAN) | 4032248056354 | |
| Qty. | 1 pc(s). | |

**RIDERSERIES RCM
SCM-I 4CO P**

Weidmüller Interface GmbH & Co. KG
 Klingenbergstraße 26
 D-32758 Detmold
 Germany
 Fon: +49 5231 14-0
 Fax: +49 5231 14-292083
 www.weidmueller.com

Accessories
Label (cannot be printed using PrintJet)


Weidmüller RIDERSERIES relays guarantee a noise-free, decoupled signal transmission in industrial automation concepts.

The are compact, quickly installed and can be fitted in the tightest of spaces.

- 2, 3 or 4 CO contacts
- optionally: AC or DC coils
- Relay with test button and integrated status display and/or free-wheel diode
- Optionally with hard gold plated 4 CO contacts
- pluggable LED modules with protective functions
- Metal and plastic retaining clips
- Base with screw / PUSH IN connection

General ordering data

| | | |
|------------|----------------------------|------------------------|
| Type | SCM-I MARK | Version |
| Order No. | 8869460000 | RIDERSERIES RCM, Label |
| GTIN (EAN) | 4032248614417 | |
| Qty. | 10 pc(s). | |

Protection module


Pluggable protective modules for the RIDERSERIES RCI / RCM relay base, with optional protective functions.

- Optionally with free-wheel diode, load resistor or RC filter

General ordering data

| | | |
|------------|----------------------------|-------------------------------------------------------------------------------------------|
| Type | RIM-I 3 230VAC RC | Version |
| Order No. | 1172210000 | RIDERSERIES, RC filter, Rated control voltage: 230 V UC, Plug-in connection |
| GTIN (EAN) | 4032248964420 | |
| Qty. | 10 pc(s). | |
| Type | RIM-I 1 R 110/230V | Version |
| Order No. | 8870830000 | RIDERSERIES, Load, Rated control voltage: 110...230 V UC, Plug-in connection |
| GTIN (EAN) | 4032248631674 | |
| Qty. | 10 pc(s). | |
| Type | RIM-I 1 6/230V | Version |
| Order No. | 8869580000 | RIDERSERIES, Free-wheeling diode, Rated control voltage: 6...230 V DC, Plug-in connection |
| GTIN (EAN) | 4032248614523 | |
| Qty. | 10 pc(s). | |
| Type | RIM-I 3 110/230VAC RC | Version |
| Order No. | 8869790000 | RIDERSERIES, RC filter, Rated control voltage: 110...230 V UC, Plug-in connection |
| GTIN (EAN) | 4032248606337 | |
| Qty. | 10 pc(s). | |

Data sheet**RIDERSERIES RCM
SCM-I 4CO P**

Weidmüller Interface GmbH & Co. KG
Klingenbergstraße 26
D-32758 Detmold
Germany
Fon: +49 5231 14-0
Fax: +49 5231 14-292083
www.weidmueller.com

Accessories

| | | |
|------------|----------------------------|---------------------------------------------------------------------|
| Type | RIM-I 3 6/60VAC RC | Version |
| Order No. | 8869770000 | RIDERSERIES, RC filter, Rated control voltage: 6...60 V UC, Plug-in |
| GTIN (EAN) | 4032248606320 | connection |
| Qty. | 10 pc(s). | |