

**RIDERSERIES RCM  
RCM270524**

**Weidmüller Interface GmbH & Co. KG**  
Klingenbergstraße 26  
D-32758 Detmold  
Germany  
Fon: +49 5231 14-0  
Fax: +49 5231 14-292083  
www.weidmueller.com

**Product image**

Similar to illustration

Standard relays in the RIDERSERIES RCM

- 2 CO contacts
- Optionally AC or DC coils
- with test button
- Comes optionally with integrated status display and/or free-wheel diode

**General ordering data**

Type	RCM270524
Order No.	<a href="#">8689760000</a>
Version	RIDERSERIES RCM, Relay, Number of contacts: 2 CO contact with test button AgNi 90/10, Rated control voltage: 24 V AC, Continuous current: 12 A, Plug-in connection
GTIN (EAN)	4032248360437
Qty.	10 pc(s).

Creation date May 1, 2020 7:07:38 AM CEST

Catalogue status 17.04.2020 / We reserve the right to make technical changes.

**RIDERSERIES RCM  
RCM270524**

**Weidmüller Interface GmbH & Co. KG**  
 Klingenbergstraße 26  
 D-32758 Detmold  
 Germany  
 Fon: +49 5231 14-0  
 Fax: +49 5231 14-292083  
 www.weidmueller.com

**Technical data****Dimensions and weights**

Width	22.5 mm	Width (inches)	0.886 inch
Height	28 mm	Height (inches)	1.102 inch
Depth	29 mm	Depth (inches)	1.142 inch
Net weight	29.6 g		

**Temperatures**

Humidity	40 °C / 93 % rel. humidity, no condensation	Operating temperature, max.	70 °C
Operating temperature, min.	-40 °C	Storage temperature, max.	85 °C
Storage temperature, min.	-40 °C	Operating temperature	-40 °C...70 °C
Storage temperature	-40 °C...85 °C		

**Rated data UL**

Certificate No. (cURus)	E224238
-------------------------	---------

**Input**

Rated control voltage	24 V AC	Rated current AC	41.6 mA
Power rating	1.0 VA	Pull-in/drop-out voltage, typ.	38.4 V / 14.4 V AC
Coil resistance	192 Ω ± 10 %		

**Output**

Rated switching voltage	240 V AC	Max. switching voltage, AC	400 V
Continuous current	12 A	Inrush current	24 A / 20 ms
AC switching capacity (resistive), max.	3000 VA	DC switching capacity (resistive), max.	288 W @ 24 V
Switch-on delay	≤ 15 ms	Switch-off delay	≤ 10 ms
Min. switching power	1 mA @ 24 V, 10 mA @ 12 V, 100 mA @ 5 V	Max. switching frequency at rated load	0.1 Hz

**Contact data**

Contact type	2 CO contact with test button (AgNi 90/10)	Mechanical service life	AC coil 20 x 10 <sup>6</sup> switching cycles, DC coil 30 x 10 <sup>6</sup> switching cycles
--------------	--	-------------------------	--

**General data**

Test button	yes (lockable)	Mechanical switch position indicator	Yes
Colour	Transparent	UL 94 flammability rating	V-2

**Insulation coordination**

Rated voltage	250 V	Surge voltage category	III
Pollution severity	2	Insulating material group	IIIa
Protection degree	IP20	Dielectric strength, Input/Output	2.5 kV <sub>eff</sub> / 1 Min.
Creepage and clearance distance input - output	≥ 4 mm	Dielectric strength of neighbouring contacts	2.5 kV <sub>eff</sub> / 1 Min.
Dielectric strength of open contact	1.2 kV <sub>eff</sub> / 1 min.	Impulse withstand voltage	5 kV (1.2/50 μs)

## Data sheet

### RIDERSERIES RCM RCM270524

**Weidmüller Interface GmbH & Co. KG**  
 Klingenbergstraße 26  
 D-32758 Detmold  
 Germany  
 Fon: +49 5231 14-0  
 Fax: +49 5231 14-292083  
 www.weidmueller.com

## Technical data

### Further details of approvals / standards

Standards	IEC 61810-1, UL508	Certificate No. (CSA)	249409-2426937
Certificate No. (cURus)	E224238		

### Connection data

Wire connection method	Plug-in connection
------------------------	--------------------

### Classifications

ETIM 6.0	EC001437	ETIM 7.0	EC001437
eClass 9.0	27-37-16-01	eClass 9.1	27-37-16-01
eClass 10.0	27-37-16-01	UNSPSC	30-21-19-17

### Approvals

Approvals



ROHS	Conform
------	---------

### Downloads

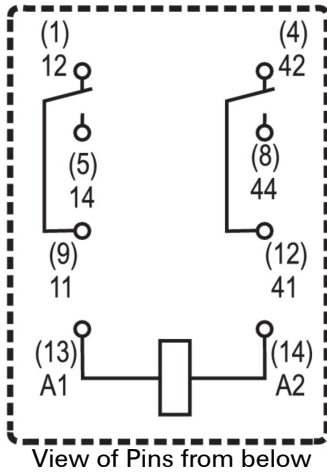
Approval/Certificate/Document of Conformity	<a href="#">EU Konformitätserklärung / EU Declaration of Conformity</a>
Brochure/Catalogue	<a href="#">CAT 4.2 ELECTR 18/19 EN</a>
Engineering Data	<a href="#">EPLAN, WSCAD</a>
Engineering Data	<a href="#">STEP</a>

**RIDERSERIES RCM  
RCM270524**

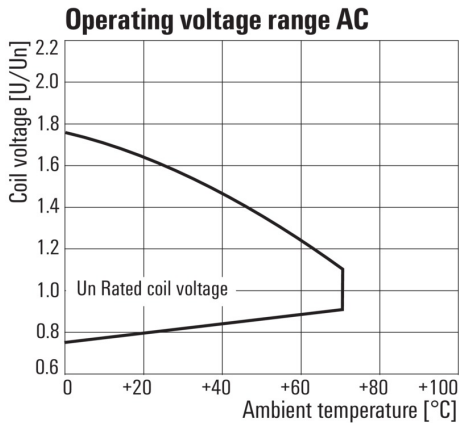
**Weidmüller Interface GmbH & Co. KG**  
Klingenbergstraße 26  
D-32758 Detmold  
Germany  
Fon: +49 5231 14-0  
Fax: +49 5231 14-292083  
www.weidmueller.com

**Drawings**

**Wiring diagram**

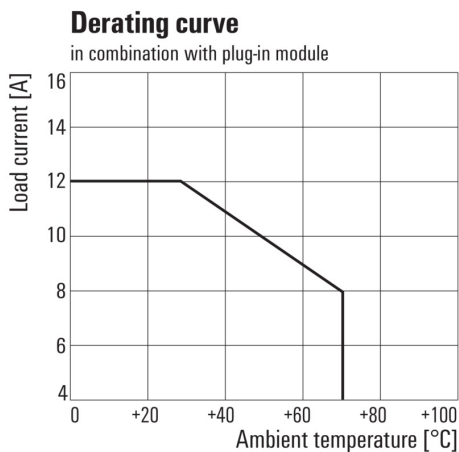


**Graph**



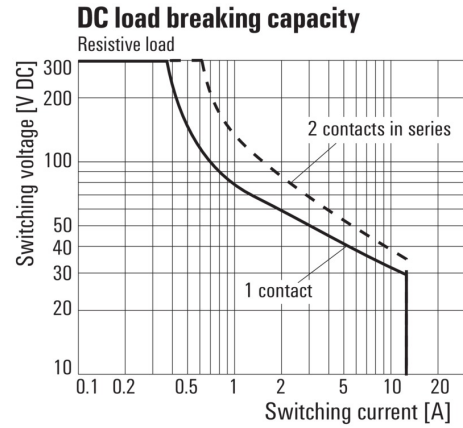
AC operational voltage range

**Graph**



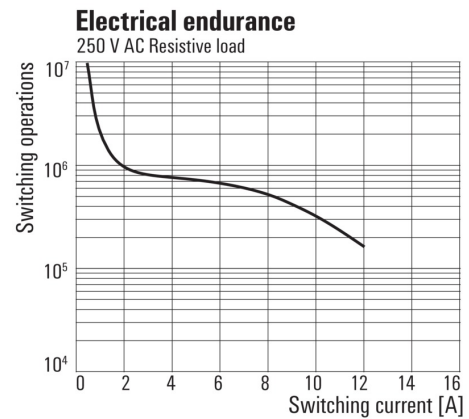
Derating curve  
Relay in combination with base

**Graph**



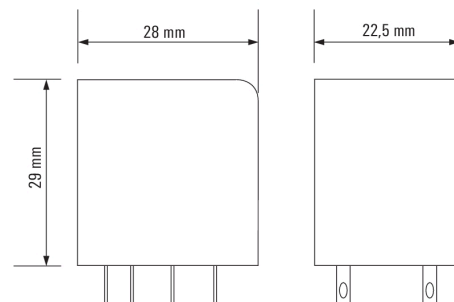
DC load limit curve  
Resistive load

**Graph**



Electrical service life  
250 V AC resistive load

**Dimensional drawing**



**RIDERSERIES RCM  
RCM270524**

**Weidmüller Interface GmbH & Co. KG**  
 Klingenbergstraße 26  
 D-32758 Detmold  
 Germany  
 Fon: +49 5231 14-0  
 Fax: +49 5231 14-292083  
 www.weidmueller.com

**Mating connector (fully pluggable)**
**Base**


Relay base for RIDERSERIES RCM relays

- 2, 3 and 4 CO contacts
- Screw and PUSH IN wire connection
- Standard and low heights

**General ordering data**

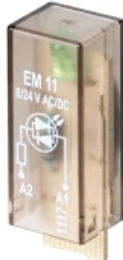
Type	SCM-I 2CO P	Version
Order No.	<a href="#">8876220000</a>	RIDERSERIES RCM, Relay bases, Number of contacts: 2 CO contact,
GTIN (EAN)	4032248609031	Continuous current: 12 A, PUSH IN
Qty.	10 pc(s).	
Type	SCM-I 4CO P	Version
Order No.	<a href="#">8869430000</a>	RIDERSERIES RCM, Relay bases, Number of contacts: 4 CO contact,
GTIN (EAN)	4032248614288	Continuous current: 6 A, PUSH IN
Qty.	10 pc(s).	
Type	SCM-I 4CO N	Version
Order No.	<a href="#">8869390000</a>	RIDERSERIES RCM, Relay bases, Number of contacts: 4 CO contact,
GTIN (EAN)	4032248614257	Continuous current: 6 A, Screw connection
Qty.	10 pc(s).	
Type	SCM-I 4CO	Version
Order No.	<a href="#">8869420000</a>	RIDERSERIES RCM, Relay bases, Number of contacts: 4 CO contact,
GTIN (EAN)	4032248614271	Continuous current: 6 A, Screw connection
Qty.	10 pc(s).	
Type	SCM-I 2CO	Version
Order No.	<a href="#">8869400000</a>	RIDERSERIES RCM, Relay bases, Number of contacts: 2 CO contact,
GTIN (EAN)	4032248614264	Continuous current: 12 A, Screw connection
Qty.	10 pc(s).	

## RIDERSERIES RCM RCM270524

**Weidmüller Interface GmbH & Co. KG**  
 Klingenbergstraße 26  
 D-32758 Detmold  
 Germany  
 Fon: +49 5231 14-0  
 Fax: +49 5231 14-292083  
 www.weidmueller.com

## Accessories

### LED



Pluggable protective modules for the RIDERSERIES RCI / RCM relay base, with optional protective functions.

- With either green or red LED
- For UC supply voltage

### General ordering data

Type	RIM-I 3 6/24VUC	Version
Order No.	<a href="#">8869630000</a>	RIDERSERIES, LED module, Rated control voltage: 6...24 V UC, Plug-in connection
GTIN (EAN)	4032248614578	
Qty.	10 pc(s).	
Type	RIM-I 3 24/60VUC	Version
Order No.	<a href="#">8869610000</a>	RIDERSERIES, LED module, Rated control voltage: 24...60 V UC, Plug-in connection
GTIN (EAN)	4032248614554	
Qty.	10 pc(s).	
Type	RIM-I 3 6/24VUC GN	Version
Order No.	<a href="#">8869640000</a>	RIDERSERIES, LED module, Rated control voltage: 6...24 V UC, Plug-in connection
GTIN (EAN)	4032248614585	
Qty.	10 pc(s).	
Type	RIM-I 3 24/60VUC GN	Version
Order No.	<a href="#">8869620000</a>	RIDERSERIES, LED module, Rated control voltage: 24...60 V UC, Plug-in connection
GTIN (EAN)	4032248614561	
Qty.	10 pc(s).	

### Plastic retaining clip



Plastic retaining clip for RIDERSERIES RCM relays

### General ordering data

Type	SCM-I CLIP P	Version
Order No.	<a href="#">8869440000</a>	RIDERSERIES RCM, Retaining clip
GTIN (EAN)	4032248614295	
Qty.	10 pc(s).	
Type	SCM-I CLIP N	Version
Order No.	<a href="#">8875620000</a>	RIDERSERIES RCM, Retaining clip
GTIN (EAN)	4032248608577	
Qty.	10 pc(s).	

**RIDERSERIES RCM  
RCM270524**

**Weidmüller Interface GmbH & Co. KG**  
 Klingenbergstraße 26  
 D-32758 Detmold  
 Germany  
 Fon: +49 5231 14-0  
 Fax: +49 5231 14-292083  
 www.weidmueller.com

**Accessories**
**Cross-connection for base with PUSH IN connection**


Weidmüller RIDERSERIES relays guarantee a noise-free, decoupled signal transmission in industrial automation concepts.

The are compact, quickly installed and can be fitted in the tightest of spaces.

- 2, 3 or 4 CO contacts
- optionally: AC or DC coils
- Relay with test button and integrated status display and/or free-wheel diode
- Optionally with hard gold plated 4 CO contacts
- pluggable LED modules with protective functions
- Metal and plastic retaining clips
- Base with screw / PUSH IN connection

**General ordering data**

Type	SCM-I QV P	Version	
Order No.	<a href="#">8870850000</a>	RIDERSERIES RCM, Cross-connector	
GTIN (EAN)	4032248631698		
Qty.	10 pc(s).		

**LED / Protective varistor**


Pluggable protective modules for the RIDERSERIES RCI / RCM relay base, with optional protective functions.

- With protective varistor
- For UC supply voltage

**General ordering data**

Type	RIM-I 4 24VUC VAR	Version	
Order No.	<a href="#">8869710000</a>	RIDERSERIES, Protective varistor, Rated control voltage: 24 V UC, Plug-	
GTIN (EAN)	4032248606344	in connection	
Qty.	10 pc(s).		

**RIDERSERIES RCM  
RCM270524**

**Weidmüller Interface GmbH & Co. KG**  
 Klingenbergstraße 26  
 D-32758 Detmold  
 Germany  
 Fon: +49 5231 14-0  
 Fax: +49 5231 14-292083  
 www.weidmueller.com

**Accessories**
**Cross-connection for base with screw connection**


You place stringent demands on your relay combinations in industrial environments. Our D-SERIES relay modules were

designed specifically for challenging industrial applications.

Let's connect.

In many industrial applications voltages between 110 and 220 V

are used to control actuators. With load currents exceeding 100 mA

these high voltages produce arcing that causes a great deal of wear on the relay contacts.

We have designed our D-SERIES relay modules specifically for universal usage

in a wide range of industrial applications. They are much more reliable

than conventional solutions, which minimises costs for maintenance and replacement.

Thanks to series connected contacts, built-in blow magnets and low-wear

contacts, arcing is effectively

suppressed with D-SERIES products – resulting in a noticeably longer service life.

**General ordering data**

Type	SCM-I QV S	Version
Order No.	<a href="#">1132080000</a>	RIDERSERIES RCM, Cross-connector
GTIN (EAN)	4032248912193	
Qty.	10 pc(s).	

**Base**


Relay base for RIDERSERIES RCM relays

- 2, 3 and 4 CO contacts
- Screw and PUSH IN wire connection
- Standard and low heights

**General ordering data**

Type	SCM-I 2CO P	Version
Order No.	<a href="#">8876220000</a>	RIDERSERIES RCM, Relay bases, Number of contacts: 2 CO contact,
GTIN (EAN)	4032248609031	Continuous current: 12 A, PUSH IN
Qty.	10 pc(s).	



## Data sheet

### RIDERSERIES RCM RCM270524

**Weidmüller Interface GmbH & Co. KG**  
 Klingenbergstraße 26  
 D-32758 Detmold  
 Germany  
 Fon: +49 5231 14-0  
 Fax: +49 5231 14-292083  
 www.weidmueller.com

## Accessories

Type	SCM-I 4CO P	Version
Order No.	<a href="#">8869430000</a>	RIDERSERIES RCM, Relay bases, Number of contacts: 4 CO contact,
GTIN (EAN)	4032248614288	Continuous current: 6 A, PUSH IN
Qty.	10 pc(s).	
Type	SCM-I 4CO N	Version
Order No.	<a href="#">8869390000</a>	RIDERSERIES RCM, Relay bases, Number of contacts: 4 CO contact,
GTIN (EAN)	4032248614257	Continuous current: 6 A, Screw connection
Qty.	10 pc(s).	
Type	SCM-I 4CO	Version
Order No.	<a href="#">8869420000</a>	RIDERSERIES RCM, Relay bases, Number of contacts: 4 CO contact,
GTIN (EAN)	4032248614271	Continuous current: 6 A, Screw connection
Qty.	10 pc(s).	
Type	SCM-I 2CO	Version
Order No.	<a href="#">8869400000</a>	RIDERSERIES RCM, Relay bases, Number of contacts: 2 CO contact,
GTIN (EAN)	4032248614264	Continuous current: 12 A, Screw connection
Qty.	10 pc(s).	

## Metal retaining clip

Metal retaining clip for RIDERSERIES RCM relays



## General ordering data

Type	SCM-I CLIP M	Version
Order No.	<a href="#">8869450000</a>	RIDERSERIES RCM, Retaining clip
GTIN (EAN)	4032248614301	
Qty.	10 pc(s).	

## Protection module



Pluggable protective modules for the RIDERSERIES RCI / RCM relay base, with optional protective functions.

- Optionally with free-wheel diode, load resistor or RC filter

## General ordering data

Type	RIM-I 1 6/230V	Version
Order No.	<a href="#">8869580000</a>	RIDERSERIES, Free-wheeling diode, Rated control voltage: 6...230 V
GTIN (EAN)	4032248614523	DC, Plug-in connection
Qty.	10 pc(s).	

Creation date May 1, 2020 7:07:38 AM CEST

Catalogue status 17.04.2020 / We reserve the right to make technical changes.

## RIDERSERIES RCM RCM270524

**Weidmüller Interface GmbH & Co. KG**  
 Klingenbergstraße 26  
 D-32758 Detmold  
 Germany  
 Fon: +49 5231 14-0  
 Fax: +49 5231 14-292083  
 www.weidmueller.com

## Accessories

Type	RIM-I 3 6/60VAC RC	Version	
Order No.	<a href="#">8869770000</a>	RIDERSERIES, RC filter, Rated control voltage: 6...60 V UC, Plug-in	
GTIN (EAN)	4032248606320	connection	
Qty.	10 pc(s).		

### Label (cannot be printed using PrintJet)



Weidmüller RIDERSERIES relays guarantee a noise-free, decoupled signal transmission in industrial automation concepts.

They are compact, quickly installed and can be fitted in the tightest of spaces.

- 2, 3 or 4 CO contacts
- optionally: AC or DC coils
- Relay with test button and integrated status display and/or free-wheel diode
- Optionally with hard gold plated 4 CO contacts
- pluggable LED modules with protective functions
- Metal and plastic retaining clips
- Base with screw / PUSH IN connection

### General ordering data

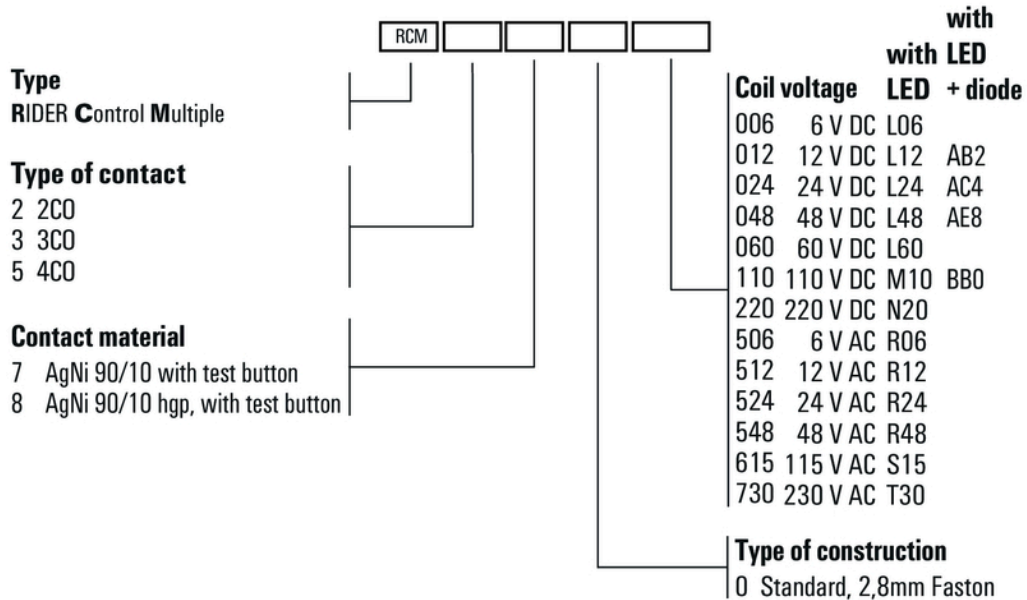
Type	SCM-I MARK	Version	
Order No.	<a href="#">8869460000</a>	RIDERSERIES RCM, Label	
GTIN (EAN)	4032248614417		
Qty.	10 pc(s).		

**RIDERSERIES RCM  
RCM270524**

**Weidmüller Interface GmbH & Co. KG**  
 Klingenbergstraße 26  
 D-32758 Detmold  
 Germany  
 Fon: +49 5231 14-0  
 Fax: +49 5231 14-292083  
 www.weidmueller.com

**Drawings**

**Miscellaneous**



Type codes