

WAVESERIES WAS2 VMA V AC

Weidmüller Interface GmbH & Co. KG
 Klingenbergstraße 26
 D-32758 Detmold
 Germany
 Fon: +49 5231 14-0
 Fax: +49 5231 14-292083
 www.weidmueller.com



The WAS/WAZ2 VMA V ac: single-phase AC voltage monitoring components with analogue output and external power supply.

On the input side, these components provide voltages in the ranges 0 to 30/70/130/260 and 450 VAC for measuring.

A standardised DC current/voltage signal is available on the output side.

The devices use the true RMS method and are capable of measuring voltages in the frequency range from 40 to 400 Hz with an accuracy of 1 to 2%. The input/output and supply are securely isolated with 4 kV.

The 24 VDC supply voltage can be bridged using pluggable ZQV 2.5N jumpers on the module side.

General ordering data

Delivery status	This article will no longer be available in the future.
Available until	2019-05-31
Type	WAS2 VMA V AC
Order No.	8581220000
Version	WAVESERIES, Voltage monitoring, 1, 1, Screw connection
GTIN (EAN)	4032248234622
Qty.	1 pc(s).
Alternative product	7760054306

**WAVESERIES
WAS2 VMA V AC**

Weidmüller Interface GmbH & Co. KG
 Klingenbergstraße 26
 D-32758 Detmold
 Germany
 Fon: +49 5231 14-0
 Fax: +49 5231 14-292083
 www.weidmueller.com

Technical data**Dimensions and weights**

Length	92.4 mm	Length (inches)	3.638 inch
Width	22.5 mm	Width (inches)	0.886 inch
Depth	112.4 mm	Depth (inches)	4.425 inch
Weight	200 g	Net weight	149.8 g

Temperatures

Operating temperature, max.	50 °C	Operating temperature, min.	0 °C
Storage temperature, max.	70 °C	Storage temperature, min.	-20 °C
Operating temperature	0 °C...50 °C	Storage temperature	-20 °C...70 °C

Probability of failure

MTTF	371 Jahre
------	-----------

Environmental Product Compliance

REACH SVHC	Lead 7439-92-1
------------	----------------

Input

Number of inputs	1	Input resistance, voltage	30 kΩ / 70 kΩ / 130 kΩ / 250 kΩ / 450 kΩ
Input measurement range	0...30 V AC, 0...70 V AC, 0...130 V AC, 0...250 V AC, 0...450 V AC	Input frequency	40...400 Hz sinus

Output

Number of outputs	1	Output voltage, note	0...10 V
Output current	0(4)...20 mA	load impedance voltage	≥ 1 kΩ
Load impedance current	≤ 600 Ω	Offset voltage	max. 0.02 V
Offset current	max. 40 μA	Status indicator	Green LED

General data

Accuracy	1,3 % (40...60 Hz) typ. 1 %; 2 % (70...400 Hz) typ. 1,5 %	Configuration	DIP switch
Current consumption	40...30...24 mA @ I _{OUT} = 20 mA	Current-carrying capacity of cross-connect.	≤ 2 A
Galvanic isolation	3-way isolator	Input/Output	configurable
Rail	TS 35	Step response time	< 300 ms
Temperature coefficient	≤ 250 ppm/K	Voltage supply	24 V DC ± 25 %

**WAVESERIES
WAS2 VMA V AC**

Weidmüller Interface GmbH & Co. KG
 Klingenbergstraße 26
 D-32758 Detmold
 Germany
 Fon: +49 5231 14-0
 Fax: +49 5231 14-292083
 www.weidmueller.com

Technical data**Insulation coordination**

Clearance & creepage distances	Supply/output: 3 mm; Input/Output, Supply/ output: 5.5 mm	EMC standards	EN 61000-2-6, EN 61000-6, EN 61326
Galvanic isolation	3-way isolator	Impulse withstand voltage	Supply/output: 4 kV; input/ output, input/output: 6 kV
Insulation voltage	4 kV _{eff} / 5 s	Insulation voltage input or output/supply	Input / power: 4 kV _{eff} / 5 s; output / power supply: 2 kV _{eff} / 5 s
Pollution severity	2	Rated voltage	supply/output: 300 V; input/output, supply/ output: 600 V
Surge voltage category	III		

Connection data

Type of connection	Screw connection	Clamping range, rated connection	2.5 mm ²
Clamping range, min.	0.5 mm ²	Clamping range, max.	2.5 mm ²

Classifications

ETIM 6.0	EC002653	ETIM 7.0	EC002653
eClass 9.0	27-21-01-20	eClass 9.1	27-21-01-20
eClass 10.0	27-21-01-20	UNSPSC	30-21-18-01

Product information

Product information	This product will soon be replaced by a new product. Please do not use with new systems. Please contact our technical support.
---------------------	---

Approvals

Approvals



ROHS	Conform
------	---------

Downloads

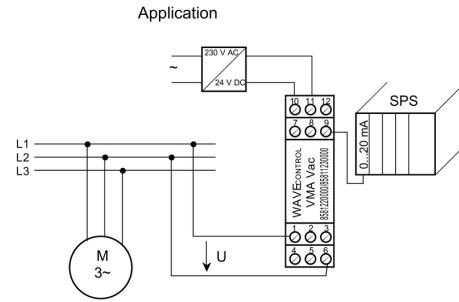
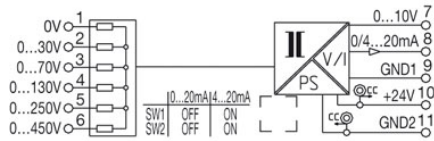
Approval/Certificate/Document of Conformity	Declaration of Conformity
Brochure/Catalogue	CAT 4.1 ELECTR 16/17 EN
User Documentation	Instruction sheet

**WAVESERIES
WAS2 VMA V AC**

Weidmüller Interface GmbH & Co. KG
 Klingenbergstraße 26
 D-32758 Detmold
 Germany
 Fon: +49 5231 14-0
 Fax: +49 5231 14-292083
 www.weidmueller.com

Drawings

Electric symbol



**WAVESERIES
WAS2 VMA V AC**

Weidmüller Interface GmbH & Co. KG
 Klingenbergstraße 26
 D-32758 Detmold
 Germany
 Fon: +49 5231 14-0
 Fax: +49 5231 14-292083
 www.weidmueller.com

Accessories

ZQV 2.5N



Spring connection with tension clamp Technology

Tension clamp technology is a universal contact system for all common conductor connection types. Its fantastic level of flexibility makes the tension clamp a profitable alternative connection.

General ordering data

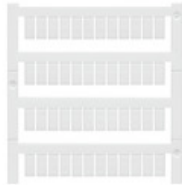
Type	ZQV 2.5N/2 RT	Version
Order No.	1717900000	Accessories, Z-series, Cross-connector, 24 A
GTIN (EAN)	4008190349288	
Qty.	60 pc(s).	
Type	ZQV 2.5N/2 BL	Version
Order No.	1717990000	Accessories, Cross-connector, 24 A
GTIN (EAN)	4008190349295	
Qty.	60 pc(s).	
Type	ZQV 2.5N/2 SW	Version
Order No.	1718080000	Accessories, Cross-connector, 24 A
GTIN (EAN)	4008190349301	
Qty.	60 pc(s).	
Type	ZQV 2.5N/2 GE	Version
Order No.	1693800000	Z-series, Cross-connector, 24 A
GTIN (EAN)	4008190883621	
Qty.	60 pc(s).	

**WAVESERIES
WAS2 VMA V AC**

Weidmüller Interface GmbH & Co. KG
 Klingenbergstraße 26
 D-32758 Detmold
 Germany
 Fon: +49 5231 14-0
 Fax: +49 5231 14-292083
 www.weidmueller.com

Accessories

Blank



WS markers are the perfect match for the W-series connectors. Thanks to their system compatibility, the WS tags can also be used with the I-series and the Z-series. The large marking surfaces do not only permit long character strings but also multi-line text. WS markers are ideal for labels with long, customised character strings. Thanks to the proven MultiCard format, printing with laser printer, PrintJet ADVANCED, plotter or MC-Mobilo is possible.

- Can be fitted in strips or individually
- Markers in proven MultiCard format

For custom printing: Please send us a file of our labeling software M-Print PRO or M-Print PRO Online (without installation) for your labeling specifications.

General ordering data

Type	WS 10/5 MC NE WS	Version	
Order No.	1635000000		WS, Terminal marker, 10 x 5 mm, Pitch in mm (P): 5.00 Weidmueller,
GTIN (EAN)	4008190261948		Allen-Bradley, white
Qty.	720 pc(s).		