

RSSD RS SD15S UNC LPK2

Weidmüller Interface GmbH & Co. KG
 Klingenbergstraße 26
 D-32758 Detmold
 Germany
 Fon: +49 5231 14-0
 Fax: +49 5231 14-292083
 www.weidmueller.com



Similar to illustration

Passive interfaces for signal transmission on a SubD connector equipped with a clamping-yoke connection in accordance with IEC 807-2 / DIN 41652. The main features include:

- Group with 9-, 15-, 37- and 50-pole male and female connectors.
- One-to-one electrical connection between controller and field connections.
- Extremely compact modules in RS 45 section for installation on standard TS35 mounting rail.
- Pin for the earth connection.

General ordering data

Type	RS SD15S UNC LPK2
Order No.	8233350000
Version	Interface, RSSD, D-sub connectors, acc. to IEC 60807 / DIN 41652, 15-pole plug, Screw connection
GTIN (EAN)	4008190437305
Qty.	1 pc(s).

Creation date May 1, 2020 7:46:55 AM CEST

Catalogue status 17.04.2020 / We reserve the right to make technical changes.

**RSSD
RS SD15S UNC LPK2**

Weidmüller Interface GmbH & Co. KG
 Klingenbergstraße 26
 D-32758 Detmold
 Germany
 Fon: +49 5231 14-0
 Fax: +49 5231 14-292083
 www.weidmueller.com

Technical data**Dimensions and weights**

Length	61 mm	Length (inches)	2.402 inch
Width	45 mm	Width (inches)	1.772 inch
Height	65.5 mm	Height (inches)	2.579 inch
Net weight	103 g		

Temperatures

Operating temperature, max.	55 °C	Operating temperature, min.	0 °C
Storage temperature, max.	70 °C	Storage temperature, min.	-40 °C
Operating temperature	0...55 °C	Storage temperature	-40...70 °C

Environmental Product Compliance

REACH SVHC	Lead 7439-92-1
------------	----------------

Connection Data

Connection on control side	D-sub connectors, acc. to IEC 60807 / DIN 41652	Number of poles (control side)	15-pole plug
Design of locking system	UNC 4/40	Connection (field side)	LPK 2H 5.08mm
Earthing	Yes	Protective earth connection	Flat-blade contact

Rating data

Rated voltage	100 V	Rated current per connection	1.5 A
---------------	-------	------------------------------	-------

Insulation coordination (EN50178)

According to	DIN EN 50178	Rated insulation voltage	100 V
Surge voltage category	II	Pollution severity level	2
Pulse voltage test (1,2/50µs)	0.8 kV		

Connection field

Type of connection	Screw connection	Clamping range, min.	0.15 mm ²
Clamping range, max.	1.5 mm ²	Solid, min. H05(07) V-U	0.5 mm ²
Solid, max. H05(07) V-U	6 mm ²	Flexible, min. H05(07) V-K	0.5 mm ²
Flexible, max. H05(07) V-K	4 mm ²	Flexible with sleeve, max.	2.5 mm ²
Flexible with sleeve, min.	0.5 mm ²	Sleeve with plastic collar, max.	2.5 mm ²
Min. wire cross-section, AWG	AWG 26	Max. wire cross-section, AWG	AWG 12
Tightening torque, min.	0.5 Nm	Tightening torque, max.	0.6 Nm
Stripping length	6 mm		

Classifications

ETIM 6.0	EC002780	ETIM 7.0	EC002780
eClass 9.0	27-14-11-52	eClass 9.1	27-14-11-52
eClass 10.0	27-14-11-52	UNSPSC	30-21-18-01

Data sheet

**RSSD
RS SD15S UNC LPK2**

Weidmüller Interface GmbH & Co. KG
Klingenbergstraße 26
D-32758 Detmold
Germany
Fon: +49 5231 14-0
Fax: +49 5231 14-292083
www.weidmueller.com

Technical data

Approvals

Approvals



ROHS

Conform

Downloads

Engineering Data

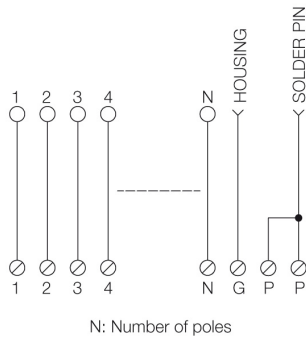
[WSCAD](#)

Data sheet

**RSSD
RS SD15S UNC LPK2**

Weidmüller Interface GmbH & Co. KG
Klingenbergstraße 26
D-32758 Detmold
Germany
Fon: +49 5231 14-0
Fax: +49 5231 14-292083
www.weidmueller.com

Drawings



**RSSD
RS SD15S UNC LPK2**

Weidmüller Interface GmbH & Co. KG
 Klingenbergstraße 26
 D-32758 Detmold
 Germany
 Fon: +49 5231 14-0
 Fax: +49 5231 14-292083
 www.weidmueller.com

Accessories

End bracket



Klippon® Connect with clamping yoke Technology
 The high reliability and variety of designs of the terminal blocks with clamping yoke connections make planning easier and optimises operational safety. Klippon® Connect provides a proven response to a range of different requirements.

General ordering data

Type	EW 35 GR 7032	Version
Order No.	0383530000	Accessories, End bracket
GTIN (EAN)	4008190027322	
Qty.	50 pc(s).	

TS 35



General ordering data

Type	TS 35X7.5 2M/ST/ZN	Version
Order No.	0383400000	Rail, TS 35, TS 35 x 7.5, without slot, Steel, galvanic zinc plated and passivated
GTIN (EAN)	4008190088026	
Qty.	2 m	
Type	TS 35X15/2.3 2M/ST/ZN	Version
Order No.	0498000000	Rail, TS 35, TS 35 x 15, without slot, Steel, galvanic zinc plated and passivated
GTIN (EAN)	4008190042493	
Qty.	2 m	