

RSF RS F26 LP3R 3/27

Weidmüller Interface GmbH & Co. KG
 Klingenbergstraße 26
 D-32758 Detmold
 Germany
 Fon: +49 5231 14-0
 Fax: +49 5231 14-292083
 www.weidmueller.com



Similar to illustration

Passive interfaces for signal transmission on a flat-cable connector equipped with a clamping-yoke connection in accordance with IEC 603-1 / DIN 41651.

The main features include:

- Group with 10- to 64-pole connectors
- One-to-one electrical connection between controller and field connections.
- Very compact triple-level modules can be attached to conventional TS35 or TS32 mounting rails.
- Longer attachment hooks
- Pin for the earth connection.

General ordering data

Type	RS F26 LP3R 3/27
Order No.	8012920000
Version	Interface, RSF, Plug-in connector in acc. with IEC60603-13 / DIN41651, 26-pole, Screw connection
GTIN (EAN)	4008190092368
Qty.	1 pc(s).

Creation date May 1, 2020 8:03:25 AM CEST

Catalogue status 17.04.2020 / We reserve the right to make technical changes.

RSF
RS F26 LP3R 3/27

Weidmüller Interface GmbH & Co. KG
 Klingenbergstraße 26
 D-32758 Detmold
 Germany
 Fon: +49 5231 14-0
 Fax: +49 5231 14-292083
 www.weidmueller.com

Technical data**Dimensions and weights**

Length	55 mm	Length (inches)	2.165 inch
Width	87 mm	Width (inches)	3.425 inch
Height	76 mm	Height (inches)	2.992 inch
Net weight	151 g		

Temperatures

Operating temperature, max.	55 °C	Operating temperature, min.	0 °C
Storage temperature, max.	70 °C	Storage temperature, min.	-40 °C
Operating temperature	0...55 °C	Storage temperature	-40...70 °C

Environmental Product Compliance

REACH SVHC	Lead 7439-92-1
------------	----------------

Connection Data

Connection on control side	Plug-in connector in acc. with IEC60603-13 / DIN41651	Number of poles (control side)	26-pole
Connection (field side)	LP3R 5.08mm	Earthing	Yes
Protective earth connection	Flat-blade contact		

Rating data

Rated voltage	60 V AC / 75 V DC	Rated current per connection	1 A
---------------	-------------------	------------------------------	-----

Insulation coordination (EN50178)

According to	DIN EN 50178	Rated insulation voltage	100 V
Surge voltage category	II	Pollution severity level	2
Pulse voltage test (1,2/50µs)	0.8 kV		

Connection field

Type of connection	Screw connection	Clamping range, min.	0.13 mm ²
Clamping range, max.	6 mm ²	Solid, min. H05(07) V-U	0.5 mm ²
Solid, max. H05(07) V-U	6 mm ²	Flexible, min. H05(07) V-K	0.5 mm ²
Flexible, max. H05(07) V-K	4 mm ²	Flexible with sleeve, max.	2.5 mm ²
Flexible with sleeve, min.	0.5 mm ²	Sleeve with plastic collar, max.	2.5 mm ²
Min. wire cross-section, AWG	AWG 26	Max. wire cross-section, AWG	AWG 12
Tightening torque, min.	0.5 Nm	Tightening torque, max.	0.6 Nm
Stripping length	6 mm		

Classifications

ETIM 6.0	EC002780	ETIM 7.0	EC002780
eClass 9.0	27-14-11-52	eClass 9.1	27-14-11-52
eClass 10.0	27-14-11-52	UNSPSC	30-21-18-01

Data sheet**RSF
RS F26 LP3R 3/27****Weidmüller Interface GmbH & Co. KG**
Klingenbergstraße 26
D-32758 Detmold
Germany
Fon: +49 5231 14-0
Fax: +49 5231 14-292083
www.weidmueller.com**Technical data****Approvals**

Approvals



ROHS

Conform

DownloadsApproval/Certificate/Document of
Conformity[K318_01_11.pdf](#)

Engineering Data

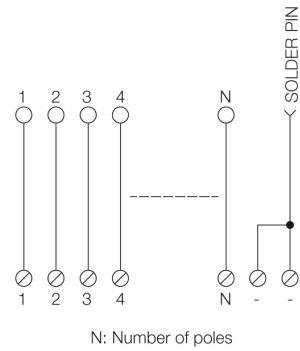
[WSCAD](#)

Data sheet

RSF
RS F26 LP3R 3/27

Weidmüller Interface GmbH & Co. KG
Klingenbergstraße 26
D-32758 Detmold
Germany
Fon: +49 5231 14-0
Fax: +49 5231 14-292083
www.weidmueller.com

Drawings



Data sheet

**RSF
RS F26 LP3R 3/27**

Weidmüller Interface GmbH & Co. KG
Klingenbergstraße 26
D-32758 Detmold
Germany
Fon: +49 5231 14-0
Fax: +49 5231 14-292083
www.weidmueller.com

Accessories

TS 32



General ordering data

Type	TS 32X15 2M/ST/ZN	Version
Order No.	0122800000	Rail, TS 32, without slot, Steel, galvanic zinc plated and passivated
GTIN (EAN)	4008190066307	
Qty.	2 m	

End bracket



Klippon® Connect with clamping yoke Technology

The high reliability and variety of designs of the terminal blocks with clamping yoke connections make planning easier and optimises operational safety. Klippon® Connect provides a proven response to a range of different requirements.

General ordering data

Type	EWK 2	Version
Order No.	0199360000	Accessories, End bracket
GTIN (EAN)	4008190023546	
Qty.	50 pc(s).	
Type	EW 35	Version
Order No.	0383560000	Accessories, End bracket
GTIN (EAN)	4008190181314	
Qty.	50 pc(s).	

**RSF
RS F26 LP3R 3/27**

Weidmüller Interface GmbH & Co. KG
 Klingenbergstraße 26
 D-32758 Detmold
 Germany
 Fon: +49 5231 14-0
 Fax: +49 5231 14-292083
 www.weidmueller.com

Accessories

TS 35



General ordering data

Type	TS 35X7.5 2M/ST/ZN	Version
Order No.	0383400000	Rail, TS 35, TS 35 x 7.5, without slot, Steel, galvanic zinc plated and passivated
GTIN (EAN)	4008190088026	
Qty.	2 m	
Type	TS 35X15/2.3 2M/CU/BK	Version
Order No.	0270100000	Rail, TS 35, TS 35 x 15, without slot, Copper, untreated
GTIN (EAN)	4008190105136	
Qty.	2 m	
Type	TS 35X15/2.3 2M/ST/ZN	Version
Order No.	0498000000	Rail, TS 35, TS 35 x 15, without slot, Steel, galvanic zinc plated and passivated
GTIN (EAN)	4008190042493	
Qty.	2 m	
Type	TS 35X15/2.3 2M/AL/BK	Version
Order No.	1848290000	Rail, TS 35, TS 35 x 15, without slot, Aluminium, untreated
GTIN (EAN)	4032248385614	
Qty.	2 m	