

**RSF
RS F16 LP3R 3/18**

Weidmüller Interface GmbH & Co. KG
Klingenbergstraße 26
D-32758 Detmold
Germany
Fon: +49 5231 14-0
Fax: +49 5231 14-292083
www.weidmueller.com



Similar to illustration

Passive interfaces for signal transmission on a flat-cable connector equipped with a clamping-yoke connection in accordance with IEC 603-1 / DIN 41651.

The main features include:

- Group with 10- to 64-pole connectors
- One-to-one electrical connection between controller and field connections.
- Very compact triple-level modules can be attached to conventional TS35 or TS32 mounting rails.
- Longer attachment hooks
- Pin for the earth connection.

General ordering data

Type	RS F16 LP3R 3/18
Order No.	8012870000
Version	Interface, RSF, Plug-in connector in acc. with IEC60603-13 / DIN41651, 16-pole, Screw connection
GTIN (EAN)	4008190126865
Qty.	1 pc(s).

Creation date May 1, 2020 8:03:50 AM CEST

Catalogue status 17.04.2020 / We reserve the right to make technical changes.

RSF
RS F16 LP3R 3/18

Weidmüller Interface GmbH & Co. KG
 Klingenbergstraße 26
 D-32758 Detmold
 Germany
 Fon: +49 5231 14-0
 Fax: +49 5231 14-292083
 www.weidmueller.com

Technical data
Dimensions and weights

Length	50 mm	Length (inches)	1.969 inch
Width	87 mm	Width (inches)	3.425 inch
Height	76 mm	Height (inches)	2.992 inch
Net weight	122 g		

Temperatures

Operating temperature, max.	55 °C	Operating temperature, min.	0 °C
Storage temperature, max.	70 °C	Storage temperature, min.	-40 °C
Operating temperature	0...55 °C	Storage temperature	-40...70 °C

Environmental Product Compliance

REACH SVHC	Lead 7439-92-1
------------	----------------

Connection Data

Connection on control side	Plug-in connector in acc. with IEC60603-13 / DIN41651	Number of poles (control side)	16-pole
Connection (field side)	LP3R 5.08mm	Earthing	Yes
Protective earth connection	Flat-blade contact		

Rating data

Rated voltage	60 V AC / 75 V DC	Rated current per connection	1 A
---------------	-------------------	------------------------------	-----

Insulation coordination (EN50178)

According to	DIN EN 50178	Rated insulation voltage	100 V
Surge voltage category	II	Pollution severity level	2
Pulse voltage test (1,2/50µs)	0.8 kV		

Connection field

Type of connection	Screw connection	Clamping range, min.	0.13 mm ²
Clamping range, max.	6 mm ²	Solid, min. H05(07) V-U	0.5 mm ²
Solid, max. H05(07) V-U	6 mm ²	Flexible, min. H05(07) V-K	0.5 mm ²
Flexible, max. H05(07) V-K	4 mm ²	Flexible with sleeve, max.	2.5 mm ²
Flexible with sleeve, min.	0.5 mm ²	Sleeve with plastic collar, max.	2.5 mm ²
Min. wire cross-section, AWG	AWG 26	Max. wire cross-section, AWG	AWG 12
Tightening torque, min.	0.5 Nm	Tightening torque, max.	0.6 Nm
Stripping length	6 mm		

Classifications

ETIM 6.0	EC002780	ETIM 7.0	EC002780
eClass 9.0	27-14-11-52	eClass 9.1	27-14-11-52
eClass 10.0	27-14-11-52	UNSPSC	30-21-18-01

Data sheet**RSF
RS F16 LP3R 3/18****Weidmüller Interface GmbH & Co. KG**
Klingenbergstraße 26
D-32758 Detmold
Germany
Fon: +49 5231 14-0
Fax: +49 5231 14-292083
www.weidmueller.com**Technical data****Approvals**

Approvals



ROHS

Conform

DownloadsApproval/Certificate/Document of
Conformity[K318_01_11.pdf](#)

Engineering Data

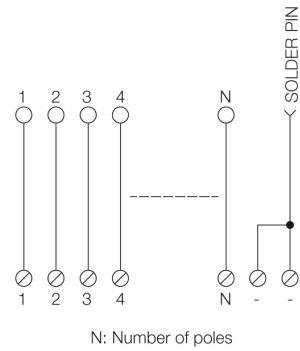
[WSCAD](#)

Data sheet

RSF
RS F16 LP3R 3/18

Weidmüller Interface GmbH & Co. KG
Klingenbergstraße 26
D-32758 Detmold
Germany
Fon: +49 5231 14-0
Fax: +49 5231 14-292083
www.weidmueller.com

Drawings



Data sheet

**RSF
RS F16 LP3R 3/18**

Weidmüller Interface GmbH & Co. KG
 Klingenbergstraße 26
 D-32758 Detmold
 Germany
 Fon: +49 5231 14-0
 Fax: +49 5231 14-292083
 www.weidmueller.com

Accessories

TS 32



General ordering data

Type	TS 32X15 2M/ST/ZN	Version
Order No.	0122800000	Rail, TS 32, without slot, Steel, galvanic zinc plated and passivated
GTIN (EAN)	4008190066307	
Qty.	2 m	

End bracket



Klippon® Connect with clamping yoke Technology

The high reliability and variety of designs of the terminal blocks with clamping yoke connections make planning easier and optimises operational safety. Klippon® Connect provides a proven response to a range of different requirements.

General ordering data

Type	EWK 2	Version
Order No.	0199360000	Accessories, End bracket
GTIN (EAN)	4008190023546	
Qty.	50 pc(s).	
Type	EW 35	Version
Order No.	0383560000	Accessories, End bracket
GTIN (EAN)	4008190181314	
Qty.	50 pc(s).	

**RSF
RS F16 LP3R 3/18**

Weidmüller Interface GmbH & Co. KG
 Klingenbergstraße 26
 D-32758 Detmold
 Germany
 Fon: +49 5231 14-0
 Fax: +49 5231 14-292083
 www.weidmueller.com

Accessories

TS 35



General ordering data

Type	TS 35X7.5 2M/ST/ZN	Version
Order No.	0383400000	Rail, TS 35, TS 35 x 7.5, without slot, Steel, galvanic zinc plated and passivated
GTIN (EAN)	4008190088026	
Qty.	2 m	
Type	TS 35X15/2.3 2M/CU/BK	Version
Order No.	0270100000	Rail, TS 35, TS 35 x 15, without slot, Copper, untreated
GTIN (EAN)	4008190105136	
Qty.	2 m	
Type	TS 35X15/2.3 2M/ST/ZN	Version
Order No.	0498000000	Rail, TS 35, TS 35 x 15, without slot, Steel, galvanic zinc plated and passivated
GTIN (EAN)	4008190042493	
Qty.	2 m	
Type	TS 35X15/2.3 2M/AL/BK	Version
Order No.	1848290000	Rail, TS 35, TS 35 x 15, without slot, Aluminium, untreated
GTIN (EAN)	4032248385614	
Qty.	2 m	