

## Klippon TB (Terminal Box) KTB MH 221513 Exia

**Weidmüller Interface GmbH & Co. KG**  
Klingenbergstraße 26  
D-32758 Detmold  
Germany  
Fon: +49 5231 14-0  
Fax: +49 5231 14-292083  
www.weidmueller.com



The Klippon® brand has long stood for competence and quality in housings, particularly when customer solutions for standard industrial applications and applications in explosive risk zones are concerned.

Weidmüller meets these requirements with its range of steel sheet enclosures in the new Klippon® TB series, available in Multi-Hinge (MH) and Quarter-Lock (QL) versions, the Klippon® STB series and the aluminium enclosures of the Klippon® K series.

The portfolio is rounded off with the polyester enclosures of the Klippon® POK series and the polycarbonate enclosures.

Irrespective of which application users are planning, Weidmüller offers numerous precisely fitting housing solutions and individual services: turnkey enclosures with customer-specific configurations such as terminal rails, drilled holes, cable glands, cutouts, special coatings and much more besides.

### General ordering data

Type	KTB MH 221513 Exia
Order No.	<a href="#">8000028398</a>
Version	Klippon TB (Terminal Box), Terminal Box, stainless steel enclosure, Height: 229 mm, Width: 152 mm, Depth: 133 mm, Gland plates: Bottom, Material: Stainless steel 1.4404 (316L), electropolished, silver
GTIN (EAN)	4050118593723
Qty.	1 pc(s).
Reference product	<a href="#">1194560000</a> <a href="#">1020180000</a> <a href="#">2519550000</a>

**Klippon TB (Terminal Box)  
KTB MH 221513 Exia**

**Weidmüller Interface GmbH & Co. KG**  
Klingenbergstraße 26  
D-32758 Detmold  
Germany  
Fon: +49 5231 14-0  
Fax: +49 5231 14-292083  
www.weidmueller.com

**Technical data**
**Dimensions and weights**

Width	152 mm	Width (inches)	5.984 inch
Height	229 mm	Height (inches)	9.016 inch
Depth	133 mm	Depth (inches)	5.236 inch
Mounting dimension - width	178 mm	Mounting dimension - height	152 mm
Net weight	3,689.955 g	Diameter	11 mm

**Environmental Product Compliance**

REACH SVHC Lead 7439-92-1

**Certificate numbers enclosure**

Certificate no. assembled enclosure (ATEX)	IBExU14ATEX1050	Certificate no. assembled enclosure (IECEX)	IECEX IBE 14.0013
Identification	Ex ia IIC T4 Ga		

**vertical assembly**

WDU 4 / ZDU 4 1x22

**Housing**

Drill holes side A	none	Drill holes side B	2 x M16, 3 x M20, 1 x BDX
Drill holes side C	none	Drill holes side D	none
Material	Stainless steel 1.4404 (316L)	Material type plate	Polyester coated with aluminium

**Classifications**

ETIM 6.0	EC002503	ETIM 7.0	EC002503
eClass 9.0	27-18-05-02	eClass 9.1	27-18-05-02
eClass 10.0	27-18-05-02		

**Approvals**

Approvals CE; ATEX; IECEX

**Downloads**

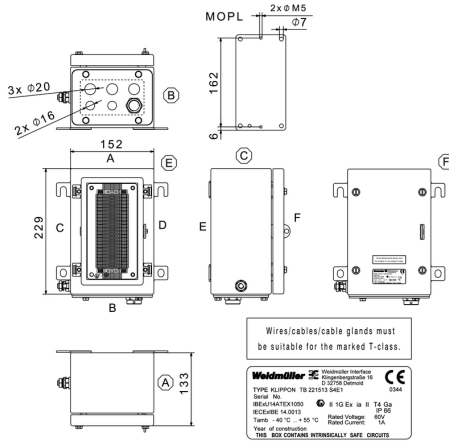
Brochure/Catalogue [CAT 5 ENCL 17/18 EN](#)

**Data sheet**

**Klippon TB (Terminal Box)  
KTB MH 221513 Exia**

**Weidmüller Interface GmbH & Co. KG**  
Klingenbergstraße 26  
D-32758 Detmold  
Germany  
Fon: +49 5231 14-0  
Fax: +49 5231 14-292083  
www.weidmueller.com

**Drawings**



## Klippon TB (Terminal Box) KTB MH 221513 Exia

**Weidmüller Interface GmbH & Co. KG**  
 Klingenbergstraße 26  
 D-32758 Detmold  
 Germany  
 Fon: +49 5231 14-0  
 Fax: +49 5231 14-292083  
 www.weidmueller.com

# Accessories

## 229 x 152mm



### Integrate, expand and customise:

#### The ideal expansion for every application

The consistent structure of accessories for the new Klippon® TB enclosure range means that you can easily adapt the enclosure to the specific requirements of each application.

#### Mounting plates

Mounting plates, with and without hole patterns, for longitudinal and transverse mounting of DIN mounting rails or components directly onto the mounting plate.

### General ordering data

Type	KTB MOPL 2215 S2N	Version	
Order No.	<a href="#">1193810000</a>	Klippon TB (Terminal Box), Mounting plate, Height: 174 mm, Width:	
GTIN (EAN)	4050118028409	91 mm, Depth: 12 mm, Material: Stainless steel 1.4301 (304),	
Qty.	1 pc(s).	untreated, silver	

## Earthing stud



### Integrate, expand and customise:

#### The ideal expansion for every application

The consistent structure of accessories for the new Klippon® TB enclosure range means that you can easily adapt the enclosure to the specific requirements of each application.

#### Earthing bolt

Earthing bolts to exchange as a complete component, in two versions – brass and stainless steel.

### General ordering data

Type	PEBZ M10 KTB S4 SET	Version	
Order No.	<a href="#">1192690000</a>	Klippon TB (Terminal Box), Earthing stud, Miscellaneous, Material:	
GTIN (EAN)	4032248974658	Stainless steel 1.4404, untreated, silver	
Qty.	1 pc(s).		

**Klippon TB (Terminal Box)  
KTB MH 221513 Exia**

**Weidmüller Interface GmbH & Co. KG**  
Klingenbergstraße 26  
D-32758 Detmold  
Germany  
Fon: +49 5231 14-0  
Fax: +49 5231 14-292083  
www.weidmueller.com

**Accessories**
**Brass cable glands Ex e**


Brass cable glands which are suitable for usage in explosion risk zone Ex e (Increased safety). They have been tested to the latest norms and standards EN 60079-0:2009, and also achieved the necessary ATEX certificate.

**General ordering data**

Type	VG M16 EXE MS	Version
Order No.	<a href="#">1460040000</a>	VG Ex MS (Ex brass cable gland), Cable glands, M 16, 16 mm, OD
GTIN (EAN)	4050118265989	min. 3 - OD max. 12 mm, IP66, IP68, Brass, nickel-plated
Qty.	50 pc(s).	
Type	VG M20 EXE MS	Version
Order No.	<a href="#">1460050000</a>	VG Ex MS (Ex brass cable gland), Cable glands, M 20, 16 mm, OD
GTIN (EAN)	4050118266085	min. 3 - OD max. 12 mm, IP66, IP68, Brass, nickel-plated
Qty.	50 pc(s).	

**Brass nuts, standard, nickel-plated**


Weidmüller has a variety of different cable and wire entry systems in the Portfolio: with different designs of plastic, brass and stainless steel cable glands in the IP66, 67, 68 or IP69k protection classes. As a complete alternative to cable glands, pre-assembled cables with modular multi-wire or multi-cable entry systems can be simply and quickly inserted into electrical equipment. Last but not least, Weidmüller offers EX-certified cable glands and cable/wire entry systems.

- Cable glands made from plastic and brass
- EMC screwed joints
- for areas at risk of explosion
- VDE, CSA and UL approvals

**General ordering data**

Type	SKMU M20 MS	Version
Order No.	<a href="#">1737000000</a>	SKMU MS (brass locknut), Locknut, M 20, 3 mm, Brass, nickel-plated
GTIN (EAN)	4008190956479	
Qty.	100 pc(s).	
Type	SKMU M16 MS	Version
Order No.	<a href="#">1736990000</a>	SKMU MS (brass locknut), Locknut, M 16, 2.8 mm, Brass, nickel-plated
GTIN (EAN)	4008190956462	
Qty.	100 pc(s).	

## Klippon TB (Terminal Box) KTB MH 221513 Exia

**Weidmüller Interface GmbH & Co. KG**  
 Klingenbergstraße 26  
 D-32758 Detmold  
 Germany  
 Fon: +49 5231 14-0  
 Fax: +49 5231 14-292083  
 www.weidmueller.com

## Accessories

### Flange plates made out of stainless steel - 6 mm



#### **Integrate, expand and customise: The ideal expansion for every application**

The consistent structure of accessories for the new Klippon® TB enclosure range means that you can easily adapt the enclosure to the specific requirements of each application.

#### **Flange plates**

Flange plates in two thicknesses, for easy replacement of pre-assembled flange plates on site.

### General ordering data

Type	KTB GP 221513 AB S4 6MM	Version
Order No.	<a href="#">1256270000</a>	Klippon TB (Terminal Box), flange plate, Height: 146 mm, Width: 100
GTIN (EAN)	4050118092592	mm, Depth: 6 mm, Gland plates: top, Bottom, electropolished, silver
Qty.	1 pc(s).	

### Plastic blanking plugs Ex e/i 7 Joule



For sealing surplus threaded holes to maintain the IP class of protection

### General ordering data

Type	VP M20 EX SI 7J	Version
Order No.	<a href="#">2066730000</a>	VPK EX 7J (Ex blanking plug, plastic, 7J), Blanking plug, M 20, 11
GTIN (EAN)	4050118415346	mm, IP54, IP66, IP67, IP68 - 5 bar (30 min.), Polyamide 6
Qty.	100 pc(s).	

**Klippon TB (Terminal Box)  
KTB MH 221513 Exia**

**Weidmüller Interface GmbH & Co. KG**  
Klingenbergstraße 26  
D-32758 Detmold  
Germany  
Fon: +49 5231 14-0  
Fax: +49 5231 14-292083  
www.weidmueller.com

**Accessories**

**Blanking plugs**



For sealing surplus threaded holes to maintain the IP class of protection

**General ordering data**

Type	VP M16 EX SI 7J	Version
Order No.	<a href="#">2066720000</a>	VPK EX 7J (Ex blanking plug, plastic, 7J), Blanking plug, M 16, 12
GTIN (EAN)	4050118415438	mm, IP54, IP66, IP67, IP68 - 5 bar (30 min.), Polyamide 6
Qty.	100 pc(s).	
Type	KSPMH M16 SSC	Version
Order No.	<a href="#">1477820000</a>	KSPMH (Klippon blanking plug, type MH), Blanking plug, M 16, 16
GTIN (EAN)	4050118285802	mm, Stainless steel 1.4404 (316L)
Qty.	20 pc(s).	

**Stainless steel blanking plugs Ex e/d - Klippon® KSPMH**



For sealing surplus threaded holes to maintain the IP class of protection

**General ordering data**

Type	KSPMH M20 SSC	Version
Order No.	<a href="#">1477840000</a>	KSPMH (Klippon blanking plug, type MH), Blanking plug, M 20, 16
GTIN (EAN)	4050118285482	mm, Stainless steel 1.4404 (316L)
Qty.	20 pc(s).	

**Klippon TB (Terminal Box)  
KTB MH 221513 Exia**

**Weidmüller Interface GmbH & Co. KG**  
Klingenbergstraße 26  
D-32758 Detmold  
Germany  
Fon: +49 5231 14-0  
Fax: +49 5231 14-292083  
www.weidmueller.com

**Accessories**

**Stainless steel 1.4301**



**Integrate, expand and customise:  
The ideal expansion for every application**

The consistent structure of accessories for the new Klippon® TB enclosure range means that you can easily adapt the enclosure to the specific requirements of each application.

**Rain Covers**

The rain cover provides an ideal, additional level of protection for the enclosure if it is installed in unusual climatic zones with, for instance, very heavy rainfall or extreme levels of direct sunlight.

**General ordering data**

Type	KTB RNHD 221513 R	Version	
Order No.	<a href="#">1281360000</a>	Klippon TB (Terminal Box), Rain hood, Height: 50.9 mm, Width: 157	
GTIN (EAN)	4050118072075	mm, Depth: 142.8 mm, Material: Stainless steel 1.4301, Mirror	
Qty.	1 pc(s).	polished, silver	

**without earthing studs**



**Integrate, expand and customise:  
The ideal expansion for every application**

The consistent structure of accessories for the new Klippon® TB enclosure range means that you can easily adapt the enclosure to the specific requirements of each application.

**Flange plates**

Flange plates in two thicknesses, for easy replacement of pre-assembled flange plates on site.

**General ordering data**

Type	KTB GP 221513 AB S4	Version	
Order No.	<a href="#">1280890000</a>	Klippon TB (Terminal Box), flange plate, Height: 146 mm, Width: 100	
GTIN (EAN)	4050118071627	mm, Depth: 3 mm, Gland plates: top, Bottom, Material: Stainless steel	
Qty.	1 pc(s).	1.4404, electropolished, silver	



**Klippon TB (Terminal Box)  
KTB MH 221513 Exia**

**Weidmüller Interface GmbH & Co. KG**  
Klingenbergstraße 26  
D-32758 Detmold  
Germany  
Fon: +49 5231 14-0  
Fax: +49 5231 14-292083  
www.weidmueller.com

**Accessories**
**Plastic nuts 9005**


Weidmüller has a variety of different cable and wire entry systems in the Portfolio: with different designs of plastic, brass and stainless steel cable glands in the IP66, 67, 68 or IP69k protection classes. As a complete alternative to cable glands, pre-assembled cables with modular multi-wire or multi-cable entry systems can be simply and quickly inserted into electrical equipment. Last but not least, Weidmüller offers EX-certified cable glands and cable/wire entry systems.

- Cable glands made from plastic and brass
- EMC screwed joints
- for areas at risk of explosion
- VDE, CSA and UL approvals

**General ordering data**

Type	SKMU M20 K SW	Version
Order No.	<a href="#">1736930000</a>	SKMU PA (plastic locknut), Locknut, M 20, 6 mm, Polyamid 6 (PA6 - GF30)
GTIN (EAN)	4008190956400	
Qty.	100 pc(s).	
Type	SKMU M16 K SW	Version
Order No.	<a href="#">1736920000</a>	SKMU PA (plastic locknut), Locknut, M 16, 5 mm, Polyamid 6 (PA6 - GF30)
GTIN (EAN)	4008190956394	
Qty.	100 pc(s).	

**Ratings plate holder**

**Integrate, expand and customise:  
The ideal expansion for every application**

The consistent structure of accessories for the new Klippon® TB enclosure range means that you can easily adapt the enclosure to the specific requirements of each application.

**Nameplate holders**

There are a variety of designed label holders available for prominent display as required and for additional nameplates as needed.

**General ordering data**

Type	TPSDHA KTB 70X70M3 S2 R	Version
Order No.	<a href="#">1279320000</a>	Klippon TB (Terminal Box), Ratings plate holder, Riveted, Height: 70 mm, Width: 70 mm, Depth: 20 mm, Material: Stainless steel 1.4301, Mirror polished, silver
GTIN (EAN)	4050118070101	
Qty.	1 pc(s).	

## Klippon TB MH (Terminal Box - Multi Hinge) KTB MH 221513 S4E1

**Weidmüller Interface GmbH & Co. KG**  
Klingenbergstraße 26  
D-32758 Detmold  
Germany  
Fon: +49 5231 14-0  
Fax: +49 5231 14-292083  
www.weidmueller.com

### Product image



Abbildung ähnlich

### Stainless steel enclosures for use in areas exposed to explosion hazards

The Klippon® TB enclosure range provides excellent performance characteristics, even under the most difficult environmental conditions. In addition, it complies with the stricter requirements of potentially explosive atmospheres found specifically in the process or power generation industries. The new Klippon® TB MH enclosure range offers further improvements to a product line that is already successfully leading the market..The Klippon® TB MH enclosure range has the following advantages:

- Available in 12 sizes and 3 standard depths
- Equipped with up to 4 gland plates
- The gasket is protected against compression
- Completely removable padlock tab
- Cover lock outside the sealed zone
- Improved temperature performance
- IP66/IP67 protection
- Completely removable lid – without a tool
- Earthing stud in the cover and base of the enclosure
- Welded mounting feet
- International approvals

### General ordering data

Type	KTB MH 221513 S4E1
Order No.	<a href="#">1194560000</a>
Version	Klippon TB MH (Terminal Box - Multi Hinge), Empty enclosure, stainless steel enclosure, Height: 229 mm, Width: 152 mm, Depth: 133 mm, Gland plates: Bottom, Material: Stainless steel 1.4404 (316L), electropolished, silver
GTIN (EAN)	4032248977185
Qty.	1 pc(s).

**Klippon TB MH (Terminal Box - Multi Hinge)  
 KTB MH 221513 S4E1**

**Weidmüller Interface GmbH & Co. KG**  
 Klingenbergstraße 26  
 D-32758 Detmold  
 Germany  
 Fon: +49 5231 14-0  
 Fax: +49 5231 14-292083  
 www.weidmueller.com

**Technical data**
**Dimensions and weights**

Width	152 mm	Width (inches)	5.984 inch
Height	229 mm	Height (inches)	9.016 inch
Depth	133 mm	Depth (inches)	5.236 inch
Mounting dimension - width	178 mm	Mounting dimension - height	152 mm
Net weight	3,060 g		

**Environmental Product Compliance**

REACH SVHC Lead 7439-92-1

**Cable glands, left**

M12	8	M16	6
M20	3	M25	2
M32	2	M40	2
M50	0	M63	0
M75	0		

**Cable glands, right**

M12	8	M16	6
M20	3	M25	2
M32	2	M40	2
M50	0	M63	0
M75	0		

**Cable glands, top/bottom**

M12	6	M16	5
M20	2	M25	2
M32	1	M40	1
M50	0	M63	0
M75	0		

**Certificate numbers enclosure**

Certificate no. assembled enclosure (ATEX)	IBExU14ATEX1050	Certificate no. empty enclosure (ATEX)	IBExU14ATEX1028 U
Certificate no. assembled enclosure (IECEX)	IECEXIBE14.0013	Certificate no. empty enclosure (IECEX)	IECEX IBE 14.0004U
Certificate no., assembled enclosure (EAC)	RU C-DE.ГБ08.B.01328	Certificate no., empty enclosure (EAC)	RU C-DE.ГБ08.B.00472
Certificate no. assembled enclosure (INMETRO)	IEEx 17.0021	Certificate no. empty enclosure (INMETRO)	IEEx 17.0020U
Certificate no. assembled enclosure (AEx)	E223792	Certificate no. empty enclosure (NEPSI)	GYJ14.1308U
Certificate no. assembled enclosure (NEPSI)	GYJ14.1309	Certificate no., assembled enclosure (KOSHA)	16-AV4BO-0245X
Certificate No. (MARITREG)	15.40073.250	Certificate no. (cULus)	E243298
Certificate No. (CCOE)	P461058_1		

## Klippon TB MH (Terminal Box - Multi Hinge) KTB MH 221513 S4E1

**Weidmüller Interface GmbH & Co. KG**  
Klingenbergstraße 26  
D-32758 Detmold  
Germany  
Fon: +49 5231 14-0  
Fax: +49 5231 14-292083  
www.weidmueller.com

### Technical data

#### General information

AF size 1	10 mm	Access opening: height	176 mm
Access opening: width		Areas of use	Explosive risk zone, Process industry, Oil and gas industry, Chemical industry, Offshore, Onshore
	93 mm	Installation advice	Terminal rail / mounting plate
Gland plates	Bottom	Material thickness of cover	1.5 mm
Material thickness	1.5 mm	Max. payload	14 kg
Material thickness of flange	3 mm	Overall dimensions	240 x 203 x 148
Opening angle lid	130 °	Standards	DIN EN 62208 - Empty enclosure standard, DIN EN 61373 Class 1B**, DIN EN 15085-2, EN 60079-0, EN 60079-7, EN 60079-31, IEC 60079-0, IEC 60079-7, IEC 60079-31
Position PE bolts		Material	Stainless steel 1.4404 (316L)
	Page C	Surface finish	electropolished
Torque for lid screws	2.5 Nm	Operating temperature, max.	135 °C
Seal material	Silicone	Protection degree	IP66, IP67
Operating temperature, min.	-60 °C	Enclosure attachment	4 welded-on mounting feet with 11 mm holes (2 slotted feet and 2 cross-shaped feet)
Impact resistance	7 J ATEX version, 10 J version standard	Integral fixing	4, 6 or 9 stud bolts M6 inner (female) thread
Note: protection class	If used in temperature ranges above 105 °C, IP protection is limited to IP 66.		
Lid attachment	4 hinges and M6 hex-head slotted screws SW10		

#### Housing earth

Earth, enclosure, internal	Welded-on M6 stainless-steel earth stud in enclosure body and lid.
----------------------------	--

#### horizontal assembly

WDU 10 / ZDU 10	1x4	WDU 16 / ZDU 16	1x3
WDU 2,5 / ZDU 2,5 / IDU 2,5	1x10	WDU 35 / ZDU 35	1x2
WDU 4 / ZDU 4	1x8	WDU 6 / ZDU 6	1x6

#### vertical assembly

WDU 10 / ZDU 10	1x13	WDU 16 / ZDU 16	1x10
WDU 2,5 / ZDU 2,5 / IDU 2,5	1x26	WDU 35 / ZDU 35	1x7
WDU 4 / ZDU 4	1x21	WDU 6 / ZDU 6	1x16

#### Classifications

ETIM 6.0	EC002503	ETIM 7.0	EC002503
eClass 9.0	27-18-05-02	eClass 9.1	27-18-05-02
eClass 10.0	27-18-05-02		

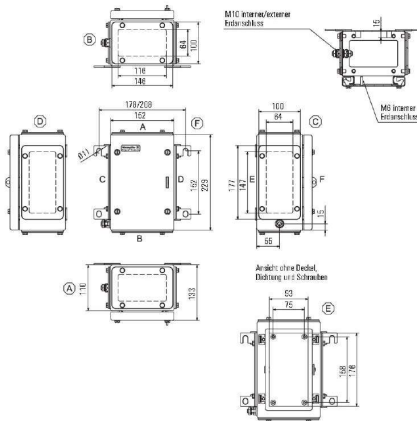


**Klippon TB MH (Terminal Box - Multi Hinge)  
KTB MH 221513 S4E1**

**Weidmüller Interface GmbH & Co. KG**  
Klingenbergstraße 26  
D-32758 Detmold  
Germany  
Fon: +49 5231 14-0  
Fax: +49 5231 14-292083  
www.weidmueller.com

**Drawings**

**Dimensioned drawing**



## Klippon TB MH (Terminal Box - Multi Hinge) KTB MH 221513 S4E1

**Weidmüller Interface GmbH & Co. KG**  
Klingenbergstraße 26  
D-32758 Detmold  
Germany  
Fon: +49 5231 14-0  
Fax: +49 5231 14-292083  
www.weidmueller.com

# Accessories

### 229 x 152mm



#### **Integrate, expand and customise:**

#### **The ideal expansion for every application**

The consistent structure of accessories for the new Klippon® TB enclosure range means that you can easily adapt the enclosure to the specific requirements of each application.

#### **Mounting plates**

Mounting plates, with and without hole patterns, for longitudinal and transverse mounting of DIN mounting rails or components directly onto the mounting plate.

#### **General ordering data**

Type	KTB MOPL 22 15 S2N H	Version
Order No.	<a href="#">1257650000</a>	Klippon TB (Terminal Box), Mounting plate, prepunched, Height: 174 mm, Width: 91 mm, Depth: 1.5 mm, Material: Stainless steel 1.4301 (304), untreated, silver
GTIN (EAN)	4050118049305	
Qty.	1 pc(s).	
Type	KTB MOPL 22 15 MSZN	Version
Order No.	<a href="#">1193930000</a>	Klippon TB (Terminal Box), Mounting plate, Height: 174 mm, Width: 91 mm, Depth: 12 mm, Material: Sheet steel, galvanized, silver
GTIN (EAN)	4050118028546	
Qty.	1 pc(s).	
Type	KTB MOPL 22 15 S2N	Version
Order No.	<a href="#">1193810000</a>	Klippon TB (Terminal Box), Mounting plate, Height: 174 mm, Width: 91 mm, Depth: 12 mm, Material: Stainless steel 1.4301 (304), untreated, silver
GTIN (EAN)	4050118028409	
Qty.	1 pc(s).	
Type	KTB MOPL 22 15 MSZN H	Version
Order No.	<a href="#">2022050000</a>	Klippon TB (Terminal Box), Mounting plate, prepunched, Height: 174 mm, Width: 91 mm, Depth: 1.5 mm, Material: Sheet steel, galvanized, silver
GTIN (EAN)	4050118403442	
Qty.	1 pc(s).	

### Earthing stud



#### **Integrate, expand and customise:**

#### **The ideal expansion for every application**

The consistent structure of accessories for the new Klippon® TB enclosure range means that you can easily adapt the enclosure to the specific requirements of each application.

#### **Earthing bolt**

Earthing bolts to exchange as a complete component, in two versions – brass and stainless steel.

#### **General ordering data**

Type	PEBZ M10 KTB S4 SET	Version
Order No.	<a href="#">1192690000</a>	Klippon TB (Terminal Box), Earthing stud, Miscellaneous, Material: Stainless steel 1.4404, untreated, silver
GTIN (EAN)	4032248974658	
Qty.	1 pc(s).	

## Klippon TB MH (Terminal Box - Multi Hinge) KTB MH 221513 S4E1

**Weidmüller Interface GmbH & Co. KG**  
Klingenbergstraße 26  
D-32758 Detmold  
Germany  
Fon: +49 5231 14-0  
Fax: +49 5231 14-292083  
www.weidmueller.com

## Accessories

Type	PEBZ M10 KTB BR SET	Version
Order No.	<a href="#">1192680000</a>	Klippon TB (Terminal Box), Earthing stud, Miscellaneous, Material:
GTIN (EAN)	4032248974641	Brass, untreated, silver
Qty.	1 pc(s).	

### with earthing studs



#### **Integrate, expand and customise: The ideal expansion for every application**

The consistent structure of accessories for the new Klippon® TB enclosure range means that you can easily adapt the enclosure to the specific requirements of each application.

#### **Flange plates**

Flange plates in two thicknesses, for easy replacement of pre-assembled flange plates on site.

### General ordering data

Type	KTB GP 221513 AB S4 PE	Version
Order No.	<a href="#">2022770000</a>	Klippon TB (Terminal Box), flange plate, Height: 146 mm, Width: 100
GTIN (EAN)	4050118403916	mm, Depth: 3 mm, Gland plates: top, Bottom, electropolished, silver
Qty.	1 pc(s).	

### Installation material



#### **Integrate, expand and customise - the perfect supplement to every application**

The fully structured range of system accessories for the new Klippon® TB enclosure series allows you to easily adapt the enclosures to meet the specific requirements of every application.

#### **Mounting hardware kits**

Mounting hardware kits are available for quick and easy installation of type label holders, document holders and rain hoods.

The **label fastening set – SD** is required to install a plastic (Trafolyte) ID or type label. With the aid of this set you can mount the ID or type label directly on the enclosure cover. The label fastening set has been specially developed for this purpose. Only by using this fastening set can you ensure that there will be no leaks into the enclosure or damage to the label.

The **universal fastening set – TPSD** has been developed to enable secure and quick installation of type label holders, rain covers or document holders, for example. By using this fastening set, the risk of leaks can be minimised, if not avoided.

### General ordering data

Type	SD FIXING SET	Version
Order No.	<a href="#">1285200000</a>	Klippon TB (Terminal Box), Identification plate fixing set, Material:
GTIN (EAN)	4050118075472	Stainless steel, rust-proof, untreated, silver
Qty.	1 pc(s).	

Creation date May 1, 2020 8:16:53 AM CEST



## Klippon TB MH (Terminal Box - Multi Hinge) KTB MH 221513 S4E1

**Weidmüller Interface GmbH & Co. KG**  
Klingenbergstraße 26  
D-32758 Detmold  
Germany  
Fon: +49 5231 14-0  
Fax: +49 5231 14-292083  
www.weidmueller.com

## Accessories

Type	TPSD FIXING SET KTB	Version
Order No.	<a href="#">1252190000</a>	Klippon TB (Terminal Box), Type plate fixings set, Material: Stainless
GTIN (EAN)	4050118043969	steel, rust-proof, untreated, silver
Qty.	1 pc(s).	

### Flange plates made out of stainless steel - 6 mm



#### **Integrate, expand and customise: The ideal expansion for every application**

The consistent structure of accessories for the new Klippon® TB enclosure range means that you can easily adapt the enclosure to the specific requirements of each application.

#### **Flange plates**

Flange plates in two thicknesses, for easy replacement of pre-assembled flange plates on site.

### General ordering data

Type	KTB GP 221513 AB S4 6MM	Version
Order No.	<a href="#">1256270000</a>	Klippon TB (Terminal Box), flange plate, Height: 146 mm, Width: 100
GTIN (EAN)	4050118092592	mm, Depth: 6 mm, Gland plates: top, Bottom, electropolished, silver
Qty.	1 pc(s).	

### Mounting plates fastening



For many years, the name Klippon® has stood for competence and quality in enclosures.

The Klippon® EBi industrial enclosure series protects your components reliably if they are used in moderate environmental conditions and is designed for everyday applications.

With the ever-increasing need for individual application solutions, the Klippon® EBi with its high degree of protection and impact resistance is ideally suited to your needs.

Our standard product is the Klippon® EBi QL – with hinged door and double-bit key lock.

A variant with mounting screws is also available, but is only manufactured on request and is subject to a minimum order quantity. DNV GL and cULus approvals are also available on request.

### General ordering data

Type	GFSC M5X10 TX20 SET	Version
Order No.	<a href="#">1274150000</a>	Klippon EBi (Essential Box industrial), Mounting screw, silver
GTIN (EAN)	4050118063820	
Qty.	1 pc(s).	

## Klippon TB MH (Terminal Box - Multi Hinge) KTB MH 221513 S4E1

**Weidmüller Interface GmbH & Co. KG**  
 Klingenbergstraße 26  
 D-32758 Detmold  
 Germany  
 Fon: +49 5231 14-0  
 Fax: +49 5231 14-292083  
 www.weidmueller.com

# Accessories

### Stainless steel 1.4301



#### **Integrate, expand and customise: The ideal expansion for every application**

The consistent structure of accessories for the new Klippon® TB enclosure range means that you can easily adapt the enclosure to the specific requirements of each application.

#### **Rain Covers**

The rain cover provides an ideal, additional level of protection for the enclosure if it is installed in unusual climatic zones with, for instance, very heavy rainfall or extreme levels of direct sunlight.

#### General ordering data

Type	KTB RNHD 221513 R	Version	
Order No.	<a href="#">1281360000</a>	Klippon TB (Terminal Box), Rain hood, Height: 50.9 mm, Width: 157	
GTIN (EAN)	4050118072075	mm, Depth: 142.8 mm, Material: Stainless steel 1.4301, Mirror	
Qty.	1 pc(s).	polished, silver	

### TS 35



#### **Integrate, expand and customise - the perfect supplement to every application**

The fully structured range of system accessories for the new Klippon® TB enclosure series allows you to easily adapt the enclosures to meet the specific requirements of every application.

The following options are available:

- Document holders
- Flange plates
- Mounting plates
- Locking systems
- Type label holders
- Rain hoods
- Earthing studs

#### General ordering data

Type	TS35X7.5 ST KTB2215 HOR	Version	
Order No.	<a href="#">800006720</a>	Rail, TS 35, TS 35 x 7.5, Length: 91 mm, without slot, Steel,	
GTIN (EAN)	4050118652888	galvanized, chromium-plated	
Qty.	20 pc(s).		
Type	TS35X7.5 ST KTB2215 VER	Version	
Order No.	<a href="#">800006708</a>	Rail, TS 35, TS 35 x 7.5, Length: 174 mm, without slot, Steel,	
GTIN (EAN)	4050118652819	galvanized, chromium-plated	
Qty.	20 pc(s).		

## Klippon TB MH (Terminal Box - Multi Hinge) KTB MH 221513 S4E1

**Weidmüller Interface GmbH & Co. KG**  
 Klingenbergstraße 26  
 D-32758 Detmold  
 Germany  
 Fon: +49 5231 14-0  
 Fax: +49 5231 14-292083  
 www.weidmueller.com

# Accessories

### without earthing studs



**Integrate, expand and customise:  
The ideal expansion for every application**

The consistent structure of accessories for the new Klippon® TB enclosure range means that you can easily adapt the enclosure to the specific requirements of each application.

**Flange plates**

Flange plates in two thicknesses, for easy replacement of pre-assembled flange plates on site.

### General ordering data

Type	KTB GP 221513 AB S4	Version
Order No.	<a href="#">1280890000</a>	Klippon TB (Terminal Box), flange plate, Height: 146 mm, Width: 100
GTIN (EAN)	4050118071627	mm, Depth: 3 mm, Gland plates: top, Bottom, Material: Stainless steel
Qty.	1 pc(s).	1.4404, electropolished, silver

### Ratings plate holder



**Integrate, expand and customise:  
The ideal expansion for every application**

The consistent structure of accessories for the new Klippon® TB enclosure range means that you can easily adapt the enclosure to the specific requirements of each application.

**Nameplate holders**

There are a variety of designed label holders available for prominent display as required and for additional nameplates as needed.

### General ordering data

Type	TPSDHA KTB 70X70M3 S2 R	Version
Order No.	<a href="#">1279320000</a>	Klippon TB (Terminal Box), Ratings plate holder, Riveted, Height: 70
GTIN (EAN)	4050118070101	mm, Width: 70 mm, Depth: 20 mm, Material: Stainless steel 1.4301,
Qty.	1 pc(s).	Mirror polished, silver

**Klippon TB MH (Terminal Box - Multi Hinge)  
KTB MH 221513 S4E1**

**Weidmüller Interface GmbH & Co. KG**  
Klingenbergstraße 26  
D-32758 Detmold  
Germany  
Fon: +49 5231 14-0  
Fax: +49 5231 14-292083  
www.weidmueller.com

**Accessories**

**Stainless steel 1.4404 (316L)**



**Integrate, expand and customise:**

**The ideal expansion for every application**

The consistent structure of accessories for the new Klippon® TB enclosure range means that you can easily adapt the enclosure to the specific requirements of each application.

**Rain Covers**

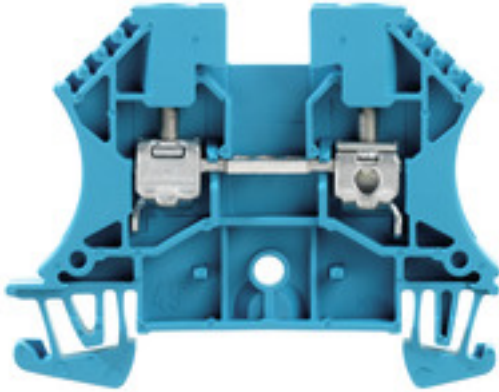
The rain cover provides an ideal, additional level of protection for the enclosure if it is installed in unusual climatic zones with, for instance, very heavy rainfall or extreme levels of direct sunlight.

**General ordering data**

Type	KTB RNHD 221513 S4E R	Version	
Order No.	<a href="#">1314090000</a>	Klippon TB (Terminal Box), Rain hood, Height: 50.9 mm, Width: 157	
GTIN (EAN)	4050118117332	mm, Depth: 142.8 mm, Material: Stainless steel 1.4404 (316L),	
Qty.	1 pc(s).	electropolished, silver	

**W-Series**  
**WDU 4 BL**

**Weidmüller Interface GmbH & Co. KG**  
Klingenbergstraße 26  
D-32758 Detmold  
Germany  
Fon: +49 5231 14-0  
Fax: +49 5231 14-292083  
www.weidmueller.com

**Product image****Klippon® Connect with clamping yoke Technology**

The high reliability and variety of designs of the terminal blocks with clamping yoke connections make planning easier and optimises operational safety. Klippon® Connect provides a proven response to a range of different requirements.

**General ordering data**

Type	WDU 4 BL
Order No.	<a href="#">1020180000</a>
Version	Feed-through terminal, Screw connection, 4 mm <sup>2</sup> , 800 V, 32 A, blue
GTIN (EAN)	4008 190185237
Qty.	100 pc(s).

**W-Series**  
**WDU 4 BL**

**Weidmüller Interface GmbH & Co. KG**  
 Klingenbergstraße 26  
 D-32758 Detmold  
 Germany  
 Fon: +49 5231 14-0  
 Fax: +49 5231 14-292083  
 www.weidmueller.com

**Technical data****Dimensions and weights**

Width	6.1 mm	Width (inches)	0.24 inch
Height	60 mm	Height (inches)	2.362 inch
Depth	46.5 mm	Depth (inches)	1.831 inch
Depth including DIN rail	47 mm	Weight	10.4 g
Net weight	9.42 g		

**Temperatures**

Operating temperature range	For operating temperature range see EC Design Test Certificate / IEC Ex-Certificate of Conformity	Storage temperature, max.	40 °C
Storage temperature, min.	10 °C	Storage temperature	10 °C...40 °C
Continuous operating temp., min.	-60 °C	Continuous operating temp., max.	130 °C

**Material data**

Material	Wemid	Colour	blue
UL 94 flammability rating	V-0		

**Rating data IECEx/ATEX**

Certificate No. (ATEX)	DEMKO14ATEX1338U	Certificate No. (IECEX)	IECEXULD14.0005U
Max. voltage (ATEX)	690 V	Current (ATEX)	32 A
Wire cross section max. (ATEX)	4 mm <sup>2</sup>	Max. voltage (IECEX)	690 V
Current (IECEX)	32 A	Wire cross section max. (IECEX)	4 mm <sup>2</sup>
Operating temperature range	For operating temperature range see EC Design Test Certificate / IEC Ex-Certificate of Conformity	Marking EN 60079-7	Ex eb II C Gb
Ex 2014/34/EU label	II 2 G D		

**System specifications**

Version	Screw connection, for plug-in cross-connector, for screwable cross-connection, One end without connector	End cover plate required	Yes
Number of potentials	1	Number of levels	1
Number of clamping points per level	2	Number of potentials per tier	1
Levels cross-connected internally	No	PE connection	No
Rail	TS 35	N-function	Yes
PE function	No	PEN function	No

**2 clampable conductors (H05V/H07V) with equal cross-section (rated connection)**

Wire connection cross section, finely stranded, two clampable wires, min.	0.5 mm <sup>2</sup>	Wire cross-section, finely stranded, two clampable wires, max.	1.5 mm <sup>2</sup>
Wire connection cross section, finely stranded with wire-end ferrules DIN 46228/1, 2 clampable wires, min.	0.5 mm <sup>2</sup>	Wire connection cross section, finely stranded with wire-end ferrules DIN 46228/1, 2 clampable wires, max.	1.5 mm <sup>2</sup>

**W-Series**  
**WDU 4 BL**

**Weidmüller Interface GmbH & Co. KG**  
 Klingenbergstraße 26  
 D-32758 Detmold  
 Germany  
 Fon: +49 5231 14-0  
 Fax: +49 5231 14-292083  
 www.weidmueller.com

**Technical data**
**Additional technical data**

Explosion-tested version	Yes	Number of similar terminals	1
Open sides	right	Type of mounting	Snap-on

**CSA rating data**

Certificate No. (CSA)	200039-1057876	Current size B (CSA)	35 A
Current size C (CSA)	35 A	Voltage size C (CSA)	600 V
Wire cross section max. (CSA)	10 AWG	Wire cross section min. (CSA)	26 AWG

**Conductors for clamping (rated connection)**

Blade size	0.6 x 3.5 mm	Clamping range, max.	6 mm <sup>2</sup>
Clamping range, min.	0.13 mm <sup>2</sup>	Clamping screw	M 3
Connection cross-section, stranded, max.	6 mm <sup>2</sup>	Connection cross-section, stranded, min.	1.5 mm <sup>2</sup>
Connection direction	on side	Gauge to IEC 60947-1	A4
Number of connections	2	Stripping length	10 mm
Tightening torque, max.	1 Nm	Tightening torque, min.	0.5 Nm
Torque level with DMS electric screwdriver	2	Twin wire-end ferrules, max.	2.5 mm <sup>2</sup>
Twin wire-end ferrules, min.	0.5 mm <sup>2</sup>	Type of connection	Screw connection
Wire connection cross section AWG, max.	AWG 10	Wire connection cross section AWG, min.	AWG 26
Wire connection cross section, finely stranded, max.	6 mm <sup>2</sup>	Wire connection cross-section, finely stranded with wire-end ferrules DIN 46228/1, max.	4 mm <sup>2</sup>
Wire connection cross-section, finely stranded with wire-end ferrules DIN 46228/1, min.	0.5 mm <sup>2</sup>	Wire connection cross-section, finely stranded with wire-end ferrules DIN 46228/4, max.	4 mm <sup>2</sup>
Wire connection cross-section, finely stranded with wire-end ferrules DIN 46228/4, min.	0.5 mm <sup>2</sup>	Wire connection cross-section, finely stranded, min.	0.5 mm <sup>2</sup>
Wire connection cross-section, solid core, max.	6 mm <sup>2</sup>	Wire connection cross-section, solid core, min.	0.5 mm <sup>2</sup>

**Rating data**

Rated cross-section	4 mm <sup>2</sup>	Rated voltage	800 V
Rated current	32 A	Current at maximum wires	41 A
Standards	IEC 60947-7-1	Volume resistance according to IEC 60947-7-x	1 mΩ
Power loss in accordance with IEC 60947-7-x	1.02 W	Rated impulse withstand voltage	8 kV
Pollution severity	3		

**UL rating data**

Certificate No. (UR)	E60693	Conductor size Factory wiring max. (UR)	10 AWG
Conductor size Factory wiring min. (UR)	26 AWG	Conductor size Field wiring max. (UR)	10 AWG
Conductor size Field wiring min. (UR)	22 AWG	Current size C (UR)	35 A
Voltage size C (UR)	600 V		

**Data sheet**

**W-Series  
WDU 4 BL**

**Weidmüller Interface GmbH & Co. KG**  
 Klingenbergstraße 26  
 D-32758 Detmold  
 Germany  
 Fon: +49 5231 14-0  
 Fax: +49 5231 14-292083  
 www.weidmueller.com

**Technical data**

**Classifications**

ETIM 6.0	EC000897	ETIM 7.0	EC000897
eClass 9.0	27-14-11-20	eClass 9.1	27-14-11-20
eClass 10.0	27-14-11-20	UNSPSC	30-21-18-11

**Approvals**

Approvals



ROHS Conform

**Downloads**

Approval/Certificate/Document of Conformity	<a href="#">Attestation of Conformity</a> <a href="#">IECEx Certificate</a> <a href="#">CB Testreport</a> <a href="#">CB Certificate</a> <a href="#">DE_PT1001_20160414_198_ISSUE01.pdf</a> <a href="#">ATEX Certificate</a>
Brochure/Catalogue	<a href="#">CAT 5 ENCL 17/18 EN</a> <a href="#">CAT 1 TERM 16/17 EN</a>
Engineering Data	<a href="#">EPLAN, WSCAD, Zuken E3.S</a>
Engineering Data	<a href="#">STEP</a>
User Documentation	<a href="#">NTI WDU/WPE 4</a> <a href="#">Usage of terminals in EXi atmospheres</a> <a href="#">StorageConditionsTerminalBlocks</a>

**Safety note**

Safety notice [Safety Information](#)



**Data sheet**

**W-Series**  
**WDU 4 BL**

**Weidmüller Interface GmbH & Co. KG**  
Klingenbergstraße 26  
D-32758 Detmold  
Germany  
Fon: +49 5231 14-0  
Fax: +49 5231 14-292083  
[www.weidmueller.com](http://www.weidmueller.com)

**Drawings**



**W-Series  
WDU 4 BL**

**Weidmüller Interface GmbH & Co. KG**  
 Klingenbergstraße 26  
 D-32758 Detmold  
 Germany  
 Fon: +49 5231 14-0  
 Fax: +49 5231 14-292083  
 www.weidmueller.com

**Accessories**

**ZGB pivotable group tag holder**



The ZGB 15 is a hinged group tag carrier. The tag carrier can hold the dekafix 5, WS 12/5 terminal markers or the inlay tag ESO 15.

The ZGB 30 is a hinged group tag carrier. The tag carrier can hold the dekafix 5, WS 12/5 terminal markers or the inlay tag ESO 7.

Inlay tags and protective strips can be found under "Accessories".

**General ordering data**

Type	ZGB 30	Version
Order No.	<a href="#">1611930000</a>	Terminal markers, Terminal marker, 32 x 7 mm, Pitch in mm (P): 5.00
GTIN (EAN)	4008190002251	white
Qty.	20 pc(s).	
Type	ZGB 15	Version
Order No.	<a href="#">1636530000</a>	Terminal markers, Terminal marker, 15 x 7 mm, Pitch in mm (P): 5.00
GTIN (EAN)	4008190297053	Weidmueller, white
Qty.	20 pc(s).	

**Partition plates**



**Klippon® Connect with clamping yoke Technology**

The high reliability and variety of designs of the terminal blocks with clamping yoke connections make planning easier and optimises operational safety. Klippon® Connect provides a proven response to a range of different requirements.

**General ordering data**

Type	WTW EN	Version
Order No.	<a href="#">1058800000</a>	W-Series, Separation plate
GTIN (EAN)	4008190140175	
Qty.	20 pc(s).	

## W-Series WDU 4 BL

**Weidmüller Interface GmbH & Co. KG**  
 Klingenbergstraße 26  
 D-32758 Detmold  
 Germany  
 Fon: +49 5231 14-0  
 Fax: +49 5231 14-292083  
 www.weidmueller.com

# Accessories

## End brackets



### Klippon® Connect with clamping yoke Technology

The high reliability and variety of designs of the terminal blocks with clamping yoke connections make planning easier and optimises operational safety. Klippon® Connect provides a proven response to a range of different requirements.

### General ordering data

Type	WEW 35/2	Version
Order No.	<a href="#">1061200000</a>	W-Series, End bracket
GTIN (EAN)	4008190030230	
Qty.	100 pc(s).	

## Blank



The WAD connector marker is suitable for W-series terminals and for the WEW 35/2 and ZEW 35/2 end brackets. The markers are available as blank markers, with custom printing or standard print with lightning symbol. The WAD MultiCard markers are suitable for labelling with PrintJet ADVANCED printers.

- High-quality and resistant printing with PrintJet
- WAD marker and cover for the W-series terminals and the WEW 35/2 or ZEW 35/2 end brackets
- Available as blank markers, with custom printing or standard print with lightning symbol
- Quick and easy installation

**For custom printing:** Please send us a file of our labeling software M-Print PRO or M-Print PRO Online (without installation) for your labeling specifications.

### General ordering data

Type	WAD 5 MC NE GE	Version
Order No.	<a href="#">1112920000</a>	Group markers, Cover, 33.3 x 5 mm, Pitch in mm (P): 5.00 yellow
GTIN (EAN)	4032248891771	
Qty.	48 pc(s).	

Type	WAD 5 MC NE WS	Version
Order No.	<a href="#">1112910000</a>	Group markers, Cover, 33.3 x 5 mm, Pitch in mm (P): 5.00 white
GTIN (EAN)	4032248891689	
Qty.	48 pc(s).	

**W-Series**  
**WDU 4 BL**

**Weidmüller Interface GmbH & Co. KG**  
 Klingenbergstraße 26  
 D-32758 Detmold  
 Germany  
 Fon: +49 5231 14-0  
 Fax: +49 5231 14-292083  
 www.weidmueller.com

**Accessories**
**ZQV 4N**

**Spring connection with PUSH IN Technology**

The innovative PUSH IN technology reduces the amount of time you spend on wiring to a minimum. Direct insertion guarantees high conductor pull-out forces and simple handling for all conductor types.

**General ordering data**

Type	ZQV 4N/8 BL
Order No.	<a href="#">1528190000</a>
GTIN (EAN)	4050118332858
Qty.	20 pc(s).
Type	ZQV 4N/9
Order No.	<a href="#">1528070000</a>
GTIN (EAN)	4050118332797
Qty.	20 pc(s).
Type	ZQV 4N/10
Order No.	<a href="#">1528090000</a>
GTIN (EAN)	4050118332896
Qty.	20 pc(s).
Type	ZQV 4N/50 BL
Order No.	<a href="#">1528240000</a>
GTIN (EAN)	4050118333121
Qty.	5 pc(s).
Type	ZQV 4N/7 RD
Order No.	<a href="#">2460770000</a>
GTIN (EAN)	4050118476194
Qty.	20 pc(s).
Type	ZQV 4N/3
Order No.	<a href="#">1527940000</a>
GTIN (EAN)	4050118332865
Qty.	60 pc(s).
Type	ZQV 4N/30 RD
Order No.	<a href="#">2561600000</a>
GTIN (EAN)	4050118569964
Qty.	5 pc(s).
Type	ZQV 4N/4
Order No.	<a href="#">1527970000</a>
GTIN (EAN)	4050118332889
Qty.	60 pc(s).
Type	ZQV 4N/5 BL
Order No.	<a href="#">1528140000</a>
GTIN (EAN)	4050118333015
Qty.	60 pc(s).
Type	ZQV 4N/2
Order No.	<a href="#">1527930000</a>
GTIN (EAN)	4050118332766
Qty.	60 pc(s).

Creation date May 1, 2020 8:16:53 AM CEST

**W-Series**  
**WDU 4 BL**

**Weidmüller Interface GmbH & Co. KG**  
 Klingenbergstraße 26  
 D-32758 Detmold  
 Germany  
 Fon: +49 5231 14-0  
 Fax: +49 5231 14-292083  
 www.weidmueller.com

**Accessories**

Type	ZQV 4N/10 BL
Order No.	<a href="#">1528230000</a>
GTIN (EAN)	4050118333138
Qty.	20 pc(s).
Type	ZQV 4N/8
Order No.	<a href="#">1528030000</a>
GTIN (EAN)	4050118332841
Qty.	20 pc(s).
Type	ZQV 4N/4 BL
Order No.	<a href="#">1528120000</a>
GTIN (EAN)	4050118332872
Qty.	60 pc(s).
Type	ZQV 4N/4 RD
Order No.	<a href="#">2460800000</a>
GTIN (EAN)	4050118476224
Qty.	60 pc(s).
Type	ZQV 4N/2 BL
Order No.	<a href="#">1528040000</a>
GTIN (EAN)	4050118332773
Qty.	60 pc(s).
Type	ZQV 4N/10 RD
Order No.	<a href="#">2460740000</a>
GTIN (EAN)	4050118476163
Qty.	20 pc(s).
Type	ZQV 4N/7 BL
Order No.	<a href="#">1528180000</a>
GTIN (EAN)	4050118333114
Qty.	20 pc(s).
Type	ZQV 4N/30 BL
Order No.	<a href="#">2561610000</a>
GTIN (EAN)	4050118569971
Qty.	5 pc(s).
Type	ZQV 4N/50 RD
Order No.	<a href="#">2460730000</a>
GTIN (EAN)	4050118476156
Qty.	5 pc(s).
Type	ZQV 4N/3 BL
Order No.	<a href="#">1528080000</a>
GTIN (EAN)	4050118333008
Qty.	60 pc(s).
Type	ZQV 4N/6
Order No.	<a href="#">1527990000</a>
GTIN (EAN)	4050118332919
Qty.	20 pc(s).
Type	ZQV 4N/5
Order No.	<a href="#">1527980000</a>
GTIN (EAN)	4050118332759
Qty.	60 pc(s).
Type	ZQV 4N/9 RD
Order No.	<a href="#">2460750000</a>
GTIN (EAN)	4050118476170
Qty.	20 pc(s).

Creation date May 1, 2020 8:16:53 AM CEST

## W-Series WDU 4 BL

**Weidmüller Interface GmbH & Co. KG**  
Klingenbergstraße 26  
D-32758 Detmold  
Germany  
Fon: +49 5231 14-0  
Fax: +49 5231 14-292083  
www.weidmueller.com

## Accessories

---

Type ZQV 4N/3 RD  
Order No. [2460810000](#)  
GTIN (EAN) 4050118476231  
Qty. 60 pc(s).

---

Type ZQV 4N/30  
Order No. [2561580000](#)  
GTIN (EAN) 4050118570113  
Qty. 5 pc(s).

---

Type ZQV 4N/9 BL  
Order No. [1528220000](#)  
GTIN (EAN) 4050118333107  
Qty. 20 pc(s).

---

Type ZQV 4N/50  
Order No. [1528130000](#)  
GTIN (EAN) 4050118332902  
Qty. 5 pc(s).

---

Type ZQV 4N/2 RD  
Order No. [2460450000](#)  
GTIN (EAN) 4050118476149  
Qty. 60 pc(s).

---

Type ZQV 4N/6 RD  
Order No. [2460780000](#)  
GTIN (EAN) 4050118476200  
Qty. 20 pc(s).

---

Type ZQV 4N/7  
Order No. [1528020000](#)  
GTIN (EAN) 4050118332780  
Qty. 20 pc(s).

---

Type ZQV 4N/8 RD  
Order No. [2460760000](#)  
GTIN (EAN) 4050118476187  
Qty. 20 pc(s).

---

Type ZQV 4N/5 RD  
Order No. [2460790000](#)  
GTIN (EAN) 4050118476217  
Qty. 60 pc(s).

---

Type ZQV 4N/6 BL  
Order No. [1528170000](#)  
GTIN (EAN) 4050118332926  
Qty. 20 pc(s).

---

**W-Series**  
**WDU 4 BL**

**Weidmüller Interface GmbH & Co. KG**  
 Klingenbergstraße 26  
 D-32758 Detmold  
 Germany  
 Fon: +49 5231 14-0  
 Fax: +49 5231 14-292083  
 www.weidmueller.com

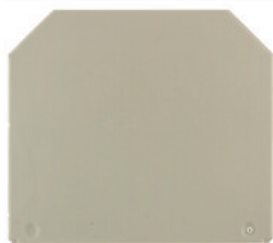
**Accessories**
**ZQV 4N**

**Spring connection with tension clamp Technology**

Tension clamp technology is a universal contact system for all common conductor connection types. Its fantastic level of flexibility makes the tension clamp a profitable alternative connection.

**General ordering data**

Type	ZQV 4N/20 GE	Version
Order No.	<a href="#">1909020000</a>	Accessories, Cross-connector, 32 A
GTIN (EAN)	4032248535644	
Qty.	20 pc(s).	
Type	ZQV 4N/4 GE	Version
Order No.	<a href="#">1762620000</a>	Accessories, Cross-connector, 32 A
GTIN (EAN)	4032248169771	
Qty.	60 pc(s).	
Type	ZQV 4N/3 GE	Version
Order No.	<a href="#">1762630000</a>	Accessories, Cross-connector, 32 A
GTIN (EAN)	4032248169788	
Qty.	60 pc(s).	
Type	ZQV 4N/2 GE	Version
Order No.	<a href="#">1758250000</a>	Accessories, Cross-connector, 32 A
GTIN (EAN)	4032248169795	
Qty.	60 pc(s).	
Type	ZQV 4N/10 GE	Version
Order No.	<a href="#">1758260000</a>	Accessories, Cross-connector, 32 A
GTIN (EAN)	4032248169764	
Qty.	20 pc(s).	

**End plates**

**Klippon® Connect with clamping yoke Technology**

The high reliability and variety of designs of the terminal blocks with clamping yoke connections make planning easier and optimises operational safety. Klippon® Connect provides a proven response to a range of different requirements.

**General ordering data**

Type	WAP 2.5-10	Version
Order No.	<a href="#">1050000000</a>	W-Series, End plate
GTIN (EAN)	4008190103149	
Qty.	50 pc(s).	

## Data sheet

### W-Series WDU 4 BL

**Weidmüller Interface GmbH & Co. KG**  
 Klingenbergstraße 26  
 D-32758 Detmold  
 Germany  
 Fon: +49 5231 14-0  
 Fax: +49 5231 14-292083  
 www.weidmueller.com

## Accessories

Type	WAP 2.5-10 BL	Version
Order No.	<a href="#">1050080000</a>	W-Series, End plate
GTIN (EAN)	4008190136611	
Qty.	50 pc(s).	
Type	WAP 16+35 WTW 2.5-10	Version
Order No.	<a href="#">1050100000</a>	W-Series, End plate, Separation plate
GTIN (EAN)	4008190079901	
Qty.	20 pc(s).	
Type	WAP 16+35 WTW 2.5-10 BL	Version
Order No.	<a href="#">1050180000</a>	W-Series, End plate, Separation plate
GTIN (EAN)	4008190013899	
Qty.	20 pc(s).	

## PicoPak



### PicoPak: the robust one

- Space-saving in the control cabinet thanks to the slim 6 mm width
- Passive isolator, loop-powered at the input and output
- Increased operating temperature range: -40°C ...+70°C
- Zero and Span adjustment possible

## General ordering data

Type	WS 12/6 MC NE WS	Version
Order No.	<a href="#">1609900000</a>	WS, Terminal marker, 12 x 6 mm, Pitch in mm (P): 6.00 Weidmueller,
GTIN (EAN)	4008190203467	Allen-Bradley, white
Qty.	600 pc(s).	

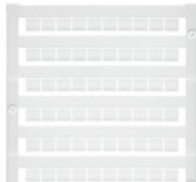


## W-Series WDU 4 BL

**Weidmüller Interface GmbH & Co. KG**  
 Klingenbergstraße 26  
 D-32758 Detmold  
 Germany  
 Fon: +49 5231 14-0  
 Fax: +49 5231 14-292083  
 www.weidmueller.com

# Accessories

## Blank



The Dekafix (DEK) marker is the universal marker for all conductor and plug-in connectors as well as for electronic sub-assemblies. The system is ideal for short number sequences and covers a wide range of ready-printed markers.

Strips for fast installation in only one work step. The printing is easy to read, rich in contrast and available in various widths.

- Large range of ready-to-use markers
- Strips for fast installation
- Terminal markers, suitable for all Weidmüller cable connectors
- Available as blank MultiCard or with standard printing

**For custom printing:** Please send us a file of our labeling software M-Print PRO or M-Print PRO Online (without installation) for your labeling specifications.

### General ordering data

Type	DEK 5/6 MC NE WS	Version
Order No.	<a href="#">1609820000</a>	Dekafix, Terminal marker, 5 x 6 mm, Pitch in mm (P): 6.00
GTIN (EAN)	4008190203436	Weidmueller, white
Qty.	1,000 pc(s).	

## Test adapter



### Klippon® Connect with clamping yoke Technology

The high reliability and variety of designs of the terminal blocks with clamping yoke connections make planning easier and optimises operational safety. Klippon® Connect provides a proven response to a range of different requirements.

### General ordering data

Type	WTA 3 WDU4	Version
Order No.	<a href="#">1632350000</a>	W-Series, Test adapter
GTIN (EAN)	4008190209711	
Qty.	25 pc(s).	
Type	WTA 3/ZA WDU4	Version
Order No.	<a href="#">1632360000</a>	W-Series, Test adapter
GTIN (EAN)	4008190209704	
Qty.	25 pc(s).	

**W-Series  
WDU 4 BL**

**Weidmüller Interface GmbH & Co. KG**  
 Klingenbergstraße 26  
 D-32758 Detmold  
 Germany  
 Fon: +49 5231 14-0  
 Fax: +49 5231 14-292083  
 www.weidmueller.com

**Accessories**

**Non-insulated sockets**



**Klippon® Connect with clamping yoke Technology**

The high reliability and variety of designs of the terminal blocks with clamping yoke connections make planning easier and optimises operational safety. Klippon® Connect provides a proven response to a range of different requirements.

**General ordering data**

Type	STB 8.5/5/2.3/M3 SAK2.5	Version
Order No.	<a href="#">028060000</a>	Accessories, Socket
GTIN (EAN)	4008190023188	
Qty.	50 pc(s).	

**DEK 5/6**



**WS/ DEK**

MultiMark DEK/WS connector markers use an innovative composite material made from two components. The hard base contour of the marker snaps securely into the connector. The elastic surface finish makes the marker easy to mount. This specially punched material enables the strips to be stretched to accommodate the slight variations in spacing that tend to add up, especially with long terminal blocks. Another advantage: the excellent printability of the surface material guarantees durable and wear-resistant labelling. A print resolution of 300 dpi also produces a very legible script.

**Your benefits with MultiMark**

- Firm hold and durable printing
- Continuous strips save installation time
- Easy mounting thanks to an innovative composite material
- Large label field for optimal legibility
- High flexibility thanks to manufacturer independence

**General ordering data**

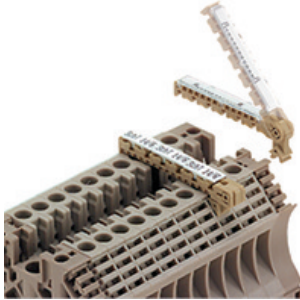
Type	DEK 5/6 MM WS	Version
Order No.	<a href="#">200712000</a>	Dekafix, Terminal marker, 5 x 6 mm, Weidmueller, white
GTIN (EAN)	4050118392104	
Qty.	600 pc(s).	

**W-Series  
WDU 4 BL**

**Weidmüller Interface GmbH & Co. KG**  
 Klingenbergstraße 26  
 D-32758 Detmold  
 Germany  
 Fon: +49 5231 14-0  
 Fax: +49 5231 14-292083  
 www.weidmueller.com

**Accessories**

**SchT group marker carrier**



The SchT 5 S group tag carriers are clipped directly onto the TS 32 mounting rail (G-rail) or the TS 35 mounting rail (top-hat rail). It is therefore possible to label the terminal strip irrespective of the terminal and the type of terminal. SchT 5 and SchT 5 S are fitted with ESO 5, STR 5 protective strips.

The SchT 7 is a hinged group tag carrier for inlay tags which enables easy access to the clamping screw. The SchT 7 is fitted with ESO 7, STR 7 protective strips or DEK 5.

SchT 9/4 and SchT 14/6 are hinged group tag carriers for single dekafix and WS tags that enable easy access to the clamping screw.

SchT 9/4 and SchT 14/6 are fitted with WS or DEK. Inlay tags and protective strips can be found under "Accessories".

**General ordering data**

Type	SCHT 7	Version
Order No.	<a href="#">0517960000</a>	SCHT, Terminal marker, 39.3 x 8 mm, Pitch in mm (P): 7.00
GTIN (EAN)	4008190001742	Weidmueller, white
Qty.	20 pc(s).	

**Shielding bus**



**Klippon® Connect with clamping yoke Technology**  
 The high reliability and variety of designs of the terminal blocks with clamping yoke connections make planning easier and optimises operational safety. Klippon® Connect provides a proven response to a range of different requirements.

**General ordering data**

Type	LS 2.8 WDU2.5-10	Version
Order No.	<a href="#">1056400000</a>	W-Series, Shield bus
GTIN (EAN)	4008190036454	
Qty.	100 pc(s).	

**W-Series**  
**WDU 4 BL**

**Weidmüller Interface GmbH & Co. KG**  
 Klingenbergstraße 26  
 D-32758 Detmold  
 Germany  
 Fon: +49 5231 14-0  
 Fax: +49 5231 14-292083  
 www.weidmueller.com

**Accessories**
**WQV 4**

**Klippon® Connect with clamping yoke Technology**

The high reliability and variety of designs of the terminal blocks with clamping yoke connections make planning easier and optimises operational safety. Klippon® Connect provides a proven response to a range of different requirements.

**General ordering data**

Type	WQV 4/2	Version
Order No.	<a href="#">1051960000</a>	W-Series, Cross-connector, For the terminals, Number of poles: 2
GTIN (EAN)	4008190026486	
Qty.	50 pc(s).	
Type	WQV 4/4	Version
Order No.	<a href="#">1054660000</a>	W-Series, Cross-connector, For the terminals, Number of poles: 4
GTIN (EAN)	4008190095758	
Qty.	50 pc(s).	
Type	WQV 4/3	Version
Order No.	<a href="#">1054560000</a>	W-Series, Cross-connector, For the terminals, Number of poles: 3
GTIN (EAN)	4008190168971	
Qty.	50 pc(s).	
Type	WQV 4/10	Version
Order No.	<a href="#">1052060000</a>	W-Series, Cross-connector, For the terminals, Number of poles: 10
GTIN (EAN)	4008190054687	
Qty.	20 pc(s).	

**Test sockets**

**Current and voltage transformer wiring**

Our test disconnect terminal blocks featuring spring and screw connection technology allow you to create all the important converter circuits for measuring current, voltage and power in a safe and sophisticated way.

**General ordering data**

Type	STB 21.6/IH/BL WTL6/3	Version
Order No.	<a href="#">1071080000</a>	Accessories, Socket
GTIN (EAN)	4008190043957	
Qty.	50 pc(s).	
Type	STB 21.6/IH/GN WTL6/3	Version
Order No.	<a href="#">1071020000</a>	Accessories, Socket
GTIN (EAN)	4008190259228	
Qty.	50 pc(s).	

## W-Series WDU 4 BL

**Weidmüller Interface GmbH & Co. KG**  
 Klingenbergstraße 26  
 D-32758 Detmold  
 Germany  
 Fon: +49 5231 14-0  
 Fax: +49 5231 14-292083  
 www.weidmueller.com

## Accessories

Type	STB 21.6/IH/GE WTL6/3	Version
Order No.	<a href="#">1071010000</a>	Accessories, Socket
GTIN (EAN)	4008190259211	
Qty.	50 pc(s).	
Type	STB 21.6/IH/WS WTL6/3	Version
Order No.	<a href="#">1312520000</a>	Accessories, Socket
GTIN (EAN)	4050118121704	
Qty.	50 pc(s).	
Type	STB 21.6/IH/RT WTL6/3	Version
Order No.	<a href="#">1778990000</a>	Accessories, Socket
GTIN (EAN)	4032248169665	
Qty.	50 pc(s).	
Type	STB 21.6/IH/DB WTL6/3	Version
Order No.	<a href="#">1071000000</a>	Accessories, Socket
GTIN (EAN)	4008190259204	
Qty.	50 pc(s).	
Type	STB 21.6/IH/VI WTL6/3	Version
Order No.	<a href="#">1071030000</a>	Accessories, Socket
GTIN (EAN)	4008190259235	
Qty.	50 pc(s).	
Type	STB 21.6/IH/SW WTL6/3	Version
Order No.	<a href="#">1071040000</a>	Accessories, Socket
GTIN (EAN)	4008190859985	
Qty.	50 pc(s).	

**Klippon BDX (compensating elements)  
KLIPPON BDX M20 S**

**Weidmüller Interface GmbH & Co. KG**  
Klingenbergstraße 26  
D-32758 Detmold  
Germany  
Fon: +49 5231 14-0  
Fax: +49 5231 14-292083  
www.weidmueller.com



Pressure-compensation elements ensure good ventilation of the enclosure and prevent the build-up of condensation while maintaining the appropriate IP class of protection.

**General ordering data**

Type	KLIPPON BDX M20 S
Order No.	<a href="#">2519550000</a>
Version	Klippon BDX (compensating elements), Compensating element, M 20, 10 mm, IP66, Stainless steel 1.4404 (316L)
GTIN (EAN)	4050118532043
Qty.	1 pc(s).

Creation date May 1, 2020 8:16:53 AM CEST

## Klippon BDX (compensating elements) KLIPPON BDX M20 S

**Weidmüller Interface GmbH & Co. KG**  
Klingenbergstraße 26  
D-32758 Detmold  
Germany  
Fon: +49 5231 14-0  
Fax: +49 5231 14-292083  
www.weidmueller.com

### Technical data

#### Dimensions and weights

Length	22 mm	Length (inches)	0.866 inch
Width	27 mm	Width (inches)	1.063 inch
Net weight	60 g		

#### General information

Material	Stainless steel 1.4404 (316L)	External thread	M 20
Pitch of thread	1.5 mm	Length of thread	10 mm
AF size 1	27 mm	Impact resistance	7 J ATEX version
Protection degree	IP66	Protection degree with GWDR	IP66
Operating temperature range, min.	-60 °C	Operating temperature range, max.	200 °C
Head diameter	26.2 mm	Air flow	0.25 l / 1 h
Filter	Bronze insert (90% copper, 10% tin)	O-Ring	Silicone
Sealing	Silicone	Tightening torque	10 Nm
Torque for connecting adapter, min.	10 Nm	Torque for connecting adapter, max.	10 Nm
Torque for lock nut, min.	10 Nm	Torque for lock nut, max.	10 Nm
Standards	IEC 60079-0, IEC 60079-7, IEC 60079-31	Note: protection class	- The venting element should be fitted on the bottom side of the enclosure, aligned vertically with the thread upwards, and at the lowest point to permit proper drainage. - The supplied assembly instructions must be read prior to installation and strictly adhered to. - The water flow rate was tested using a water-filled, empty enclosure (no pressure or heat-producing internal components). The water flow rate may vary due to operational parameters and environmental conditions.

#### Classifications

ETIM 6.0	EC000814	ETIM 7.0	EC000814
eClass 9.0	27-14-44-25	eClass 9.1	27-14-44-90
eClass 10.0	27-14-44-25		

#### Approvals

Approvals



ROHS

Conform

#### Downloads

Engineering Data [EPLAN](#)  
Engineering Data [STEP](#)

Creation date May 1, 2020 8:16:53 AM CEST