

## Klippon STB (Small Terminal Box) STB 2 Exe

**Weidmüller Interface GmbH & Co. KG**  
Klingenbergstraße 26  
D-32758 Detmold  
Germany  
Fon: +49 5231 14-0  
Fax: +49 5231 14-292083  
www.weidmueller.com



The Klippon® brand has long stood for competence and quality in housings, particularly when customer solutions for standard industrial applications and applications in explosive risk zones are concerned.

Weidmüller meets these requirements with its range of steel sheet enclosures in the new Klippon® TB series, available in Multi-Hinge (MH) and Quarter-Lock (QL) versions, the Klippon® STB series and the aluminium enclosures of the Klippon® K series.

The portfolio is rounded off with the polyester enclosures of the Klippon® POK series and the polycarbonate enclosures.

Irrespective of which application users are planning, Weidmüller offers numerous precisely fitting housing solutions and individual services: turnkey enclosures with customer-specific configurations such as terminal rails, drilled holes, cable glands, cutouts, special coatings and much more besides.

### General ordering data

Type	STB 2 Exe
Order No.	<a href="#">8000028395</a>
Version	Klippon STB (Small Terminal Box), Terminal Box, stainless steel enclosure, Height: 150 mm, Width: 150 mm, Depth: 90 mm, Material: Stainless steel 1.4404 (316L), Mirror polished, silver
GTIN (EAN)	4050118556919
Qty.	1 pc(s).
Reference product	<a href="#">1002740000</a> <a href="#">1020100000</a> <a href="#">2519550000</a>

## Klippon STB (Small Terminal Box) STB 2 Exe

**Weidmüller Interface GmbH & Co. KG**  
Klingenbergstraße 26  
D-32758 Detmold  
Germany  
Fon: +49 5231 14-0  
Fax: +49 5231 14-292083  
www.weidmueller.com

## Technical data

### Dimensions and weights

Width	150 mm	Width (inches)	5.905 inch
Height	150 mm	Height (inches)	5.905 inch
Depth	90 mm	Depth (inches)	3.543 inch
Mounting dimension - width	175 mm	Mounting dimension - height	75 mm
Wall thickness, max.	1.5 mm	Wall thickness, min.	1.5 mm
Net weight	2,053.864 g	Diameter	8 mm

### Certificate numbers enclosure

Certificate no. assembled enclosure (ATEX)	IBExU 07ATEX1148	Certificate no. assembled enclosure (IECEX)	IECEX IBE09.0019
Identification	Ex eb IIC T6 Gb		

### vertical assembly

WDU 4 / ZDU 4	1x14
---------------	------

### Housing

Drill holes side A	4 x M20	Drill holes side B	4 x M20, 1 x BDX
Drill holes side C	none	Drill holes side D	none
Material	Stainless steel 1.4404 (316L)	Material type plate	Polyester coated with aluminium

### Classifications

ETIM 6.0	EC002848	ETIM 7.0	EC002848
eClass 9.0	27-14-11-92	eClass 9.1	27-14-11-92
eClass 10.0	27-14-11-92		

### Approvals

Approvals	CE; ATEX; IECEX
-----------	-----------------

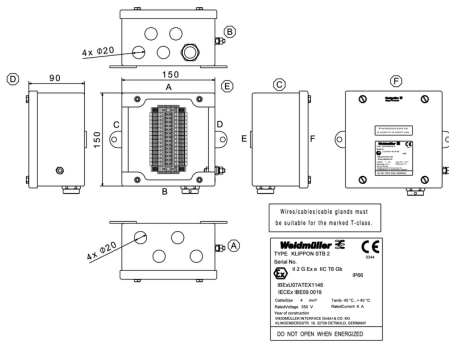
### Downloads

Brochure/Catalogue	<a href="#">CAT 5 ENCL 17/18 EN</a>
--------------------	-------------------------------------

**Klippon STB (Small Terminal Box)  
STB 2 Exe**

**Weidmüller Interface GmbH & Co. KG**  
 Klingenbergstraße 26  
 D-32758 Detmold  
 Germany  
 Fon: +49 5231 14-0  
 Fax: +49 5231 14-292083  
 www.weidmueller.com

**Drawings**



**Klippon STB (Small Terminal Box)  
STB 2 Exe**

**Weidmüller Interface GmbH & Co. KG**  
Klingenbergstraße 26  
D-32758 Detmold  
Germany  
Fon: +49 5231 14-0  
Fax: +49 5231 14-292083  
www.weidmueller.com

**Accessories**
**Brass cable glands Ex e**


Brass cable glands which are suitable for usage in explosion risk zone Ex e (Increased safety). They have been tested to the latest norms and standards EN 60079-0:2009, and also achieved the necessary ATEX certificate.

**General ordering data**

Type	VG M20 EXE MS	Version
Order No.	<a href="#">1460050000</a>	VG Ex MS (Ex brass cable gland), Cable glands, M 20, 16 mm, OD
GTIN (EAN)	4050118266085	min. 3 - OD max. 12 mm, IP66, IP68, Brass, nickel-plated
Qty.	50 pc(s).	

**Brass nuts, standard, nickel-plated**


Weidmüller has a variety of different cable and wire entry systems in the Portfolio: with different designs of plastic, brass and stainless steel cable glands in the IP66, 67, 68 or IP69k protection classes. As a complete alternative to cable glands, pre-assembled cables with modular multi-wire or multi-cable entry systems can be simply and quickly inserted into electrical equipment. Last but not least, Weidmüller offers EX-certified cable glands and cable/wire entry systems.

- Cable glands made from plastic and brass
- EMC screwed joints
- for areas at risk of explosion
- VDE, CSA and UL approvals

**General ordering data**

Type	SKMU M20 MS	Version
Order No.	<a href="#">1737000000</a>	SKMU MS (brass locknut), Locknut, M 20, 3 mm, Brass, nickel-plated
GTIN (EAN)	4008190956479	
Qty.	100 pc(s).	

**Klippon STB (Small Terminal Box)  
STB 2 Exe**

**Weidmüller Interface GmbH & Co. KG**  
Klingenbergstraße 26  
D-32758 Detmold  
Germany  
Fon: +49 5231 14-0  
Fax: +49 5231 14-292083  
www.weidmueller.com

**Accessories**

**Plastic blanking plugs Ex e/i 7 Joule**



For sealing surplus threaded holes to maintain the IP class of protection

**General ordering data**

Type	VP M20 EX SI 7J	Version
Order No.	<a href="#">2066730000</a>	VPK EX 7J (Ex blanking plug, plastic, 7J), Blanking plug, M 20, 11
GTIN (EAN)	4050118415346	mm, IP54, IP66, IP67, IP68 - 5 bar (30 min.), Polyamide 6
Qty.	100 pc(s).	

**Stainless steel blanking plugs Ex e/d - Klippon® KSPMH**



For sealing surplus threaded holes to maintain the IP class of protection

**General ordering data**

Type	KSPMH M20 SSC	Version
Order No.	<a href="#">1477840000</a>	KSPMH (Klippon blanking plug, type MH), Blanking plug, M 20, 16
GTIN (EAN)	4050118285482	mm, Stainless steel 1.4404 (316L)
Qty.	20 pc(s).	

**Klippon STB (Small Terminal Box)  
STB 2 Exe**

**Weidmüller Interface GmbH & Co. KG**  
Klingenbergstraße 26  
D-32758 Detmold  
Germany  
Fon: +49 5231 14-0  
Fax: +49 5231 14-292083  
www.weidmueller.com

**Accessories**
**Plastic nuts 9005**


Weidmüller has a variety of different cable and wire entry systems in the Portfolio: with different designs of plastic, brass and stainless steel cable glands in the IP66, 67, 68 or IP69k protection classes. As a complete alternative to cable glands, pre-assembled cables with modular multi-wire or multi-cable entry systems can be simply and quickly inserted into electrical equipment. Last but not least, Weidmüller offers EX-certified cable glands and cable/wire entry systems.

- Cable glands made from plastic and brass
- EMC screwed joints
- for areas at risk of explosion
- VDE, CSA and UL approvals

**General ordering data**

Type	SKMU M20 K SW	Version
Order No.	<a href="#">1736930000</a>	SKMU PA (plastic locknut), Locknut, M 20, 6 mm, Polyamid 6 (PA6 -
GTIN (EAN)	4008190956400	GF30)
Qty.	100 pc(s).	

## Klippon STB (Small Terminal Box) KLIPPON STB 2 SS

**Weidmüller Interface GmbH & Co. KG**  
Klingenbergstraße 26  
D-32758 Detmold  
Germany  
Fon: +49 5231 14-0  
Fax: +49 5231 14-292083  
www.weidmueller.com

### Product image



Ideally suited for the energy, process and transportation industries, the Klippon® STB enclosure series is the perfect complement to our existing Klippon enclosure portfolio. Enclosures in this series are approved according to international standards such as e.g. EN62208 and EN60079-0/7 (ATEX).

- Mirror-polished or electropolished stainless steel 1.4404 (316L), 1.5 mm
- High-temperature-resistant seal as standard - extended temperature range of -60°C to +100°C for Ex application (+120°C only for industrial application)
- Approved according to ATEX, IECEx, cULus, Lloyds Register, Germanischer Lloyd, GL DNV and INMETRO
- Flexible options for fastening the internal mounting rail
- IP66 protection
- Secure, permanent function of the seal is ensured by seal compression protection
- Earthing stud in the cover and base of the enclosure
- Laser cut weld seams for increased quality
- Already welded-on mounting feet guarantee optimum enclosure installation

Weidmüller can manufacture and supply this enclosure - according to customer specifications - fitted with all necessary terminals and cable glands.

### General ordering data

Type	KLIPPON STB 2 SS
Order No.	<a href="#">1002740000</a>
Version	Klippon STB (Small Terminal Box), Empty enclosure, stainless steel enclosure, Height: 150 mm, Width: 150 mm, Depth: 90 mm, Material: Stainless steel 1.4404 (316L), Mirror polished, silver
GTIN (EAN)	4032248695676
Qty.	1 pc(s).

**Klippon STB (Small Terminal Box)**  
**KLIPPON STB 2 SS**

**Weidmüller Interface GmbH & Co. KG**  
 Klingenbergstraße 26  
 D-32758 Detmold  
 Germany  
 Fon: +49 5231 14-0  
 Fax: +49 5231 14-292083  
 www.weidmueller.com

**Technical data**
**Dimensions and weights**

Width	150 mm	Width (inches)	5.905 inch
Height	150 mm	Height (inches)	5.905 inch
Depth	90 mm	Depth (inches)	3.543 inch
Mounting dimension - width	175 mm	Weight	1.63 kg
Net weight	1,708 g		

**Cable glands, left**

M12	15	M16	10
M20	8	M25	3
M32	3	M40	2
M50	1		

**Cable glands, right**

M12	15	M16	8
M20	6	M25	2
M32	2	M40	2
M50	1		

**Cable glands, top/bottom**

M12	15	M16	10
M20	8	M25	3
M32	3	M40	2
M50	1		

**Certificate numbers enclosure**

Certificate no. assembled enclosure (ATEX)	IBExU07ATEX1148	Certificate no. empty enclosure (ATEX)	IBExU 07ATEX1147U
Certificate no. assembled enclosure (IECEX)	IECEX IBE 09.0019	Certificate no. empty enclosure (IECEX)	IECEX IBE 09.0018U
Certificate no., assembled enclosure (EAC)	RU C-DE.ГБ08.B.01328	Certificate no., empty enclosure (EAC)	RU C-DE.ГБ08.B.00472
Certificate no. assembled enclosure (INMETRO)	IEEx 13.0003	Certificate no. empty enclosure (INMETRO)	IEEx 13.0002U
Certificate no. assembled enclosure (AEx)	E223792	Certificate no., assembled enclosure (KOSHA)	16-AV4BO-0247X
Certificate No. (GERMLLOYD)	59358-08	Certificate No. (MARITREG)	15.40041.250
Certificate no. (cULus)	E256877		



**Klippon STB (Small Terminal Box)  
KLIPPON STB 2 SS**

**Weidmüller Interface GmbH & Co. KG**  
Klingenbergstraße 26  
D-32758 Detmold  
Germany  
Fon: +49 5231 14-0  
Fax: +49 5231 14-292083  
www.weidmueller.com

**Technical data**
**General information**

Areas of use	Explosive risk zone, Packaging industry, Transportation, Process industry, Marine engineering	Material thickness	1.5 mm
Material thickness of enclosure	1.5 mm	Torque for lid screws	2.5 Nm
Material	Stainless steel 1.4404 (316L)	Seal material	Silicone
Surface finish	Mirror polished	Operating temperature, min.	-60 °C
Operating temperature, max.	100 °C	Impact resistance	10 J version standard, 7 J ATEX version
Protection degree	IP66	Enclosure attachment	Welded-on mounting foot with 8-mm holes
Lid attachment	M5 hexagonal screw with slot and 10mm distance across flats	Integral fixing	TAS 20 rail welded to floor

**vertical assembly**

WDU 10 / ZDU 10	1x11	WDU 16 / ZDU 16	1x9
WDU 2,5 / ZDU 2,5 / IDU 2,5	1x23	WDU 4 / ZDU 4	1x19
WDU 6 / ZDU 6	1x14		

**Classifications**

ETIM 6.0	EC002503	ETIM 7.0	EC002503
eClass 9.0	27-18-05-02	eClass 9.1	27-18-05-02
eClass 10.0	27-18-05-02		

**Product information**

Product information the ambient temperature for the assembly will be reduced to +60°C and the surface temperature to +100°C.

**Approvals**

Approvals



ROHS Conform

**Klippon STB (Small Terminal Box)  
KLIPPON STB 2 SS**

**Weidmüller Interface GmbH & Co. KG**  
Klingenbergstraße 26  
D-32758 Detmold  
Germany  
Fon: +49 5231 14-0  
Fax: +49 5231 14-292083  
www.weidmueller.com

**Technical data****Downloads**

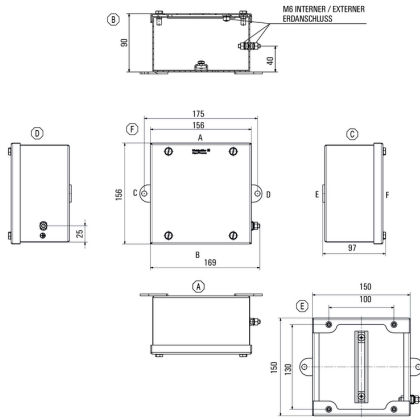
Approval/Certificate/Document of Conformity	<a href="#">Attestation of Conformity - Klippon STB Empty Enclosures - AoC DE PS2620 160308 001ISS01</a> <a href="#">EU Declaration of Conformity - Klippon STB Empty Enclosures Ex - DoC DE PS2620 160412 001ISS01</a>
Brochure/Catalogue	<a href="#">MB OVERV. PROCESS WD DE</a> <a href="#">MB KLIPPON ENCL.TECN EN</a> <a href="#">MB PROCESS EN</a> <a href="#">CAT 5 ENCL 17/18 EN</a> <a href="#">FL KLIPPON STB EN</a> <a href="#">FL SHIPBUILDING 2016 EN</a>
Engineering Data	<a href="#">EPLAN, WSCAD</a>
Engineering Data	<a href="#">STEP</a>
Tender specification	<a href="#">Klippon STB 2 SS_1002740000_DE</a> <a href="#">Klippon STB 2 SS_1002740000_EN</a>
User Documentation	<a href="#">MB KLIPPON ENCL.TECN DE</a> <a href="#">Assembly guidelines - empty enclosures</a>

**Klippon STB (Small Terminal Box)  
KLIPPON STB 2 SS**

**Weidmüller Interface GmbH & Co. KG**  
 Klingenbergstraße 26  
 D-32758 Detmold  
 Germany  
 Fon: +49 5231 14-0  
 Fax: +49 5231 14-292083  
 www.weidmueller.com

**Drawings**

**Dimensioned drawing**



**Klippon STB (Small Terminal Box)  
KLIPPON STB 2 SS**

**Weidmüller Interface GmbH & Co. KG**  
Klingenbergstraße 26  
D-32758 Detmold  
Germany  
Fon: +49 5231 14-0  
Fax: +49 5231 14-292083  
www.weidmueller.com

**Accessories**
**Installation material**

**Integrate, expand and customise - the perfect supplement to every application**

The fully structured range of system accessories for the new Klippon® TB enclosure series allows you to easily adapt the enclosures to meet the specific requirements of every application.

**Mounting hardware kits**

Mounting hardware kits are available for quick and easy installation of type label holders, document holders and rain hoods.

The **label fastening set – SD** is required to install a plastic (Trafolyte) ID or type label. With the aid of this set you can mount the ID or type label directly on the enclosure cover. The label fastening set has been specially developed for this purpose. Only by using this fastening set can you ensure that there will be no leaks into the enclosure or damage to the label.

The **universal fastening set – TPSD** has been developed to enable secure and quick installation of type label holders, rain covers or document holders, for example. By using this fastening set, the risk of leaks can be minimised, if not avoided.

**General ordering data**

Type	SD FIXING SET	Version
Order No.	<a href="#">1285200000</a>	Klippon TB (Terminal Box), Identification plate fixing set, Material:
GTIN (EAN)	4050118075472	Stainless steel, rust-proof, untreated, silver
Qty.	1 pc(s).	
Type	TPSD FIXING SET KTB	Version
Order No.	<a href="#">1252190000</a>	Klippon TB (Terminal Box), Type plate fixings set, Material: Stainless
GTIN (EAN)	4050118043969	steel, rust-proof, untreated, silver
Qty.	1 pc(s).	

**Klippon STB (Small Terminal Box)  
KLIPPON STB 2 SS**

**Weidmüller Interface GmbH & Co. KG**  
 Klingenbergstraße 26  
 D-32758 Detmold  
 Germany  
 Fon: +49 5231 14-0  
 Fax: +49 5231 14-292083  
 www.weidmueller.com

**Accessories**
**Accessories**


Ideally suited for the energy, process and transportation industries, the Klippon® STB enclosure series is the perfect complement to our existing Klippon enclosure portfolio. Enclosures in this series are approved according to international standards such as e.g. EN62208 and EN60079-0/7 (ATEX).

Features: .

- High-temperature-resistant seal as standard - increased temperature range of -50°C to +100°C (+120°C on request)
- Approved according to ATEX, IECEx, cULus, Lloyds Register, Germanischer Lloyd, GOST
- Flexible options for fastening the internal mounting rail
- IP66 protection
- Secure, permanent function of the seal is ensured by seal compression protection
- Earthing stud in the cover and base of the enclosure
- Laser cut weld seams for increased quality
- Already welded-on mounting feet guarantee optimum enclosure installation

Weidmüller can manufacture and supply this enclosure - according to customer specifications - fitted with all necessary terminals and cable glands.

**General ordering data**

Type	SFNS5 VKMU M5 SW15	Version
Order No.	<a href="#">0433500000</a>	Klippon STB (Small Terminal Box), Fixing nut, Material: Steel,
GTIN (EAN)	4008190494520	galvanised, silver
Qty.	20 pc(s).	

**Compensating Element**


Pressure-compensation elements ensure good ventilation of the enclosure and prevent the build-up of condensation while maintaining the appropriate IP class of protection.

**General ordering data**

Type	DAE M12 PA LONG	Version
Order No.	<a href="#">1868570000</a>	DAE (ventilation element), Compensating element, M 12, 10 mm,
GTIN (EAN)	4032248440429	IP66, IP68, IP69K, Polyamide 6
Qty.	10 pc(s).	

## Klippon STB (Small Terminal Box) KLIPPON STB 2 SS

**Weidmüller Interface GmbH & Co. KG**  
 Klingenbergstraße 26  
 D-32758 Detmold  
 Germany  
 Fon: +49 5231 14-0  
 Fax: +49 5231 14-292083  
 www.weidmueller.com

## Accessories

Type	DAE M12 SS	Version
Order No.	<a href="#">1868550000</a>	DAE (ventilation element), Compensating element, M 12, 10 mm,
GTIN (EAN)	4032248440405	IP66, IP68, IP69K, Stainless steel 1.4305 (303)
Qty.	10 pc(s).	

## TS 35



Ideally suited for the energy, process and transportation industries, the Klippon® STB enclosure series is the perfect complement to our existing Klippon enclosure portfolio. Enclosures in this series are approved according to international standards such as e.g. EN62208 and EN60079-0/7 (ATEX).

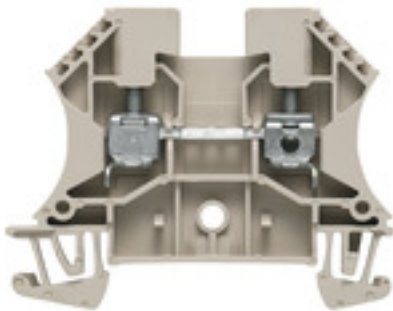
Features: .

- High-temperature-resistant seal as standard - increased temperature range of -50°C to +100°C (+120°C on request)
- Approved according to ATEX, IECEx, cULus, Lloyds Register, Germanischer Lloyd, GOST
- Flexible options for fastening the internal mounting rail
- IP66 protection
- Secure, permanent function of the seal is ensured by seal compression protection
- Earthing stud in the cover and base of the enclosure
- Laser cut weld seams for increased quality
- Already welded-on mounting feet guarantee optimum enclosure installation

Weidmüller can manufacture and supply this enclosure - according to customer specifications - fitted with all necessary terminals and cable glands.

## General ordering data

Type	TS35X7.5 ST STB 1.1 STB ...	Version
Order No.	<a href="#">8683740000</a>	Rail, TS 35, TS 35 x 7.5, Length: 110 mm, without slot, Steel,
GTIN (EAN)	4050118652765	galvanized, chromium-plated
Qty.	20 pc(s).	

**W-Series**  
**WDU 4****Weidmüller Interface GmbH & Co. KG**  
Klingenbergstraße 26  
D-32758 Detmold  
Germany  
Fon: +49 5231 14-0  
Fax: +49 5231 14-292083  
www.weidmueller.com**Product image****Klippon® Connect with clamping yoke Technology**

The high reliability and variety of designs of the terminal blocks with clamping yoke connections make planning easier and optimises operational safety. Klippon® Connect provides a proven response to a range of different requirements.

**General ordering data**

Type	WDU 4
Order No.	<a href="#">1020100000</a>
Version	Feed-through terminal, Screw connection, 4 mm <sup>2</sup> , 800 V, 32 A, dark beige
GTIN (EAN)	4008190150617
Qty.	100 pc(s).

**W-Series**  
**WDU 4**

**Weidmüller Interface GmbH & Co. KG**  
 Klingenbergstraße 26  
 D-32758 Detmold  
 Germany  
 Fon: +49 5231 14-0  
 Fax: +49 5231 14-292083  
 www.weidmueller.com

**Technical data****Dimensions and weights**

Width	6.1 mm	Width (inches)	0.24 inch
Height	60 mm	Height (inches)	2.362 inch
Depth	46.5 mm	Depth (inches)	1.831 inch
Depth including DIN rail	47 mm	Weight	9 g
Net weight	9.57 g		

**Temperatures**

Operating temperature range	For operating temperature range see EC Design Test Certificate / IEC Ex-Certificate of Conformity	Storage temperature, max.	40 °C
Storage temperature, min.	10 °C	Storage temperature	10 °C...40 °C
Continuous operating temp., min.	-60 °C	Continuous operating temp., max.	130 °C

**Material data**

Material	Wemid	Colour	dark beige
UL 94 flammability rating	V-0		

**Rating data IECEx/ATEX**

Certificate No. (ATEX)	DEMKO14ATEX1338U	Certificate No. (IECEX)	IECEXULD14.0005U
Max. voltage (ATEX)	690 V	Current (ATEX)	32 A
Wire cross section max. (ATEX)	4 mm <sup>2</sup>	Max. voltage (IECEX)	690 V
Current (IECEX)	32 A	Wire cross section max. (IECEX)	4 mm <sup>2</sup>
Operating temperature range	For operating temperature range see EC Design Test Certificate / IEC Ex-Certificate of Conformity	Marking EN 60079-7	Ex eb II C Gb
Ex 2014/34/EU label	II 2 G D		

**System specifications**

Version	Screw connection, for plug-in cross-connector, for screwable cross-connection, One end without connector	End cover plate required	Yes
Number of potentials	1	Number of levels	1
Number of clamping points per level	2	Number of potentials per tier	1
Levels cross-connected internally	No	PE connection	No
Rail	TS 35	N-function	No
PE function	No	PEN function	No

**2 clampable conductors (H05V/H07V) with equal cross-section (rated connection)**

Cross-section for connected wire, solid, two clampable wires, min.	0.5 mm <sup>2</sup>	Cross-section for connected wire, solid, two clampable wires, max.	2.5 mm <sup>2</sup>
Wire connection cross section, finely stranded, two clampable wires, min.	0.5 mm <sup>2</sup>	Wire cross-section, finely stranded, two clampable wires, max.	1.5 mm <sup>2</sup>
Wire connection cross section, finely stranded with wire-end ferrules DIN 46228/1, 2 clampable wires, min.	0.5 mm <sup>2</sup>	Wire connection cross section, finely stranded with wire-end ferrules DIN 46228/1, 2 clampable wires, max.	1.5 mm <sup>2</sup>



**W-Series**  
**WDU 4**

**Weidmüller Interface GmbH & Co. KG**  
 Klingenbergstraße 26  
 D-32758 Detmold  
 Germany  
 Fon: +49 5231 14-0  
 Fax: +49 5231 14-292083  
 www.weidmueller.com

**Technical data****Additional technical data**

Explosion-tested version	Yes	Number of similar terminals	1
Open sides	right	Type of mounting	Snap-on

**CSA rating data**

Certificate No. (CSA)	200039-1057876	Current size B (CSA)	35 A
Current size C (CSA)	35 A	Voltage size C (CSA)	600 V
Wire cross section max. (CSA)	10 AWG	Wire cross section min. (CSA)	26 AWG

**Conductors for clamping (rated connection)**

Blade size	0.6 x 3.5 mm	Clamping range, max.	6 mm <sup>2</sup>
Clamping range, min.	0.13 mm <sup>2</sup>	Clamping screw	M 3
Connection cross-section, stranded, max.	6 mm <sup>2</sup>	Connection cross-section, stranded, min.	1.5 mm <sup>2</sup>
Connection direction	on side	Gauge to IEC 60947-1	A4
Number of connections	2	Stripping length	10 mm
Tightening torque, max.	1 Nm	Tightening torque, min.	0.5 Nm
Torque level with DMS electric screwdriver	2	Twin wire-end ferrules, max.	2.5 mm <sup>2</sup>
Twin wire-end ferrules, min.	0.5 mm <sup>2</sup>	Type of connection	Screw connection
Wire connection cross section AWG, max.	AWG 10	Wire connection cross section AWG, min.	AWG 26
Wire connection cross section, finely stranded, max.	6 mm <sup>2</sup>	Wire connection cross-section, finely stranded with wire-end ferrules DIN 46228/1, max.	4 mm <sup>2</sup>
Wire connection cross-section, finely stranded with wire-end ferrules DIN 46228/1, min.	0.5 mm <sup>2</sup>	Wire connection cross-section, finely stranded with wire-end ferrules DIN 46228/4, max.	4 mm <sup>2</sup>
Wire connection cross-section, finely stranded with wire-end ferrules DIN 46228/4, min.	0.5 mm <sup>2</sup>	Wire connection cross-section, finely stranded, min.	0.5 mm <sup>2</sup>
Wire connection cross-section, solid core, max.	6 mm <sup>2</sup>	Wire connection cross-section, solid core, min.	0.5 mm <sup>2</sup>

**Rating data**

Rated cross-section	4 mm <sup>2</sup>	Rated voltage	800 V
Rated current	32 A	Current at maximum wires	41 A
Standards	IEC 60947-7-1	Volume resistance according to IEC 60947-7-x	1 mΩ
Power loss in accordance with IEC 60947-7-x	1.02 W	Rated impulse withstand voltage	8 kV
Pollution severity	3		

**UL rating data**

Certificate No. (UR)	E60693	Conductor size Factory wiring max. (UR)	10 AWG
Conductor size Factory wiring min. (UR)	26 AWG	Conductor size Field wiring max. (UR)	10 AWG
Conductor size Field wiring min. (UR)	22 AWG	Current size C (UR)	35 A
Voltage size C (UR)	600 V		

**Data sheet**

**W-Series  
WDU 4**

**Weidmüller Interface GmbH & Co. KG**  
 Klingenbergstraße 26  
 D-32758 Detmold  
 Germany  
 Fon: +49 5231 14-0  
 Fax: +49 5231 14-292083  
 www.weidmueller.com

**Technical data**

**Classifications**

ETIM 6.0	EC000897	ETIM 7.0	EC000897
eClass 9.0	27-14-11-20	eClass 9.1	27-14-11-20
eClass 10.0	27-14-11-20	UNSPSC	30-21-18-11

**Approvals**

Approvals



ROHS Conform

**Downloads**

Approval/Certificate/Document of Conformity	<a href="#">Attestation of Conformity</a> <a href="#">IECEX Certificate</a> <a href="#">CB Testreport</a> <a href="#">CB Certificate</a> <a href="#">DE_PT1001_20160414_197_ISSUE01.pdf</a> <a href="#">ATEX Certificate</a>
Brochure/Catalogue	<a href="#">CAT 5 ENCL 17/18 EN</a> <a href="#">CAT 1 TERM 16/17 EN</a>
Engineering Data	<a href="#">EPLAN, WSCAD, Zuken E3.S</a>
Engineering Data	<a href="#">STEP</a>
User Documentation	<a href="#">NTI WDU/WPE 4</a> <a href="#">StorageConditionsTerminalBlocks</a>

**Safety note**

Safety notice [Safety Information](#)

**Data sheet**

**W-Series**  
**WDU 4**

**Weidmüller Interface GmbH & Co. KG**  
Klingenbergstraße 26  
D-32758 Detmold  
Germany  
Fon: +49 5231 14-0  
Fax: +49 5231 14-292083  
[www.weidmueller.com](http://www.weidmueller.com)

**Drawings**



**W-Series  
WDU 4**

**Weidmüller Interface GmbH & Co. KG**  
 Klingenbergstraße 26  
 D-32758 Detmold  
 Germany  
 Fon: +49 5231 14-0  
 Fax: +49 5231 14-292083  
 www.weidmueller.com

**Accessories**

**ZGB pivotable group tag holder**



The ZGB 15 is a hinged group tag carrier. The tag carrier can hold the dekafix 5, WS 12/5 terminal markers or the inlay tag ESO 15.

The ZGB 30 is a hinged group tag carrier. The tag carrier can hold the dekafix 5, WS 12/5 terminal markers or the inlay tag ESO 7.

Inlay tags and protective strips can be found under "Accessories".

**General ordering data**

Type	ZGB 30	Version
Order No.	<a href="#">1611930000</a>	Terminal markers, Terminal marker, 32 x 7 mm, Pitch in mm (P): 5.00
GTIN (EAN)	4008190002251	white
Qty.	20 pc(s).	
Type	ZGB 15	Version
Order No.	<a href="#">1636530000</a>	Terminal markers, Terminal marker, 15 x 7 mm, Pitch in mm (P): 5.00
GTIN (EAN)	4008190297053	Weidmueller, white
Qty.	20 pc(s).	

**Partition plates**



**Klippon® Connect with clamping yoke Technology**

The high reliability and variety of designs of the terminal blocks with clamping yoke connections make planning easier and optimises operational safety. Klippon® Connect provides a proven response to a range of different requirements.

**General ordering data**

Type	WTW EN	Version
Order No.	<a href="#">1058800000</a>	W-Series, Separation plate
GTIN (EAN)	4008190140175	
Qty.	20 pc(s).	

**W-Series  
WDU 4**

**Weidmüller Interface GmbH & Co. KG**  
 Klingenbergstraße 26  
 D-32758 Detmold  
 Germany  
 Fon: +49 5231 14-0  
 Fax: +49 5231 14-292083  
 www.weidmueller.com

**Accessories**

**End brackets**



**Klippon® Connect with clamping yoke Technology**

The high reliability and variety of designs of the terminal blocks with clamping yoke connections make planning easier and optimises operational safety. Klippon® Connect provides a proven response to a range of different requirements.

**General ordering data**

Type	WEW 35/2	Version
Order No.	<a href="#">1061200000</a>	W-Series, End bracket
GTIN (EAN)	4008190030230	
Qty.	100 pc(s).	

**Blank**



The WAD connector marker is suitable for W-series terminals and for the WEW 35/2 and ZEW 35/2 end brackets. The markers are available as blank markers, with custom printing or standard print with lightning symbol. The WAD MultiCard markers are suitable for labelling with PrintJet ADVANCED printers.

- High-quality and resistant printing with PrintJet
- WAD marker and cover for the W-series terminals and the WEW 35/2 or ZEW 35/2 end brackets
- Available as blank markers, with custom printing or standard print with lightning symbol
- Quick and easy installation

**For custom printing:** Please send us a file of our labeling software M-Print PRO or M-Print PRO Online (without installation) for your labeling specifications.

**General ordering data**

Type	WAD 5 MC NE GE	Version
Order No.	<a href="#">1112920000</a>	Group markers, Cover, 33.3 x 5 mm, Pitch in mm (P): 5.00 yellow
GTIN (EAN)	4032248891771	
Qty.	48 pc(s).	
Type	WAD 5 MC NE WS	Version
Order No.	<a href="#">1112910000</a>	Group markers, Cover, 33.3 x 5 mm, Pitch in mm (P): 5.00 white
GTIN (EAN)	4032248891689	
Qty.	48 pc(s).	

**W-Series**  
**WDU 4**

**Weidmüller Interface GmbH & Co. KG**  
 Klingenbergstraße 26  
 D-32758 Detmold  
 Germany  
 Fon: +49 5231 14-0  
 Fax: +49 5231 14-292083  
 www.weidmueller.com

**Accessories****ZQV 4N****Spring connection with PUSH IN Technology**

The innovative PUSH IN technology reduces the amount of time you spend on wiring to a minimum. Direct insertion guarantees high conductor pull-out forces and simple handling for all conductor types.

**General ordering data**

Type	ZQV 4N/8 BL
Order No.	<a href="#">1528190000</a>
GTIN (EAN)	4050118332858
Qty.	20 pc(s).
Type	ZQV 4N/9
Order No.	<a href="#">1528070000</a>
GTIN (EAN)	4050118332797
Qty.	20 pc(s).
Type	ZQV 4N/10
Order No.	<a href="#">1528090000</a>
GTIN (EAN)	4050118332896
Qty.	20 pc(s).
Type	ZQV 4N/50 BL
Order No.	<a href="#">1528240000</a>
GTIN (EAN)	4050118333121
Qty.	5 pc(s).
Type	ZQV 4N/7 RD
Order No.	<a href="#">2460770000</a>
GTIN (EAN)	4050118476194
Qty.	20 pc(s).
Type	ZQV 4N/3
Order No.	<a href="#">1527940000</a>
GTIN (EAN)	4050118332865
Qty.	60 pc(s).
Type	ZQV 4N/30 RD
Order No.	<a href="#">2561600000</a>
GTIN (EAN)	4050118569964
Qty.	5 pc(s).
Type	ZQV 4N/4
Order No.	<a href="#">1527970000</a>
GTIN (EAN)	4050118332889
Qty.	60 pc(s).
Type	ZQV 4N/5 BL
Order No.	<a href="#">1528140000</a>
GTIN (EAN)	4050118333015
Qty.	60 pc(s).
Type	ZQV 4N/2
Order No.	<a href="#">1527930000</a>
GTIN (EAN)	4050118332766
Qty.	60 pc(s).

Creation date May 1, 2020 8:17:31 AM CEST

**W-Series**  
**WDU 4**

**Weidmüller Interface GmbH & Co. KG**  
 Klingenbergstraße 26  
 D-32758 Detmold  
 Germany  
 Fon: +49 5231 14-0  
 Fax: +49 5231 14-292083  
 www.weidmueller.com

**Accessories**

Type	ZQV 4N/10 BL
Order No.	<a href="#">1528230000</a>
GTIN (EAN)	4050118333138
Qty.	20 pc(s).
Type	ZQV 4N/8
Order No.	<a href="#">1528030000</a>
GTIN (EAN)	4050118332841
Qty.	20 pc(s).
Type	ZQV 4N/4 BL
Order No.	<a href="#">1528120000</a>
GTIN (EAN)	4050118332872
Qty.	60 pc(s).
Type	ZQV 4N/4 RD
Order No.	<a href="#">2460800000</a>
GTIN (EAN)	4050118476224
Qty.	60 pc(s).
Type	ZQV 4N/2 BL
Order No.	<a href="#">1528040000</a>
GTIN (EAN)	4050118332773
Qty.	60 pc(s).
Type	ZQV 4N/10 RD
Order No.	<a href="#">2460740000</a>
GTIN (EAN)	4050118476163
Qty.	20 pc(s).
Type	ZQV 4N/7 BL
Order No.	<a href="#">1528180000</a>
GTIN (EAN)	4050118333114
Qty.	20 pc(s).
Type	ZQV 4N/30 BL
Order No.	<a href="#">2561610000</a>
GTIN (EAN)	4050118569971
Qty.	5 pc(s).
Type	ZQV 4N/50 RD
Order No.	<a href="#">2460730000</a>
GTIN (EAN)	4050118476156
Qty.	5 pc(s).
Type	ZQV 4N/3 BL
Order No.	<a href="#">1528080000</a>
GTIN (EAN)	4050118333008
Qty.	60 pc(s).
Type	ZQV 4N/6
Order No.	<a href="#">1527990000</a>
GTIN (EAN)	4050118332919
Qty.	20 pc(s).
Type	ZQV 4N/5
Order No.	<a href="#">1527980000</a>
GTIN (EAN)	4050118332759
Qty.	60 pc(s).
Type	ZQV 4N/9 RD
Order No.	<a href="#">2460750000</a>
GTIN (EAN)	4050118476170
Qty.	20 pc(s).

Creation date May 1, 2020 8:17:31 AM CEST

**W-Series  
WDU 4**

**Weidmüller Interface GmbH & Co. KG**  
Klingenbergstraße 26  
D-32758 Detmold  
Germany  
Fon: +49 5231 14-0  
Fax: +49 5231 14-292083  
www.weidmueller.com

**Accessories**

---

Type ZQV 4N/3 RD  
Order No. [2460810000](#)  
GTIN (EAN) 4050118476231  
Qty. 60 pc(s).

---

Type ZQV 4N/30  
Order No. [2561580000](#)  
GTIN (EAN) 4050118570113  
Qty. 5 pc(s).

---

Type ZQV 4N/9 BL  
Order No. [1528220000](#)  
GTIN (EAN) 4050118333107  
Qty. 20 pc(s).

---

Type ZQV 4N/50  
Order No. [1528130000](#)  
GTIN (EAN) 4050118332902  
Qty. 5 pc(s).

---

Type ZQV 4N/2 RD  
Order No. [2460450000](#)  
GTIN (EAN) 4050118476149  
Qty. 60 pc(s).

---

Type ZQV 4N/6 RD  
Order No. [2460780000](#)  
GTIN (EAN) 4050118476200  
Qty. 20 pc(s).

---

Type ZQV 4N/7  
Order No. [1528020000](#)  
GTIN (EAN) 4050118332780  
Qty. 20 pc(s).

---

Type ZQV 4N/8 RD  
Order No. [2460760000](#)  
GTIN (EAN) 4050118476187  
Qty. 20 pc(s).

---

Type ZQV 4N/5 RD  
Order No. [2460790000](#)  
GTIN (EAN) 4050118476217  
Qty. 60 pc(s).

---

Type ZQV 4N/6 BL  
Order No. [1528170000](#)  
GTIN (EAN) 4050118332926  
Qty. 20 pc(s).

---



**W-Series**  
**WDU 4**

**Weidmüller Interface GmbH & Co. KG**  
 Klingenbergstraße 26  
 D-32758 Detmold  
 Germany  
 Fon: +49 5231 14-0  
 Fax: +49 5231 14-292083  
 www.weidmueller.com

**Accessories****ZQV 4N****Spring connection with tension clamp Technology**

Tension clamp technology is a universal contact system for all common conductor connection types. Its fantastic level of flexibility makes the tension clamp a profitable alternative connection.

**General ordering data**

Type	ZQV 4N/20 GE	Version
Order No.	<a href="#">1909020000</a>	Accessories, Cross-connector, 32 A
GTIN (EAN)	4032248535644	
Qty.	20 pc(s).	
Type	ZQV 4N/4 GE	Version
Order No.	<a href="#">1762620000</a>	Accessories, Cross-connector, 32 A
GTIN (EAN)	4032248169771	
Qty.	60 pc(s).	
Type	ZQV 4N/3 GE	Version
Order No.	<a href="#">1762630000</a>	Accessories, Cross-connector, 32 A
GTIN (EAN)	4032248169788	
Qty.	60 pc(s).	
Type	ZQV 4N/2 GE	Version
Order No.	<a href="#">1758250000</a>	Accessories, Cross-connector, 32 A
GTIN (EAN)	4032248169795	
Qty.	60 pc(s).	
Type	ZQV 4N/10 GE	Version
Order No.	<a href="#">1758260000</a>	Accessories, Cross-connector, 32 A
GTIN (EAN)	4032248169764	
Qty.	20 pc(s).	

**End plates****Klippon® Connect with clamping yoke Technology**

The high reliability and variety of designs of the terminal blocks with clamping yoke connections make planning easier and optimises operational safety. Klippon® Connect provides a proven response to a range of different requirements.

**General ordering data**

Type	WAP 2.5-10	Version
Order No.	<a href="#">1050000000</a>	W-Series, End plate
GTIN (EAN)	4008190103149	
Qty.	50 pc(s).	

## Data sheet

### W-Series WDU 4

**Weidmüller Interface GmbH & Co. KG**  
 Klingenbergstraße 26  
 D-32758 Detmold  
 Germany  
 Fon: +49 5231 14-0  
 Fax: +49 5231 14-292083  
 www.weidmueller.com

## Accessories

Type	WAP 2.5-10 BL	Version
Order No.	<a href="#">1050080000</a>	W-Series, End plate
GTIN (EAN)	4008190136611	
Qty.	50 pc(s).	
Type	WAP 16+35 WTW 2.5-10	Version
Order No.	<a href="#">1050100000</a>	W-Series, End plate, Separation plate
GTIN (EAN)	4008190079901	
Qty.	20 pc(s).	
Type	WAP 16+35 WTW 2.5-10 BL	Version
Order No.	<a href="#">1050180000</a>	W-Series, End plate, Separation plate
GTIN (EAN)	4008190013899	
Qty.	20 pc(s).	

## PicoPak



### PicoPak: the robust one

- Space-saving in the control cabinet thanks to the slim 6 mm width
- Passive isolator, loop-powered at the input and output
- Increased operating temperature range: -40°C ...+70°C
- Zero and Span adjustment possible

## General ordering data

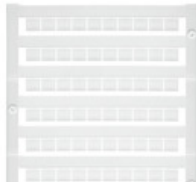
Type	WS 12/6 MC NE WS	Version
Order No.	<a href="#">1609900000</a>	WS, Terminal marker, 12 x 6 mm, Pitch in mm (P): 6.00 Weidmueller,
GTIN (EAN)	4008190203467	Allen-Bradley, white
Qty.	600 pc(s).	

## W-Series WDU 4

**Weidmüller Interface GmbH & Co. KG**  
 Klingenbergstraße 26  
 D-32758 Detmold  
 Germany  
 Fon: +49 5231 14-0  
 Fax: +49 5231 14-292083  
 www.weidmueller.com

## Accessories

### Blank



The Dekafix (DEK) marker is the universal marker for all conductor and plug-in connectors as well as for electronic sub-assemblies. The system is ideal for short number sequences and covers a wide range of ready-printed markers.

Strips for fast installation in only one work step. The printing is easy to read, rich in contrast and available in various widths.

- Large range of ready-to-use markers
- Strips for fast installation
- Terminal markers, suitable for all Weidmüller cable connectors
- Available as blank MultiCard or with standard printing

**For custom printing:** Please send us a file of our labeling software M-Print PRO or M-Print PRO Online (without installation) for your labeling specifications.

### General ordering data

Type	DEK 5/6 MC NE WS	Version
Order No.	<a href="#">1609820000</a>	Dekafix, Terminal marker, 5 x 6 mm, Pitch in mm (P): 6.00
GTIN (EAN)	4008190203436	Weidmueller, white
Qty.	1,000 pc(s).	

### Test adapter



### Klippon® Connect with clamping yoke Technology

The high reliability and variety of designs of the terminal blocks with clamping yoke connections make planning easier and optimises operational safety. Klippon® Connect provides a proven response to a range of different requirements.

### General ordering data

Type	WTA 3 WDU4	Version
Order No.	<a href="#">1632350000</a>	W-Series, Test adapter
GTIN (EAN)	4008190209711	
Qty.	25 pc(s).	
Type	WTA 3/ZA WDU4	Version
Order No.	<a href="#">1632360000</a>	W-Series, Test adapter
GTIN (EAN)	4008190209704	
Qty.	25 pc(s).	

## W-Series WDU 4

**Weidmüller Interface GmbH & Co. KG**  
 Klingenbergstraße 26  
 D-32758 Detmold  
 Germany  
 Fon: +49 5231 14-0  
 Fax: +49 5231 14-292083  
 www.weidmueller.com

## Accessories

### Non-insulated sockets



#### **Klippon® Connect with clamping yoke Technology**

The high reliability and variety of designs of the terminal blocks with clamping yoke connections make planning easier and optimises operational safety. Klippon® Connect provides a proven response to a range of different requirements.

#### General ordering data

Type	STB 8.5/5/2.3/M3 SAK2.5	Version
Order No.	<a href="#">028060000</a>	Accessories, Socket
GTIN (EAN)	4008190023188	
Qty.	50 pc(s).	

### DEK 5/6



#### **WS/ DEK**

MultiMark DEK/WS connector markers use an innovative composite material made from two components. The hard base contour of the marker snaps securely into the connector. The elastic surface finish makes the marker easy to mount. This specially punched material enables the strips to be stretched to accommodate the slight variations in spacing that tend to add up, especially with long terminal blocks. Another advantage: the excellent printability of the surface material guarantees durable and wear-resistant labelling. A print resolution of 300 dpi also produces a very legible script.

#### **Your benefits with MultiMark**

- Firm hold and durable printing
- Continuous strips save installation time
- Easy mounting thanks to an innovative composite material
- Large label field for optimal legibility
- High flexibility thanks to manufacturer independence

#### General ordering data

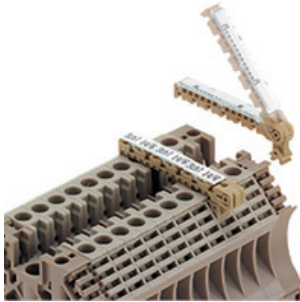
Type	DEK 5/6 MM WS	Version
Order No.	<a href="#">200712000</a>	Dekafix, Terminal marker, 5 x 6 mm, Weidmueller, white
GTIN (EAN)	4050118392104	
Qty.	600 pc(s).	

**W-Series  
WDU 4**

**Weidmüller Interface GmbH & Co. KG**  
 Klingenbergstraße 26  
 D-32758 Detmold  
 Germany  
 Fon: +49 5231 14-0  
 Fax: +49 5231 14-292083  
 www.weidmueller.com

**Accessories**

**SchT group marker carrier**



The SchT 5 S group tag carriers are clipped directly onto the TS 32 mounting rail (G-rail) or the TS 35 mounting rail (top-hat rail). It is therefore possible to label the terminal strip irrespective of the terminal and the type of terminal. SchT 5 and SchT 5 S are fitted with ESO 5, STR 5 protective strips.  
 The SchT 7 is a hinged group tag carrier for inlay tags which enables easy access to the clamping screw. The SchT 7 is fitted with ESO 7, STR 7 protective strips or DEK 5.  
 SchT 9/4 and SchT 14/6 are hinged group tag carriers for single dekafix and WS tags that enable easy access to the clamping screw.  
 SchT 9/4 and SchT 14/6 are fitted with WS or DEK. Inlay tags and protective strips can be found under "Accessories".

**General ordering data**

Type	SCHT 7	Version
Order No.	<a href="#">0517960000</a>	SCHT, Terminal marker, 39.3 x 8 mm, Pitch in mm (P): 7.00
GTIN (EAN)	4008190001742	Weidmueller, white
Qty.	20 pc(s).	

**Shielding bus**



**Klippon® Connect with clamping yoke Technology**  
 The high reliability and variety of designs of the terminal blocks with clamping yoke connections make planning easier and optimises operational safety. Klippon® Connect provides a proven response to a range of different requirements.

**General ordering data**

Type	LS 2.8 WDU2.5-10	Version
Order No.	<a href="#">1056400000</a>	W-Series, Shield bus
GTIN (EAN)	4008190036454	
Qty.	100 pc(s).	

## W-Series WDU 4

**Weidmüller Interface GmbH & Co. KG**  
 Klingenbergstraße 26  
 D-32758 Detmold  
 Germany  
 Fon: +49 5231 14-0  
 Fax: +49 5231 14-292083  
 www.weidmueller.com

# Accessories

## WQV 4



### Klippon® Connect with clamping yoke Technology

The high reliability and variety of designs of the terminal blocks with clamping yoke connections make planning easier and optimises operational safety. Klippon® Connect provides a proven response to a range of different requirements.

### General ordering data

Type	WQV 4/2	Version
Order No.	<a href="#">1051960000</a>	W-Series, Cross-connector, For the terminals, Number of poles: 2
GTIN (EAN)	4008190026486	
Qty.	50 pc(s).	
Type	WQV 4/4	Version
Order No.	<a href="#">1054660000</a>	W-Series, Cross-connector, For the terminals, Number of poles: 4
GTIN (EAN)	4008190095758	
Qty.	50 pc(s).	
Type	WQV 4/3	Version
Order No.	<a href="#">1054560000</a>	W-Series, Cross-connector, For the terminals, Number of poles: 3
GTIN (EAN)	4008190168971	
Qty.	50 pc(s).	
Type	WQV 4/10	Version
Order No.	<a href="#">1052060000</a>	W-Series, Cross-connector, For the terminals, Number of poles: 10
GTIN (EAN)	4008190054687	
Qty.	20 pc(s).	

## Test sockets



### Current and voltage transformer wiring

Our test disconnect terminal blocks featuring spring and screw connection technology allow you to create all the important converter circuits for measuring current, voltage and power in a safe and sophisticated way.

### General ordering data

Type	STB 21.6/IH/BL WTL6/3	Version
Order No.	<a href="#">1071080000</a>	Accessories, Socket
GTIN (EAN)	4008190043957	
Qty.	50 pc(s).	
Type	STB 21.6/IH/GN WTL6/3	Version
Order No.	<a href="#">1071020000</a>	Accessories, Socket
GTIN (EAN)	4008190259228	
Qty.	50 pc(s).	

**W-Series**  
**WDU 4**

**Weidmüller Interface GmbH & Co. KG**  
 Klingenbergstraße 26  
 D-32758 Detmold  
 Germany  
 Fon: +49 5231 14-0  
 Fax: +49 5231 14-292083  
 www.weidmueller.com

**Accessories**

Type	STB 21.6/IH/GE WTL6/3	Version
Order No.	<a href="#">1071010000</a>	Accessories, Socket
GTIN (EAN)	4008190259211	
Qty.	50 pc(s).	
Type	STB 21.6/IH/WS WTL6/3	Version
Order No.	<a href="#">1312520000</a>	Accessories, Socket
GTIN (EAN)	4050118121704	
Qty.	50 pc(s).	
Type	STB 21.6/IH/RT WTL6/3	Version
Order No.	<a href="#">1778990000</a>	Accessories, Socket
GTIN (EAN)	4032248169665	
Qty.	50 pc(s).	
Type	STB 21.6/IH/DB WTL6/3	Version
Order No.	<a href="#">1071000000</a>	Accessories, Socket
GTIN (EAN)	4008190259204	
Qty.	50 pc(s).	
Type	STB 21.6/IH/VI WTL6/3	Version
Order No.	<a href="#">1071030000</a>	Accessories, Socket
GTIN (EAN)	4008190259235	
Qty.	50 pc(s).	
Type	STB 21.6/IH/SW WTL6/3	Version
Order No.	<a href="#">1071040000</a>	Accessories, Socket
GTIN (EAN)	4008190859985	
Qty.	50 pc(s).	

**Klippon BDX (compensating elements)  
KLIPPON BDX M20 S**

**Weidmüller Interface GmbH & Co. KG**  
Klingenbergstraße 26  
D-32758 Detmold  
Germany  
Fon: +49 5231 14-0  
Fax: +49 5231 14-292083  
www.weidmueller.com



Pressure-compensation elements ensure good ventilation of the enclosure and prevent the build-up of condensation while maintaining the appropriate IP class of protection.

**General ordering data**

Type	KLIPPON BDX M20 S
Order No.	<a href="#">2519550000</a>
Version	Klippon BDX (compensating elements), Compensating element, M 20, 10 mm, IP66, Stainless steel 1.4404 (316L)
GTIN (EAN)	4050118532043
Qty.	1 pc(s).



**Klippon BDX (compensating elements)  
KLIPPON BDX M20 S**

**Weidmüller Interface GmbH & Co. KG**  
Klingenbergstraße 26  
D-32758 Detmold  
Germany  
Fon: +49 5231 14-0  
Fax: +49 5231 14-292083  
www.weidmueller.com

**Technical data**
**Dimensions and weights**

Length	22 mm	Length (inches)	0.866 inch
Width	27 mm	Width (inches)	1.063 inch
Net weight	60 g		

**General information**

Material	Stainless steel 1.4404 (316L)	External thread	M 20
Pitch of thread	1.5 mm	Length of thread	10 mm
AF size 1	27 mm	Impact resistance	7 J ATEX version
Protection degree	IP66	Protection degree with GWDR	IP66
Operating temperature range, min.	-60 °C	Operating temperature range, max.	200 °C
Head diameter	26.2 mm	Air flow	0.25 l / 1 h
Filter	Bronze insert (90% copper, 10% tin)	O-Ring	Silicone
Sealing	Silicone	Tightening torque	10 Nm
Torque for connecting adapter, min.	10 Nm	Torque for connecting adapter, max.	10 Nm
Torque for lock nut, min.	10 Nm	Torque for lock nut, max.	10 Nm
Standards	IEC 60079-0, IEC 60079-7, IEC 60079-31	Note: protection class	- The venting element should be fitted on the bottom side of the enclosure, aligned vertically with the thread upwards, and at the lowest point to permit proper drainage. - The supplied assembly instructions must be read prior to installation and strictly adhered to. - The water flow rate was tested using a water-filled, empty enclosure (no pressure or heat-producing internal components). The water flow rate may vary due to operational parameters and environmental conditions.

**Classifications**

ETIM 6.0	EC000814	ETIM 7.0	EC000814
eClass 9.0	27-14-44-25	eClass 9.1	27-14-44-90
eClass 10.0	27-14-44-25		

**Approvals**

Approvals



ROHS

Conform

**Downloads**

Engineering Data [EPLAN](#)  
Engineering Data [STEP](#)

Creation date May 1, 2020 8:17:31 AM CEST