

## KLIPPON K31 4M20AB CSS

**Weidmüller Interface GmbH & Co. KG**

Klingenbergstraße 26

D-32758 Detmold

Germany

Fon: +49 5231 14-0

Fax: +49 5231 14-292083

www.weidmueller.com



The Klippon® brand has long stood for competence and quality in housings, particularly when customer solutions for standard industrial applications and applications in explosive risk zones are concerned.

Weidmüller meets these requirements with its range of steel sheet enclosures in the new Klippon® TB series, available in Multi-Hinge (MH) and Quarter-Lock (QL) versions, the Klippon® STB series and the aluminium enclosures of the Klippon® K series.

The portfolio is rounded off with the polyester enclosures of the Klippon® POK series and the polycarbonate enclosures.

Irrespective of which application users are planning, Weidmüller offers numerous precisely fitting housing solutions and individual services: turnkey enclosures with customer-specific configurations such as terminal rails, drilled holes, cable glands, cutouts, special coatings and much more besides.

### General ordering data

Type	KLIPPON K31 4M20AB CSS
Order No.	<a href="#">8000004154</a>
Version	Housing with threaded hole, Aluminium AISi12, Drill holes side A: 4 x M20x1.5, Drill holes side B: 4 x M20x1.5
GTIN (EAN)	4032248986255
Qty.	1 pc(s).
Reference product	<a href="#">0573500000</a>

**KLIPPON K31 4M20AB CSS**

**Weidmüller Interface GmbH & Co. KG**  
 Klingenbergstraße 26  
 D-32758 Detmold  
 Germany  
 Fon: +49 5231 14-0  
 Fax: +49 5231 14-292083  
 www.weidmueller.com

**Technical data****Dimensions and weights**

Net weight	542 g
------------	-------

**Environmental Product Compliance**

REACH SVHC	Lead 7439-92-1
------------	----------------

**Housing**

Drill holes side A	4 x M20x1.5	Drill holes side B	4 x M20x1.5
Material	Aluminium AlSi12		

**Classifications**

ETIM 6.0	EC000261	ETIM 7.0	EC000261
eClass 9.0	27-18-01-01	eClass 9.1	27-18-92-90
eClass 10.0	27-18-01-01		

**Approvals**

Approvals



ROHS	Conform
------	---------

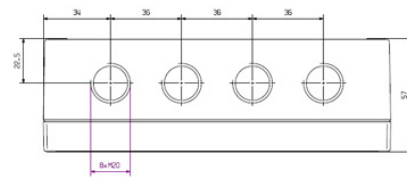
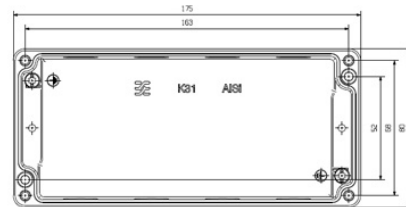
**Downloads**

Brochure/Catalogue	<a href="#">CAT 5 ENCL 17/18 EN</a>
PDF (3D)	<a href="#">8000004154.pdf</a>

**KLIPPON K31 4M20AB CSS**

**Weidmüller Interface GmbH & Co. KG**  
Klingenbergstraße 26  
D-32758 Detmold  
Germany  
Fon: +49 5231 14-0  
Fax: +49 5231 14-292083  
www.weidmueller.com

**Drawings**



**KLIPPON K31 4M20AB CSS**

**Weidmüller Interface GmbH & Co. KG**  
 Klingenbergstraße 26  
 D-32758 Detmold  
 Germany  
 Fon: +49 5231 14-0  
 Fax: +49 5231 14-292083  
 www.weidmueller.com

**Accessories**
**KSG BN O NI - nickel-plated version with neoprene seal**


The KSG is only intended for use when connecting non-armoured cables and lines. When the cable gland is ordered together with a neoprene seal, the seal allows temperatures from -20°C to +85°C. When using a silicone seal, a temperature range of -60°C to +180°C is possible. The O-ring and the cable gland included in the delivery are made from the same material. IP66 or IP68 protection at a depth of 25 metres under water (a pressure of 2.5 bar) is guaranteed when using this sealing material. The KSG is permitted for use with pressure-resistant Ex d encapsulations and increased safety Ex e.

**General ordering data**

Type	KSG M20 BN O NI 2 G20	Version
Order No.	<a href="#">1911560000</a>	KSG (Klippon standard Ex cable gland), Cable glands, M 20, 16 mm,
GTIN (EAN)	4032248539604	OD min. 9.6 - OD max. 14 mm, IP66, IP68 - 2.5 bar, Brass, nickel-
Qty.	20 pc(s).	plated

**Plastic blanking plugs Ex e/i 7 Joule**


For sealing surplus threaded holes to maintain the IP class of protection

**General ordering data**

Type	VP M20 EX SI 7J	Version
Order No.	<a href="#">2066730000</a>	VPK EX 7J (Ex blanking plug, plastic, 7J), Blanking plug, M 20, 11
GTIN (EAN)	4050118415346	mm, IP54, IP66, IP67, IP68 - 5 bar (30 min.), Polyamide 6
Qty.	100 pc(s).	

**KLIPPON K31 4M20AB CSS**

**Weidmüller Interface GmbH & Co. KG**  
Klingenbergstraße 26  
D-32758 Detmold  
Germany  
Fon: +49 5231 14-0  
Fax: +49 5231 14-292083  
www.weidmueller.com

**Accessories****External thread M20**

The range of cable glands is rounded off by a large number of accessories.

Adaptors serve as connection pieces between threaded holes and cable glands with differing thread sizes and types.

**General ordering data**

Type	ADAP EX M20-M16	Version
Order No.	<a href="#">1737560000</a>	ADAP (adaptor, extensions and reductions), Adapter, M 20 ,M 16,
GTIN (EAN)	4008190957599	IP54, Brass, nickel-plated
Qty.	1 pc(s).	

## Klippon K (aluminium empty enclosure) KLIPPON K31

**Weidmüller Interface GmbH & Co. KG**  
Klingenbergstraße 26  
D-32758 Detmold  
Germany  
Fon: +49 5231 14-0  
Fax: +49 5231 14-292083  
www.weidmueller.com



The Klippon® brand has long stood for competence and quality in housings – particularly when turnkey, customer-specific solutions for standard industrial applications and applications in explosive risk zones are concerned.

Improved products that meet all application requirements: this was Weidmüller's aim when modernising and upgrading the Klippon® K enclosure series. No matter what kind of application the customer is planning; Weidmüller is able to provide a wide range of aluminium enclosures precisely fitting the customer's requirements.

- Available in two surface finishes: natural and powder-coated (RAL 7001)
- Available with moulded silicone or chloroprene gasket as standard
- Uniform Torx slotted screw head for 19 enclosure sizes
- Mounting holes outside of the gasket area
- High IP protection classes: IP66, IP67 and IP68
- Impact resistance of up to 7 (10) Joules
- The enclosures are approved according ATEX, IECEx, GOST Ex, GOST, cULus, Russian Maritime Register and Germanischer Lloyd as well as the empty enclosure standard.
- Alloy is resistant to salt water
- Standardised distributor enclosures with threaded holes and a variety of terminal configurations

### General ordering data

Type	KLIPPON K31
Order No.	<a href="#">0573500000</a>
Version	Klippon K (aluminium empty enclosure), Empty enclosure, Aluminium enclosure, Height: 80 mm, Width: 175 mm, Depth: 57 mm, Material: Aluminium AlSi12, untreated, silver
GTIN (EAN)	4008190471385
Qty.	5 pc(s).

**Klippon K (aluminium empty enclosure)  
KLIPPON K31**

**Weidmüller Interface GmbH & Co. KG**  
 Klingenbergstraße 26  
 D-32758 Detmold  
 Germany  
 Fon: +49 5231 14-0  
 Fax: +49 5231 14-292083  
 www.weidmueller.com

**Technical data****Dimensions and weights**

Width	175 mm	Width (inches)	6.89 inch
Height	80 mm	Height (inches)	3.15 inch
Depth	57 mm	Depth (inches)	2.244 inch
Mounting dimension - width	163 mm	Mounting dimension - height	52 mm
Weight	520 g	Net weight	569.6 g

**Environmental Product Compliance**

REACH SVHC Lead 7439-92-1

**Cable glands, left**

M12	2	M16	2
M20	1		

**Cable glands, right**

M12	2	M16	2
M20	1		

**Cable glands, top/bottom**

M12	9	M16	6
M20	4	M25	3

**Certificate numbers enclosure**

Certificate No. (GERMLLOYD)	TAE00002SM	Certificate No. (MARITREG)	19.00108.272
Certificate no. (cULus)	E197061		

**General information**

Areas of use	Process industry, Transportation, Marine engineering, Packaging industry, Harbour facilities, Machine construction	Material thickness	4 mm
Material thickness of cover	2.5 mm	Material thickness of enclosure	4 mm
Torque for lid screws	2.5 Nm	Material	Aluminium AlSi12
Seal material	Chloroprene	Surface finish	untreated
Operating temperature, min.	-40 °C	Operating temperature, max.	80 °C
Impact resistance	10.00 J	Protection degree	IP66, IP67, IP68
Note: protection class	IP68 (t=72h, h=1m)	Enclosure attachment	Holes 4 mm
Lid attachment	M4 torx stainless steel screws with slot	Integral fixing	Threaded holes M4

**horizontal assembly**

WDU 2,5 / ZDU 2,5 / IDU 2,5	1x23	WDU 4 / ZDU 4	1x19
-----------------------------	------	---------------	------

**vertical assembly**

WDU 2,5 / ZDU 2,5 / IDU 2,5	*	WDU 4 / ZDU 4	*
-----------------------------	---	---------------	---

**Klippon K (aluminium empty enclosure)  
KLIPPON K31**

**Weidmüller Interface GmbH & Co. KG**  
Klingenbergstraße 26  
D-32758 Detmold  
Germany  
Fon: +49 5231 14-0  
Fax: +49 5231 14-292083  
www.weidmueller.com

**Technical data**

**Classifications**

ETIM 6.0	EC000261	ETIM 7.0	EC000261
eClass 9.0	27-18-01-01	eClass 9.1	27-18-92-90
eClass 10.0	27-18-01-01	UNSPSC	31-26-15-02

**Approvals**

Approvals



ROHS Conform

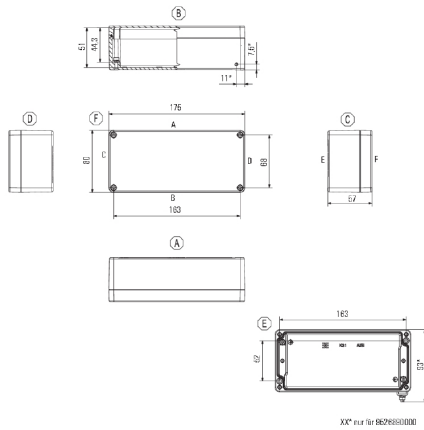
**Downloads**

Approval/Certificate/Document of Conformity	<a href="#">EU Declaration of Conformity - Klippon K Empty Enclosures - DoC DE PS2410_160412_001ISS01</a>
Brochure/Catalogue	<a href="#">MB KLIPPON ENCL.TECN EN</a> <a href="#">CAT 5 ENCL 17/18 EN</a> <a href="#">FL RAILWAY 2014 EN</a>
Engineering Data	<a href="#">EPLAN_WSCAD</a>
Engineering Data	<a href="#">STEP</a>
Tender specification	<a href="#">Klippon K31_0573500000_DE</a> <a href="#">Klippon K31_0573500000_EN</a>
User Documentation	<a href="#">MB KLIPPON ENCL.TECN DE</a> <a href="#">Assembly guidelines - empty enclosures</a>



**Klippon K (aluminium empty enclosure)  
KLIPPON K31**

**Weidmüller Interface GmbH & Co. KG**  
Klingenbergstraße 26  
D-32758 Detmold  
Germany  
Fon: +49 5231 14-0  
Fax: +49 5231 14-292083  
[www.weidmueller.com](http://www.weidmueller.com)

**Drawings****Dimensioned drawing**

**Klippon K (aluminium empty enclosure)  
KLIPPON K31**

**Weidmüller Interface GmbH & Co. KG**  
 Klingenbergstraße 26  
 D-32758 Detmold  
 Germany  
 Fon: +49 5231 14-0  
 Fax: +49 5231 14-292083  
 www.weidmueller.com

**Accessories**
**Klippon® K - Mounting plates**


The Klippon® brand has long stood for competence and quality in housings – particularly when turnkey, customer-specific solutions for standard industrial applications and applications in explosive risk zones are concerned. Improved products that meet all application requirements: this was Weidmüller's aim when modernising and upgrading the Klippon® K enclosure series. No matter what kind of application the customer is planning; Weidmüller is able to provide a wide range of aluminium enclosures precisely fitting the customer's requirements.

**General ordering data**

Type	MOPL K31 STAHL	Version
Order No.	<a href="#">3073040000</a>	Klippon K (aluminium empty enclosure), Mounting plate, Mounting
GTIN (EAN)	4008190857974	plate, Height: 67 mm, Width: 164 mm, Depth: 2 mm, Material: Sheet
Qty.	1 pc(s).	steel, galvanized, galvanized, silver

**Klippon® K - Hinge**


The Klippon® brand has long stood for competence and quality in housings – particularly when turnkey, customer-specific solutions for standard industrial applications and applications in explosive risk zones are concerned. Improved products that meet all application requirements: this was Weidmüller's aim when modernising and upgrading the Klippon® K enclosure series. No matter what kind of application the customer is planning; Weidmüller is able to provide a wide range of aluminium enclosures precisely fitting the customer's requirements.

**General ordering data**

Type	HG K+POK	Version
Order No.	<a href="#">1580360000</a>	Klippon POK (polyester empty enclosure), External joint, Hinge, silver
GTIN (EAN)	4008190203542	
Qty.	1 pc(s).	

**Klippon K (aluminium empty enclosure)  
KLIPPON K31**

**Weidmüller Interface GmbH & Co. KG**  
 Klingenbergstraße 26  
 D-32758 Detmold  
 Germany  
 Fon: +49 5231 14-0  
 Fax: +49 5231 14-292083  
 www.weidmueller.com

**Accessories**
**Spacer**


For many years, the name Klippon® has stood for competence and quality in enclosures. The Klippon® EBi industrial enclosure series protects your components reliably if they are used in moderate environmental conditions and is designed for everyday applications. With the ever-increasing need for individual application solutions, the Klippon® EBi with its high degree of protection and impact resistance is ideally suited to your needs. Our standard product is the Klippon® EBi QL – with hinged door and double-bit key lock. A variant with mounting screws is also available, but is only manufactured on request and is subject to a minimum order quantity. DNV GL and cULus approvals are also available on request.

**General ordering data**

Type	SP M6 20 MSZN	Version
Order No.	<a href="#">3896200000</a>	Klippon EBi (Essential Box industrial), Spacer, silver
GTIN (EAN)	4008190850234	
Qty.	2 pc(s).	
Type	SP M6 15 MSZN	Version
Order No.	<a href="#">3896100000</a>	Klippon EBi (Essential Box industrial), Spacer, silver
GTIN (EAN)	4008190857851	
Qty.	2 pc(s).	
Type	SP M6 30 MSZN	Version
Order No.	<a href="#">3896300000</a>	Klippon EBi (Essential Box industrial), Spacer, silver
GTIN (EAN)	4008190850241	
Qty.	2 pc(s).	

**TS 15**


The Klippon® brand has long stood for competence and quality in housings – particularly when turnkey, customer-specific solutions for standard industrial applications and applications in explosive risk zones are concerned. Improved products that meet all application requirements: this was Weidmüller's aim when modernising and upgrading the Klippon® K enclosure series. No matter what kind of application the customer is planning; Weidmüller is able to provide a wide range of aluminium enclosures precisely fitting the customer's requirements.

**General ordering data**

Type	TS15X5 ST K31	Version
Order No.	<a href="#">8000003887</a>	Rail, TS 15, Length: 164 mm, without slot, Steel, galvanized, chromium-plated
GTIN (EAN)	4050118652529	
Qty.	20 pc(s).	

**Klippon K (aluminium empty enclosure)  
KLIPPON K31**

**Weidmüller Interface GmbH & Co. KG**  
Klingenbergstraße 26  
D-32758 Detmold  
Germany  
Fon: +49 5231 14-0  
Fax: +49 5231 14-292083  
www.weidmueller.com

**Accessories**

**TS 35**



The Klippon® brand has long stood for competence and quality in housings – particularly when turnkey, customer-specific solutions for standard industrial applications and applications in explosive risk zones are concerned. Improved products that meet all application requirements: this was Weidmüller's aim when modernising and upgrading the Klippon® K enclosure series. No matter what kind of application the customer is planning; Weidmüller is able to provide a wide range of aluminium enclosures precisely fitting the customer's requirements.

**General ordering data**

		Version
Type	TS35X7.5 ST K31	
Order No.	<a href="#">8000003898</a>	Rail, TS 35, TS 35 x 7.5, Length: 164 mm, without slot, Steel,
GTIN (EAN)	4050118652604	galvanized, chromium-plated
Qty.	20 pc(s).	