

KLIPPON K2 2M20AB CSS

Weidmüller Interface GmbH & Co. KG

Klingenbergstraße 26

D-32758 Detmold

Germany

Fon: +49 5231 14-0

Fax: +49 5231 14-292083

www.weidmueller.com



The Klippon® brand has long stood for competence and quality in housings, particularly when customer solutions for standard industrial applications and applications in explosive risk zones are concerned.

Weidmüller meets these requirements with its range of steel sheet enclosures in the new Klippon® TB series, available in Multi-Hinge (MH) and Quarter-Lock (QL) versions, the Klippon® STB series and the aluminium enclosures of the Klippon® K series.

The portfolio is rounded off with the polyester enclosures of the Klippon® POK series and the polycarbonate enclosures.

Irrespective of which application users are planning, Weidmüller offers numerous precisely fitting housing solutions and individual services: turnkey enclosures with customer-specific configurations such as terminal rails, drilled holes, cable glands, cutouts, special coatings and much more besides.

General ordering data

| | |
|-------------------|--|
| Type | KLIPPON K2 2M20AB CSS |
| Order No. | 8000004151 |
| Version | Housing with threaded hole, Aluminium AISi12, Drill holes side A: 2 x M20x1.5, Drill holes side B: 2 x M20x1.5 |
| GTIN (EAN) | 4032248986217 |
| Qty. | 1 pc(s). |
| Reference product | 0342100000 |

KLIPPON K2 2M20AB CSS

Weidmüller Interface GmbH & Co. KG
 Klingenbergstraße 26
 D-32758 Detmold
 Germany
 Fon: +49 5231 14-0
 Fax: +49 5231 14-292083
 www.weidmueller.com

Technical data**Dimensions and weights**

| | |
|------------|-------|
| Net weight | 307 g |
|------------|-------|

Environmental Product Compliance

| | |
|------------|----------------|
| REACH SVHC | Lead 7439-92-1 |
|------------|----------------|

Housing

| | | | |
|--------------------|------------------|--------------------|-------------|
| Drill holes side A | 2 x M20x1.5 | Drill holes side B | 2 x M20x1.5 |
| Material | Aluminium AlSi12 | | |

Classifications

| | | | |
|-------------|-------------|------------|-------------|
| ETIM 6.0 | EC000261 | ETIM 7.0 | EC000261 |
| eClass 9.0 | 27-18-01-01 | eClass 9.1 | 27-18-92-90 |
| eClass 10.0 | 27-18-01-01 | | |

Approvals

Approvals



| | |
|------|---------|
| ROHS | Conform |
|------|---------|

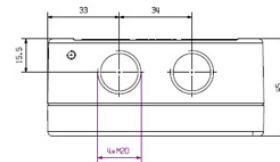
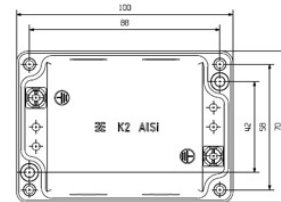
Downloads

| | |
|--------------------|-------------------------------------|
| Brochure/Catalogue | CAT 5 ENCL 17/18 EN |
| PDF (3D) | 8000004151.pdf |

KLIPPON K2 2M20AB CSS

Weidmüller Interface GmbH & Co. KG
Klingenbergstraße 26
D-32758 Detmold
Germany
Fon: +49 5231 14-0
Fax: +49 5231 14-292083
www.weidmueller.com

Drawings



KLIPPON K2 2M20AB CSS

Weidmüller Interface GmbH & Co. KG
 Klingenbergstraße 26
 D-32758 Detmold
 Germany
 Fon: +49 5231 14-0
 Fax: +49 5231 14-292083
 www.weidmueller.com

Accessories
KSG BN O NI - nickel-plated version with neoprene seal


The KSG is only intended for use when connecting non-armoured cables and lines. When the cable gland is ordered together with a neoprene seal, the seal allows temperatures from -20°C to +85°C. When using a silicone seal, a temperature range of -60°C to +180°C is possible. The O-ring and the cable gland included in the delivery are made from the same material. IP66 or IP68 protection at a depth of 25 metres under water (a pressure of 2.5 bar) is guaranteed when using this sealing material. The KSG is permitted for use with pressure-resistant Ex d encapsulations and increased safety Ex e.

General ordering data

| | | |
|------------|----------------------------|---|
| Type | KSG M20 BN O NI 2 G20 | Version |
| Order No. | 1911560000 | KSG (Klippon standard Ex cable gland), Cable glands, M 20, 16 mm, |
| GTIN (EAN) | 4032248539604 | OD min. 9.6 - OD max. 14 mm, IP66, IP68 - 2.5 bar, Brass, nickel- |
| Qty. | 20 pc(s). | plated |

Plastic blanking plugs Ex e/i 7 Joule


For sealing surplus threaded holes to maintain the IP class of protection

General ordering data

| | | |
|------------|----------------------------|--|
| Type | VP M20 EX SI 7J | Version |
| Order No. | 2066730000 | VPK EX 7J (Ex blanking plug, plastic, 7J), Blanking plug, M 20, 11 |
| GTIN (EAN) | 4050118415346 | mm, IP54, IP66, IP67, IP68 - 5 bar (30 min.), Polyamide 6 |
| Qty. | 100 pc(s). | |

KLIPPON K2 2M20AB CSS

Weidmüller Interface GmbH & Co. KG
 Klingenbergstraße 26
 D-32758 Detmold
 Germany
 Fon: +49 5231 14-0
 Fax: +49 5231 14-292083
 www.weidmueller.com

Accessories

External thread M20



The range of cable glands is rounded off by a large number of accessories.

Adaptors serve as connection pieces between threaded holes and cable glands with differing thread sizes and types.

General ordering data

| General ordering data | | Version |
|-----------------------|----------------------------|---|
| Type | ADAP EX M20-M16 | |
| Order No. | 1737560000 | ADAP (adaptor, extensions and reductions), Adapter, M 20 ,M 16, |
| GTIN (EAN) | 4008190957599 | IP54, Brass, nickel-plated |
| Qty. | 1 pc(s). | |

**Klippon K (aluminium empty enclosure)
KLIPPON K2**

Weidmüller Interface GmbH & Co. KG
 Klingenbergstraße 26
 D-32758 Detmold
 Germany
 Fon: +49 5231 14-0
 Fax: +49 5231 14-292083
 www.weidmueller.com



The Klippon® brand has long stood for competence and quality in housings – particularly when turnkey, customer-specific solutions for standard industrial applications and applications in explosive risk zones are concerned.

Improved products that meet all application requirements: this was Weidmüller's aim when modernising and upgrading the Klippon® K enclosure series. No matter what kind of application the customer is planning; Weidmüller is able to provide a wide range of aluminium enclosures precisely fitting the customer's requirements.

- Available in two surface finishes: natural and powder-coated (RAL 7001)
- Available with moulded silicone or chloroprene gasket as standard
- Uniform Torx slotted screw head for 19 enclosure sizes
- Mounting holes outside of the gasket area
- High IP protection classes: IP66, IP67 and IP68
- Impact resistance of up to 7 (10) Joules
- The enclosures are approved according ATEX, IECEx, GOST Ex, GOST, cULus, Russian Maritime Register and Germanischer Lloyd as well as the empty enclosure standard.
- Alloy is resistant to salt water
- Standardised distributor enclosures with threaded holes and a variety of terminal configurations

General ordering data

| | |
|------------|--|
| Type | KLIPPON K2 |
| Order No. | 0342 100000 |
| Version | Klippon K (aluminium empty enclosure), Empty enclosure, Aluminium enclosure, Height: 70 mm, Width: 100 mm, Depth: 45 mm, Material: Aluminium AlSi12, untreated, silver |
| GTIN (EAN) | 4008190104641 |
| Qty. | 10 pc(s). |

**Klippon K (aluminium empty enclosure)
KLIPPON K2**

Weidmüller Interface GmbH & Co. KG
 Klingenbergstraße 26
 D-32758 Detmold
 Germany
 Fon: +49 5231 14-0
 Fax: +49 5231 14-292083
 www.weidmueller.com

Technical data**Dimensions and weights**

| | | | |
|----------------------------|--------|-----------------------------|------------|
| Width | 100 mm | Width (inches) | 3.937 inch |
| Height | 70 mm | Height (inches) | 2.756 inch |
| Depth | 45 mm | Depth (inches) | 1.772 inch |
| Mounting dimension - width | 88 mm | Mounting dimension - height | 42 mm |
| Weight | 280 g | Net weight | 310.2 g |

Environmental Product Compliance

REACH SVHC Lead 7439-92-1

Cable glands, left

| | | | |
|-----|---|-----|---|
| M12 | 1 | M16 | 1 |
|-----|---|-----|---|

Cable glands, right

| | | | |
|-----|---|-----|---|
| M12 | 1 | M16 | 1 |
|-----|---|-----|---|

Cable glands, top/bottom

| | | | |
|-----|---|-----|---|
| M12 | 3 | M16 | 3 |
| M20 | 2 | | |

Certificate numbers enclosure

| | | | |
|-----------------------------|------------|----------------------------|--------------|
| Certificate No. (GERMLLOYD) | TAE00002SM | Certificate No. (MARITREG) | 19.00108.272 |
| Certificate no. (cULus) | E197061 | | |

General information

| | | | |
|-----------------------------|--|---------------------------------|-------------------|
| Areas of use | Process industry, Transportation, Marine engineering, Packaging industry, Harbour facilities, Machine construction | Material thickness | 3.5 mm |
| Material thickness of cover | 3 mm | Material thickness of enclosure | 3.5 mm |
| Torque for lid screws | 2.5 Nm | Material | Aluminium AlSi12 |
| Seal material | Chloroprene | Surface finish | untreated |
| Operating temperature, min. | -40 °C | Operating temperature, max. | 80 °C |
| Impact resistance | 10.00 J | Protection degree | IP66, IP67, IP68 |
| Note: protection class | IP68 (t=72h, h=1m) | Enclosure attachment | Holes 4 mm |
| Lid attachment | M4 torx stainless steel screws with slot | Integral fixing | Threaded holes M4 |

horizontal assembly

| | |
|-----------------------------|------|
| WDU 2,5 / ZDU 2,5 / IDU 2,5 | 1x10 |
|-----------------------------|------|

vertical assembly

| | | | |
|-----------------------------|---|---------------|---|
| WDU 2,5 / ZDU 2,5 / IDU 2,5 | * | WDU 4 / ZDU 4 | * |
|-----------------------------|---|---------------|---|

**Klippon K (aluminium empty enclosure)
KLIPPON K2**

Weidmüller Interface GmbH & Co. KG
Klingenbergstraße 26
D-32758 Detmold
Germany
Fon: +49 5231 14-0
Fax: +49 5231 14-292083
www.weidmueller.com

Technical data

Classifications

| | | | |
|-------------|-------------|------------|-------------|
| ETIM 6.0 | EC000261 | ETIM 7.0 | EC000261 |
| eClass 9.0 | 27-18-01-01 | eClass 9.1 | 27-18-92-90 |
| eClass 10.0 | 27-18-01-01 | UNSPSC | 31-26-15-02 |

Approvals

Approvals



ROHS Conform

Downloads

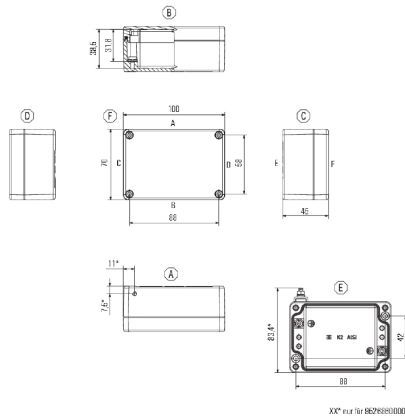
| | |
|---|--|
| Approval/Certificate/Document of Conformity | EU Declaration of Conformity - Klippon K Empty Enclosures - DoC DE PS2410_160412_001ISS01 |
| Brochure/Catalogue | MB KLIPPON ENCL.TECN EN CAT 5 ENCL 17/18 EN FL RAILWAY 2014 EN |
| Engineering Data | EPLAN_WSCAD |
| Engineering Data | STEP |
| Tender specification | Klippon K2_0342100000_DE Klippon K2_0342100000_EN |
| User Documentation | MB KLIPPON ENCL.TECN DE Assembly guidelines - empty enclosures |

**Klippon K (aluminium empty enclosure)
KLIPPON K2**

Weidmüller Interface GmbH & Co. KG
Klingenbergstraße 26
D-32758 Detmold
Germany
Fon: +49 5231 14-0
Fax: +49 5231 14-292083
www.weidmueller.com

Drawings

Dimensioned drawing



**Klippon K (aluminium empty enclosure)
KLIPPON K2**

Weidmüller Interface GmbH & Co. KG
Klingenbergstraße 26
D-32758 Detmold
Germany
Fon: +49 5231 14-0
Fax: +49 5231 14-292083
www.weidmueller.com

Accessories

Klippon® K - Mounting plates



The Klippon® brand has long stood for competence and quality in housings – particularly when turnkey, customer-specific solutions for standard industrial applications and applications in explosive risk zones are concerned. Improved products that meet all application requirements: this was Weidmüller's aim when modernising and upgrading the Klippon® K enclosure series. No matter what kind of application the customer is planning; Weidmüller is able to provide a wide range of aluminium enclosures precisely fitting the customer's requirements.

General ordering data

| | | |
|------------|----------------------------|--|
| Type | MOPL K2 N FE | Version |
| Order No. | 1905270000 | Klippon K (aluminium empty enclosure), Mounting plate, Mounting |
| GTIN (EAN) | 4032248524433 | plate, Height: 52 mm, Width: 91 mm, Depth: 3 mm, Material: Sheet |
| Qty. | 1 pc(s). | steel, galvanized, galvanized, silver |

TS 15



The Klippon® brand has long stood for competence and quality in housings – particularly when turnkey, customer-specific solutions for standard industrial applications and applications in explosive risk zones are concerned. Improved products that meet all application requirements: this was Weidmüller's aim when modernising and upgrading the Klippon® K enclosure series. No matter what kind of application the customer is planning; Weidmüller is able to provide a wide range of aluminium enclosures precisely fitting the customer's requirements.

General ordering data

| | | |
|------------|----------------------------|--|
| Type | TS15X5 ST K2 | Version |
| Order No. | 8000003884 | Rail, TS 15, Length: 90 mm, without slot, Steel, galvanized, chromium- |
| GTIN (EAN) | 4050118652505 | plated |
| Qty. | 20 pc(s). | |