

KLIPPON K1 1M20AB CSS

Weidmüller Interface GmbH & Co. KG

Klingenbergstraße 26

D-32758 Detmold

Germany

Fon: +49 5231 14-0

Fax: +49 5231 14-292083

www.weidmueller.com



The Klippon® brand has long stood for competence and quality in housings, particularly when customer solutions for standard industrial applications and applications in explosive risk zones are concerned.

Weidmüller meets these requirements with its range of steel sheet enclosures in the new Klippon® TB series, available in Multi-Hinge (MH) and Quarter-Lock (QL) versions, the Klippon® STB series and the aluminium enclosures of the Klippon® K series.

The portfolio is rounded off with the polyester enclosures of the Klippon® POK series and the polycarbonate enclosures.

Irrespective of which application users are planning, Weidmüller offers numerous precisely fitting housing solutions and individual services: turnkey enclosures with customer-specific configurations such as terminal rails, drilled holes, cable glands, cutouts, special coatings and much more besides.

General ordering data

Type	KLIPPON K1 1M20AB CSS
Order No.	8000004148
Version	Housing with threaded hole, Aluminium AISi12, Drill holes side A: 1 x M20x1.5, Drill holes side B: 1 x M20x1.5
GTIN (EAN)	4032248986163
Qty.	1 pc(s).
Reference product	0342000000

KLIPPON K1 1M20AB CSS

Weidmüller Interface GmbH & Co. KG
 Klingenbergstraße 26
 D-32758 Detmold
 Germany
 Fon: +49 5231 14-0
 Fax: +49 5231 14-292083
 www.weidmueller.com

Technical data**Dimensions and weights**

Net weight	237 g
------------	-------

Environmental Product Compliance

REACH SVHC	Lead 7439-92-1
------------	----------------

Housing

Drill holes side A	1 x M20x1.5	Drill holes side B	1 x M20x1.5
Material	Aluminium AlSi12		

Classifications

ETIM 6.0	EC000261	ETIM 7.0	EC000261
eClass 9.0	27-18-01-01	eClass 9.1	27-18-92-90
eClass 10.0	27-18-01-01		

Approvals

Approvals



ROHS	Conform
------	---------

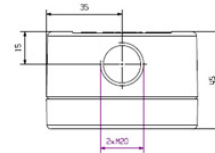
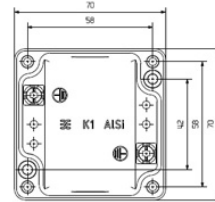
Downloads

Brochure/Catalogue	CAT 5 ENCL 17/18 EN
PDF (3D)	8000004148.pdf

KLIPPON K1 1M20AB CSS

Weidmüller Interface GmbH & Co. KG
Klingenbergstraße 26
D-32758 Detmold
Germany
Fon: +49 5231 14-0
Fax: +49 5231 14-292083
www.weidmueller.com

Drawings



KLIPPON K1 1M20AB CSS

Weidmüller Interface GmbH & Co. KG
 Klingenbergstraße 26
 D-32758 Detmold
 Germany
 Fon: +49 5231 14-0
 Fax: +49 5231 14-292083
 www.weidmueller.com

Accessories
KSG BN O NI - nickel-plated version with neoprene seal


The KSG is only intended for use when connecting non-armoured cables and lines. When the cable gland is ordered together with a neoprene seal, the seal allows temperatures from -20°C to +85°C. When using a silicone seal, a temperature range of -60°C to +180°C is possible. The O-ring and the cable gland included in the delivery are made from the same material. IP66 or IP68 protection at a depth of 25 metres under water (a pressure of 2.5 bar) is guaranteed when using this sealing material. The KSG is permitted for use with pressure-resistant Ex d encapsulations and increased safety Ex e.

General ordering data

Type	KSG M20 BN O NI 2 G20	Version
Order No.	1911560000	KSG (Klippon standard Ex cable gland), Cable glands, M 20, 16 mm,
GTIN (EAN)	4032248539604	OD min. 9.6 - OD max. 14 mm, IP66, IP68 - 2.5 bar, Brass, nickel-
Qty.	20 pc(s).	plated

Plastic blanking plugs Ex e/i 7 Joule


For sealing surplus threaded holes to maintain the IP class of protection

General ordering data

Type	VP M20 EX SI 7J	Version
Order No.	2066730000	VPK EX 7J (Ex blanking plug, plastic, 7J), Blanking plug, M 20, 11
GTIN (EAN)	4050118415346	mm, IP54, IP66, IP67, IP68 - 5 bar (30 min.), Polyamide 6
Qty.	100 pc(s).	

KLIPPON K1 1M20AB CSS

Weidmüller Interface GmbH & Co. KG
 Klingenbergstraße 26
 D-32758 Detmold
 Germany
 Fon: +49 5231 14-0
 Fax: +49 5231 14-292083
 www.weidmueller.com

Accessories
Brass blanking plugs, Ex e


For sealing surplus threaded holes to maintain the IP class of protection

General ordering data

Type	VP M20 EXE MS	Version
Order No.	121090000	VPMS Ex (ex blanking plug, brass), Blanking plug, M 20, 12 mm.
GTIN (EAN)	4032248992263	Brass, nickel-plated
Qty.	50 pc(s).	

External thread M20


The range of cable glands is rounded off by a large number of accessories.

Adaptors serve as connection pieces between threaded holes and cable glands with differing thread sizes and types.

General ordering data

Type	ADAP EX M20-M16	Version
Order No.	173756000	ADAP (adaptor, extensions and reductions), Adapter, M 20 ,M 16,
GTIN (EAN)	4008190957599	IP54, Brass, nickel-plated
Qty.	1 pc(s).	

**Klippon K (aluminium empty enclosure)
KLIPPON K1**

Weidmüller Interface GmbH & Co. KG
 Klingenbergstraße 26
 D-32758 Detmold
 Germany
 Fon: +49 5231 14-0
 Fax: +49 5231 14-292083
 www.weidmueller.com



The Klippon® brand has long stood for competence and quality in housings – particularly when turnkey, customer-specific solutions for standard industrial applications and applications in explosive risk zones are concerned.

Improved products that meet all application requirements: this was Weidmüller's aim when modernising and upgrading the Klippon® K enclosure series. No matter what kind of application the customer is planning; Weidmüller is able to provide a wide range of aluminium enclosures precisely fitting the customer's requirements.

- Available in two surface finishes: natural and powder-coated (RAL 7001)
- Available with moulded silicone or chloroprene gasket as standard
- Uniform Torx slotted screw head for 19 enclosure sizes
- Mounting holes outside of the gasket area
- High IP protection classes: IP66, IP67 and IP68
- Impact resistance of up to 7 (10) Joules
- The enclosures are approved according ATEX, IECEx, GOST Ex, GOST, cULus, Russian Maritime Register and Germanischer Lloyd as well as the empty enclosure standard.
- Alloy is resistant to salt water
- Standardised distributor enclosures with threaded holes and a variety of terminal configurations

General ordering data

Type	KLIPPON K1
Order No.	0342000000
Version	Klippon K (aluminium empty enclosure), Empty enclosure, Aluminium enclosure, Height: 70 mm, Width: 70 mm, Depth: 45 mm, Material: Aluminium AlSi12, untreated, silver
GTIN (EAN)	4008190055448
Qty.	10 pc(s).

**Klippon K (aluminium empty enclosure)
KLIPPON K1**

Weidmüller Interface GmbH & Co. KG
 Klingenbergstraße 26
 D-32758 Detmold
 Germany
 Fon: +49 5231 14-0
 Fax: +49 5231 14-292083
 www.weidmueller.com

Technical data**Dimensions and weights**

Width	70 mm	Width (inches)	2.756 inch
Height	70 mm	Height (inches)	2.756 inch
Depth	45 mm	Depth (inches)	1.772 inch
Mounting dimension - width	58 mm	Mounting dimension - height	42 mm
Weight	220 g	Net weight	247.5 g

Environmental Product Compliance

REACH SVHC Lead 7439-92-1

Cable glands, left

M12	1	M16	1
-----	---	-----	---

Cable glands, right

M12	1	M16	1
-----	---	-----	---

Cable glands, top/bottom

M12	2	M16	2
M20	1		

Certificate numbers enclosure

Certificate No. (GERMLLOYD)	TAE00002SM	Certificate No. (MARITREG)	19.00108.272
Certificate no. (cULus)	E197061		

General information

Areas of use	Process industry, Transportation, Marine engineering, Packaging industry, Harbour facilities, Machine construction	Material thickness	3.5 mm
Material thickness of cover	3 mm	Material thickness of enclosure	3.5 mm
Torque for lid screws	2.5 Nm	Material	Aluminium AlSi12
Seal material	Chloroprene	Surface finish	untreated
Operating temperature, min.	-40 °C	Operating temperature, max.	80 °C
Impact resistance	10.00 J	Protection degree	IP66, IP67, IP68
Note: protection class	IP68 (t=72h, h=1m)	Enclosure attachment	Holes 4 mm
Lid attachment	M4 torx stainless steel screws with slot	Integral fixing	Threaded holes M4

horizontal assembly

WDU 2,5 / ZDU 2,5 / IDU 2,5	1x5	WDU 4 / ZDU 4	1x1*
-----------------------------	-----	---------------	------

vertical assembly

WDU 2,5 / ZDU 2,5 / IDU 2,5	1x1*	WDU 4 / ZDU 4	1x1*
-----------------------------	------	---------------	------

**Klippon K (aluminium empty enclosure)
KLIPPON K1**

Weidmüller Interface GmbH & Co. KG
Klingenbergstraße 26
D-32758 Detmold
Germany
Fon: +49 5231 14-0
Fax: +49 5231 14-292083
www.weidmueller.com

Technical data

Classifications

ETIM 6.0	EC000261	ETIM 7.0	EC000261
eClass 9.0	27-18-01-01	eClass 9.1	27-18-92-90
eClass 10.0	27-18-01-01	UNSPSC	31-26-15-02

Approvals

Approvals



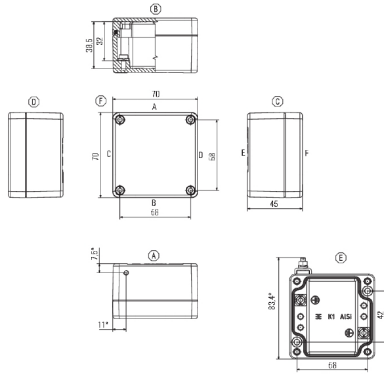
ROHS Conform

Downloads

Approval/Certificate/Document of Conformity	EU Declaration of Conformity - Klippon K Empty Enclosures - DoC DE PS2410_160412_001ISS01
Brochure/Catalogue	MB KLIPPON ENCL.TECN EN CAT 5 ENCL 17/18 EN FL RAILWAY 2014 EN
Engineering Data	EPLAN_WSCAD
Engineering Data	STEP
Tender specification	Klippon K1_0342000000_DE Klippon K1_0342000000_EN
User Documentation	MB KLIPPON ENCL.TECN DE Assembly guidelines - empty enclosures

**Klippon K (aluminium empty enclosure)
KLIPPON K1**

Weidmüller Interface GmbH & Co. KG
Klingenbergstraße 26
D-32758 Detmold
Germany
Fon: +49 5231 14-0
Fax: +49 5231 14-292083
www.weidmueller.com

Drawings**Dimensioned drawing**

XX* nur für 6E28940000

**Klippon K (aluminium empty enclosure)
KLIPPON K1**

Weidmüller Interface GmbH & Co. KG
 Klingenbergstraße 26
 D-32758 Detmold
 Germany
 Fon: +49 5231 14-0
 Fax: +49 5231 14-292083
 www.weidmueller.com

Accessories
Klippon® K - Mounting plates


The Klippon® brand has long stood for competence and quality in housings – particularly when turnkey, customer-specific solutions for standard industrial applications and applications in explosive risk zones are concerned. Improved products that meet all application requirements: this was Weidmüller's aim when modernising and upgrading the Klippon® K enclosure series. No matter what kind of application the customer is planning; Weidmüller is able to provide a wide range of aluminium enclosures precisely fitting the customer's requirements.

General ordering data

Type	MOPL K1 N FE	Version
Order No.	1905280000	Klippon K (aluminium empty enclosure), Mounting plate, Mounting
GTIN (EAN)	4032248524426	plate, Height: 52 mm, Width: 61 mm, Depth: 3 mm, Material: Sheet
Qty.	1 pc(s).	steel, galvanized, galvanized, silver

TS 15


The Klippon® brand has long stood for competence and quality in housings – particularly when turnkey, customer-specific solutions for standard industrial applications and applications in explosive risk zones are concerned. Improved products that meet all application requirements: this was Weidmüller's aim when modernising and upgrading the Klippon® K enclosure series. No matter what kind of application the customer is planning; Weidmüller is able to provide a wide range of aluminium enclosures precisely fitting the customer's requirements.

General ordering data

Type	TS15X5 ST K1	Version
Order No.	8000003883	Rail, TS 15, Length: 60 mm, without slot, Steel, galvanized, chromium-
GTIN (EAN)	4050118653328	plated
Qty.	20 pc(s).	