

KLIPPON K41 2M25AB CSS

Weidmüller Interface GmbH & Co. KG

Klingenbergstraße 26

D-32758 Detmold

Germany

Fon: +49 5231 14-0

Fax: +49 5231 14-292083

www.weidmueller.com



The Klippon® brand has long stood for competence and quality in housings, particularly when customer solutions for standard industrial applications and applications in explosive risk zones are concerned.

Weidmüller meets these requirements with its range of steel sheet enclosures in the new Klippon® TB series, available in Multi-Hinge (MH) and Quarter-Lock (QL) versions, the Klippon® STB series and the aluminium enclosures of the Klippon® K series.

The portfolio is rounded off with the polyester enclosures of the Klippon® POK series and the polycarbonate enclosures.

Irrespective of which application users are planning, Weidmüller offers numerous precisely fitting housing solutions and individual services: turnkey enclosures with customer-specific configurations such as terminal rails, drilled holes, cable glands, cutouts, special coatings and much more besides.

General ordering data

Type	KLIPPON K41 2M25AB CSS
Order No.	8000003446
Version	Housing with threaded hole, Aluminium AISi12, Drill holes side A: 2 x M25x1.5, Drill holes side B: 2 x M25x1.5
GTIN (EAN)	4032248986224
Qty.	1 pc(s).
Reference product	1565270000

KLIPPON K41 2M25AB CSS

Weidmüller Interface GmbH & Co. KG
 Klingenbergstraße 26
 D-32758 Detmold
 Germany
 Fon: +49 5231 14-0
 Fax: +49 5231 14-292083
 www.weidmueller.com

Technical data**Dimensions and weights**

Net weight	955 g
------------	-------

Environmental Product Compliance

REACH SVHC	Lead 7439-92-1
------------	----------------

Housing

Drill holes side A	2 x M25x1.5	Drill holes side B	2 x M25x1.5
Material	Aluminium AlSi12		

Classifications

ETIM 6.0	EC000261	ETIM 7.0	EC000261
eClass 9.0	27-18-01-01	eClass 9.1	27-18-92-90
eClass 10.0	27-18-01-01		

Approvals

Approvals



ROHS	Conform
------	---------

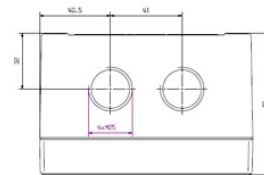
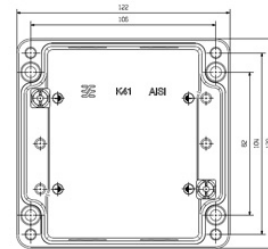
Downloads

Brochure/Catalogue	CAT 5 ENCL 17/18 EN
PDF (3D)	8000003446.pdf

KLIPPON K41 2M25AB CSS

Weidmüller Interface GmbH & Co. KG
Klingenbergstraße 26
D-32758 Detmold
Germany
Fon: +49 5231 14-0
Fax: +49 5231 14-292083
www.weidmueller.com

Drawings



KLIPPON K41 2M25AB CSS

Weidmüller Interface GmbH & Co. KG
 Klingenbergstraße 26
 D-32758 Detmold
 Germany
 Fon: +49 5231 14-0
 Fax: +49 5231 14-292083
 www.weidmueller.com

Accessories
KSG BN O NI - nickel-plated version with neoprene seal


The KSG is only intended for use when connecting non-armoured cables and lines. When the cable gland is ordered together with a neoprene seal, the seal allows temperatures from -20°C to +85°C. When using a silicone seal, a temperature range of -60°C to +180°C is possible. The O-ring and the cable gland included in the delivery are made from the same material. IP66 or IP68 protection at a depth of 25 metres under water (a pressure of 2.5 bar) is guaranteed when using this sealing material. The KSG is permitted for use with pressure-resistant Ex d encapsulations and increased safety Ex e.

General ordering data

Type	KSG M25 BN O NI 2 G25	Version
Order No.	1911570000	KSG (Klippon standard Ex cable gland), Cable glands, M 25, 16 mm,
GTIN (EAN)	4032248539710	OD min. 13.5 - OD max. 20 mm, IP66, IP68 - 2.5 bar, Brass, nickel-
Qty.	20 pc(s).	plated

Plastic blanking plugs Ex e/i 7 Joule


For sealing surplus threaded holes to maintain the IP class of protection

General ordering data

Type	VP M25 EX SI 7J	Version
Order No.	2066740000	VPK EX 7J (Ex blanking plug, plastic, 7J), Blanking plug, M 25, 10
GTIN (EAN)	4050118415360	mm, IP54, IP66, IP67, IP68 - 5 bar (30 min.), Polyamide 6
Qty.	100 pc(s).	

KLIPPON K41 2M25AB CSS

Weidmüller Interface GmbH & Co. KG
 Klingenbergstraße 26
 D-32758 Detmold
 Germany
 Fon: +49 5231 14-0
 Fax: +49 5231 14-292083
 www.weidmueller.com

Accessories

External thread M25



The range of cable glands is rounded off by a large number of accessories.

Adaptors serve as connection pieces between threaded holes and cable glands with differing thread sizes and types.

General ordering data

Type	ADAP EX M25-M16	Version
Order No.	1737550000	ADAP (adaptor, extensions and reductions), Adapter, M 25 ,M 16,
GTIN (EAN)	4008190957582	IP54, Brass, nickel-plated
Qty.	1 pc(s).	
Type	ADAP EX M25-M20	Version
Order No.	1737710000	ADAP (adaptor, extensions and reductions), Adapter, M 25 ,M 20,
GTIN (EAN)	4008190957735	IP54, Brass, nickel-plated
Qty.	1 pc(s).	

Klippon K (aluminium empty enclosure) KLIPPON K41

Weidmüller Interface GmbH & Co. KG
Klingenbergstraße 26
D-32758 Detmold
Germany
Fon: +49 5231 14-0
Fax: +49 5231 14-292083
www.weidmueller.com



The Klippon® brand has long stood for competence and quality in housings – particularly when turnkey, customer-specific solutions for standard industrial applications and applications in explosive risk zones are concerned.

Improved products that meet all application requirements: this was Weidmüller's aim when modernising and upgrading the Klippon® K enclosure series. No matter what kind of application the customer is planning; Weidmüller is able to provide a wide range of aluminium enclosures precisely fitting the customer's requirements.

- Available in two surface finishes: natural and powder-coated (RAL 7001)
- Available with moulded silicone or chloroprene gasket as standard
- Uniform Torx slotted screw head for 19 enclosure sizes
- Mounting holes outside of the gasket area
- High IP protection classes: IP66, IP67 and IP68
- Impact resistance of up to 7 (10) Joules
- The enclosures are approved according ATEX, IECEx, GOST Ex, GOST, cULus, Russian Maritime Register and Germanischer Lloyd as well as the empty enclosure standard.
- Alloy is resistant to salt water
- Standardised distributor enclosures with threaded holes and a variety of terminal configurations

General ordering data

Type	KLIPPON K41
Order No.	1565270000
Version	Klippon K (aluminium empty enclosure), Empty enclosure, Aluminium enclosure, Height: 120 mm, Width: 122 mm, Depth: 81 mm, Material: Aluminium AlSi12, untreated, silver
GTIN (EAN)	4008190184636
Qty.	1 pc(s).

**Klippon K (aluminium empty enclosure)
KLIPPON K41**

Weidmüller Interface GmbH & Co. KG
 Klingenbergstraße 26
 D-32758 Detmold
 Germany
 Fon: +49 5231 14-0
 Fax: +49 5231 14-292083
 www.weidmueller.com

Technical data**Dimensions and weights**

Width	122 mm	Width (inches)	4.803 inch
Height	120 mm	Height (inches)	4.724 inch
Depth	81 mm	Depth (inches)	3.189 inch
Mounting dimension - width	106 mm	Mounting dimension - height	82 mm
Weight	840 g	Net weight	919 g

Environmental Product Compliance

REACH SVHC Lead 7439-92-1

Cable glands, left

M12	4	M16	4
M20	2	M25	1
M32	1		

Cable glands, right

M12	4	M16	4
M20	2	M25	1
M32	1		

Cable glands, top/bottom

M12	6	M16	6
M20	3	M25	2
M32	1		

Certificate numbers enclosure

Certificate No. (GERMLLOYD)	TAE00002SM	Certificate No. (MARITREG)	19.00108.272
Certificate no. (cULus)	E197061		

General information

Areas of use	Process industry, Transportation, Marine engineering, Packaging industry, Harbour facilities, Machine construction	Material thickness	4.5 mm
Material thickness of cover	4 mm	Material thickness of enclosure	4.5 mm
Torque for lid screws	2.5 Nm	Material	Aluminium AlSi12
Seal material	Chloroprene	Surface finish	untreated
Operating temperature, min.	-40 °C	Operating temperature, max.	80 °C
Impact resistance	10.00 J	Protection degree	IP66, IP67, IP68
Note: protection class	IP68 (t=72h, h=1m)	Enclosure attachment	Holes 6 mm
Lid attachment	M6 torx stainless steel screws with slot	Integral fixing	Threaded holes M5

horizontal assembly

WDU 10 / ZDU 10	1x6	WDU 2,5 / ZDU 2,5 / IDU 2,5	1x13
WDU 4 / ZDU 4	1x11	WDU 6 / ZDU 6	1x8

**Klippon K (aluminium empty enclosure)
KLIPPON K41**

Weidmüller Interface GmbH & Co. KG
Klingenbergstraße 26
D-32758 Detmold
Germany
Fon: +49 5231 14-0
Fax: +49 5231 14-292083
www.weidmueller.com

Technical data

vertical assembly

WDU 2,5 / ZDU 2,5 / IDU 2,5

*

WDU 4 / ZDU 4

*

Classifications

ETIM 6.0	EC000261	ETIM 7.0	EC000261
eClass 9.0	27-18-01-01	eClass 9.1	27-18-92-90
eClass 10.0	27-18-01-01	UNSPSC	31-26-15-02

Approvals

Approvals



ROHS Conform

Downloads

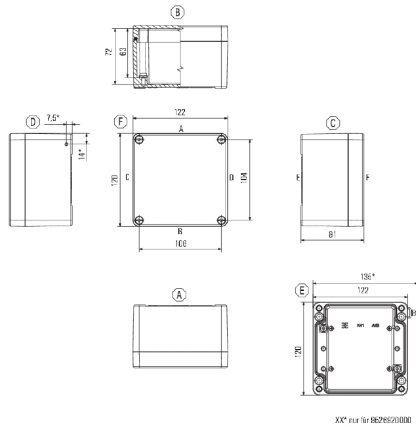
Approval/Certificate/Document of Conformity	EU Declaration of Conformity - Klippon K Empty Enclosures - DoC DE PS2410_160412_001ISS01
Brochure/Catalogue	MB KLIPPON ENCL.TECN EN CAT 5 ENCL 17/18 EN FL RAILWAY 2014 EN
Engineering Data	EPLAN_WSCAD
Engineering Data	STEP
Tender specification	Klippon K41_1565270000_DE Klippon K41_1565270000_EN
User Documentation	MB KLIPPON ENCL.TECN DE Assembly guidelines - empty enclosures

**Klippon K (aluminium empty enclosure)
KLIPPON K41**

Weidmüller Interface GmbH & Co. KG
 Klingenbergstraße 26
 D-32758 Detmold
 Germany
 Fon: +49 5231 14-0
 Fax: +49 5231 14-292083
 www.weidmueller.com

Drawings

Dimensioned drawing



**Klippon K (aluminium empty enclosure)
KLIPPON K41**

Weidmüller Interface GmbH & Co. KG
 Klingenbergstraße 26
 D-32758 Detmold
 Germany
 Fon: +49 5231 14-0
 Fax: +49 5231 14-292083
 www.weidmueller.com

Accessories
Klippon® K - Mounting plates


The Klippon® brand has long stood for competence and quality in housings – particularly when turnkey, customer-specific solutions for standard industrial applications and applications in explosive risk zones are concerned. Improved products that meet all application requirements: this was Weidmüller's aim when modernising and upgrading the Klippon® K enclosure series. No matter what kind of application the customer is planning; Weidmüller is able to provide a wide range of aluminium enclosures precisely fitting the customer's requirements.

General ordering data

Type	MOPL K41 STAHL	Version
Order No.	3073070000	Klippon K (aluminium empty enclosure), Mounting plate, Mounting
GTIN (EAN)	4008190858001	plate, Height: 104 mm, Width: 109 mm, Depth: 2 mm, Material: Sheet
Qty.	1 pc(s).	steel, galvanized, galvanized, silver

Klippon® K - Hinge


The Klippon® brand has long stood for competence and quality in housings – particularly when turnkey, customer-specific solutions for standard industrial applications and applications in explosive risk zones are concerned. Improved products that meet all application requirements: this was Weidmüller's aim when modernising and upgrading the Klippon® K enclosure series. No matter what kind of application the customer is planning; Weidmüller is able to provide a wide range of aluminium enclosures precisely fitting the customer's requirements.

General ordering data

Type	HG K+POK	Version
Order No.	1580360000	Klippon POK (polyester empty enclosure), External joint, Hinge, silver
GTIN (EAN)	4008190203542	
Qty.	1 pc(s).	

Klippon K (aluminium empty enclosure) KLIPPON K41

Weidmüller Interface GmbH & Co. KG
 Klingenbergstraße 26
 D-32758 Detmold
 Germany
 Fon: +49 5231 14-0
 Fax: +49 5231 14-292083
 www.weidmueller.com

Accessories

Screwing



Klippon® Connect with clamping yoke Technology

The high reliability and variety of designs of the terminal blocks with clamping yoke connections make planning easier and optimises operational safety. Klippon® Connect provides a proven response to a range of different requirements.

General ordering data

Type	FKSC M5X8 D9/SW2.5	Version
Order No.	029590000	SAK Series, Allen hex screw, Screws, Number of poles: 1
GTIN (EAN)	4008190133337	
Qty.	50 pc(s).	

Spacer



For many years, the name Klippon® has stood for competence and quality in enclosures. The Klippon® EBi industrial enclosure series protects your components reliably if they are used in moderate environmental conditions and is designed for everyday applications. With the ever-increasing need for individual application solutions, the Klippon® EBi with its high degree of protection and impact resistance is ideally suited to your needs. Our standard product is the Klippon® EBi QL – with hinged door and double-bit key lock. A variant with mounting screws is also available, but is only manufactured on request and is subject to a minimum order quantity. DNV GL and cULus approvals are also available on request.

General ordering data

Type	SP M6 20 MSZN	Version
Order No.	389620000	Klippon EBi (Essential Box industrial), Spacer, silver
GTIN (EAN)	4008190850234	
Qty.	2 pc(s).	
Type	SP M6 15 MSZN	Version
Order No.	389610000	Klippon EBi (Essential Box industrial), Spacer, silver
GTIN (EAN)	4008190857851	
Qty.	2 pc(s).	
Type	SP M6 30 MSZN	Version
Order No.	389630000	Klippon EBi (Essential Box industrial), Spacer, silver
GTIN (EAN)	4008190850241	
Qty.	2 pc(s).	

**Klippon K (aluminium empty enclosure)
KLIPPON K41**

Weidmüller Interface GmbH & Co. KG
Klingenbergstraße 26
D-32758 Detmold
Germany
Fon: +49 5231 14-0
Fax: +49 5231 14-292083
www.weidmueller.com

Accessories

TS 15

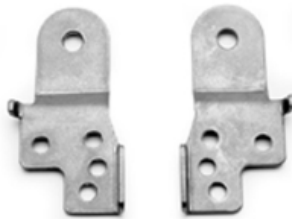


The Klippon® brand has long stood for competence and quality in housings – particularly when turnkey, customer-specific solutions for standard industrial applications and applications in explosive risk zones are concerned. Improved products that meet all application requirements: this was Weidmüller's aim when modernising and upgrading the Klippon® K enclosure series. No matter what kind of application the customer is planning; Weidmüller is able to provide a wide range of aluminium enclosures precisely fitting the customer's requirements.

General ordering data

Type	TS15X5 ST K41	Version
Order No.	8898030000	Rail, TS 15, Length: 106 mm, with slot, Steel, galvanized, chromium-plated
GTIN (EAN)	4032248648788	
Qty.	20 pc(s).	

Klippon® K - Wall-mounted holder



The Klippon® brand has long stood for competence and quality in housings – particularly when turnkey, customer-specific solutions for standard industrial applications and applications in explosive risk zones are concerned. Improved products that meet all application requirements: this was Weidmüller's aim when modernising and upgrading the Klippon® K enclosure series. No matter what kind of application the customer is planning; Weidmüller is able to provide a wide range of aluminium enclosures precisely fitting the customer's requirements.

General ordering data

Type	KLIPPON K MF KIT 25	Version
Order No.	9527590000	Klippon K (aluminium empty enclosure), Mounting foot, Fixing lugs,
GTIN (EAN)	4032248014071	Material: Stainless steel 1.4301, silver
Qty.	1 pc(s).	

**Klippon K (aluminium empty enclosure)
KLIPPON K41**

Weidmüller Interface GmbH & Co. KG
Klingenbergstraße 26
D-32758 Detmold
Germany
Fon: +49 5231 14-0
Fax: +49 5231 14-292083
www.weidmueller.com

Accessories

TS 35



The Klippon® brand has long stood for competence and quality in housings – particularly when turnkey, customer-specific solutions for standard industrial applications and applications in explosive risk zones are concerned. Improved products that meet all application requirements: this was Weidmüller's aim when modernising and upgrading the Klippon® K enclosure series. No matter what kind of application the customer is planning; Weidmüller is able to provide a wide range of aluminium enclosures precisely fitting the customer's requirements.

General ordering data

Type	TS35X7.5 ST K41	Version
Order No.	8000003439	Rail, TS 35, TS 35 x 7.5, Length: 105 mm, without slot, Steel,
GTIN (EAN)	4050118652628	galvanized, chromium-plated
Qty.	20 pc(s).	