

**D-SERIES DRI
SDI CLIP P**

Weidmüller Interface GmbH & Co. KG
Klingenbergstraße 26
D-32758 Detmold
Germany
Fon: +49 5231 14-0
Fax: +49 5231 14-292083
www.weidmueller.com

Product image

Accessories for D-SERIES relays include:

- Relay bases
- LED / Protective modules
- Metal retaining clips

General ordering data

Type	SDI CLIP P
Order No.	7760056389
Version	D-SERIES DRI, Retaining clip
GTIN (EAN)	6944 169787539
Qty.	10 pc(s).

Creation date May 1, 2020 2:02:37 PM CEST

Catalogue status 17.04.2020 / We reserve the right to make technical changes.

Data sheet

D-SERIES DRI SDI CLIP P

Weidmüller Interface GmbH & Co. KG
 Klingenbergstraße 26
 D-32758 Detmold
 Germany
 Fon: +49 5231 14-0
 Fax: +49 5231 14-292083
 www.weidmueller.com

Technical data

Dimensions and weights

Width	15.7 mm	Width (inches)	0.618 inch
Height	31 mm	Height (inches)	1.22 inch
Depth	39.6 mm	Depth (inches)	1.559 inch
Net weight	1.962 g		

General data

Version	with marker holder	Material	Plastic
---------	--------------------	----------	---------

Classifications

ETIM 6.0	EC002586	ETIM 7.0	EC002586
eClass 9.1	27-37-16-92	eClass 10.0	27-37-16-92

Approvals

ROHS	Conform
------	---------

Downloads

Engineering Data	STEP
------------------	----------------------

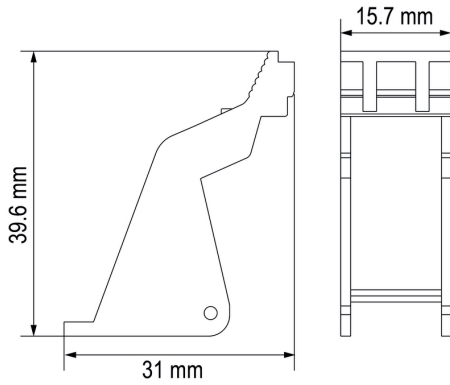
Data sheet

**D-SERIES DRI
SDI CLIP P**

Weidmüller Interface GmbH & Co. KG
 Klingenbergstraße 26
 D-32758 Detmold
 Germany
 Fon: +49 5231 14-0
 Fax: +49 5231 14-292083
 www.weidmueller.com

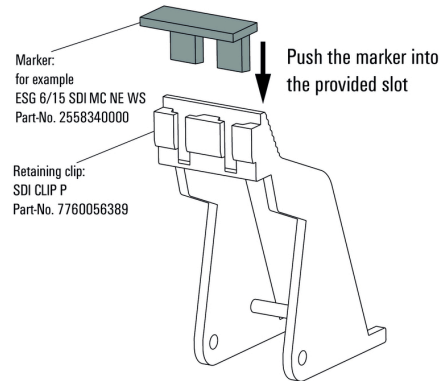
Drawings

Dimensional drawing



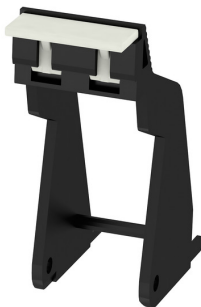
Example of use

**How to install marker
on retaining clip**



**How to install marker
on retaining clip**

Example of use



**D-SERIES DRI
SDI CLIP P**

Weidmüller Interface GmbH & Co. KG
 Klingenbergstraße 26
 D-32758 Detmold
 Germany
 Fon: +49 5231 14-0
 Fax: +49 5231 14-292083
 www.weidmueller.com

Accessories

MultiCard



The Weidmüller device markers enable users to conform to obligatory equipment labelling regulations. Users can label the device markers themselves by means of suitable software and system-compatible printer systems. ESG is the tried-and-tested marker in MultiCard format. The result is high-quality device marking with a high-contrast appearance.

ESG 6/15 SDI MC... for marking D-SERIES DRI relay sockets:

- Attachable MultiCard markers
- Depending on the relay socket it is attachable on up to 4 levels
- Additional option for attaching the marker on plastic retaining clip: SDI CLIP P
- PrintJet printable

General ordering data

Type	ESG 6/15 SDI MC SDR	Version	
Order No.	2558310000	ESG, Device markers x 15 mm, PA 66, Colour: To customer specification	
GTIN (EAN)	4050118569025		
Qty.	40 pc(s).		
Type	ESG 6/15 SDI MC NE WS	Version	
Order No.	2558340000	ESG, Device markers x 15 mm, PA 66, Colour: white	
GTIN (EAN)	4050118569056		
Qty.	200 pc(s).		