

**D-SERIES DRM
SCM 2CO P**

Weidmüller Interface GmbH & Co. KG
Klingenbergstraße 26
D-32758 Detmold
Germany
Fon: +49 5231 14-0
Fax: +49 5231 14-292083
www.weidmueller.com

Product image

Accessories for D-SERIES relays include:

- Relay bases
- LED / Protective modules
- Metal retaining clips

General ordering data

Type	SCM 2CO P
Order No.	7760056362
Version	D-SERIES DRM, Relay bases, Number of contacts: 2 CO contact, Continuous current: 12 A, PUSH IN
GTIN (EAN)	6944 169772269
Qty.	10 pc(s).

Creation date May 1, 2020 2:05:19 PM CEST

Catalogue status 17.04.2020 / We reserve the right to make technical changes.

**D-SERIES DRM
SCM 2CO P**

Weidmüller Interface GmbH & Co. KG
 Klingenbergstraße 26
 D-32758 Detmold
 Germany
 Fon: +49 5231 14-0
 Fax: +49 5231 14-292083
 www.weidmueller.com

Technical data**Dimensions and weights**

Width	30.6 mm	Width (inches)	1.205 inch
Height	101.8 mm	Height (inches)	4.008 inch
Depth	42.7 mm	Depth (inches)	1.681 inch
Net weight	65.2 g		

Temperatures

Humidity	5...85 %, no condensation	Operating temperature, max.	55 °C
Operating temperature, min.	-40 °C	Storage temperature, max.	85 °C
Storage temperature, min.	-40 °C	Operating temperature	-40 °C...85 °C
Storage temperature	-40 °C...85 °C		

Environmental Product Compliance

REACH SVHC	Lead 7439-92-1
------------	----------------

Rated data UL

Certificate No. (cURus)	E355547
-------------------------	---------

Output

Rated switching voltage	250 V AC	Max. switching voltage, AC	250 V
Continuous current	12 A		

Contact data

Contact type	2 CO contact
--------------	--------------

General data

Rail	TS 35	Colour	black
UL 94 flammability rating	V-0		

Insulation coordination

Rated voltage	300 V	Surge voltage category	III
Pollution severity	2	Insulating material group	IIIb
Protection degree	IP20	Dielectric strength, Input/Output	4 kV _{eff} / 1 min
Impulse withstand voltage at input and output	4.8 kV (1.2/50 µs)	Creepage and clearance distance input – output	≥ 3 mm
Dielectric strength of neighbouring contacts	2.5 kV _{eff} / 1 Min.	Impulse withstand voltage at neighbouring contacts	4.8 kV (1.2/50 µs)
Dielectric strength of open contact	2.5 kV _{eff} / 1 Min.		

Further details of approvals / standards

Certificate No. (cURus)	E355547
-------------------------	---------

**D-SERIES DRM
SCM 2CO P**

Weidmüller Interface GmbH & Co. KG
 Klingenbergstraße 26
 D-32758 Detmold
 Germany
 Fon: +49 5231 14-0
 Fax: +49 5231 14-292083
 www.weidmueller.com

Technical data**Connection data**

Wire connection method	PUSH IN	Stripping length, rated connection	10 mm
Clamping range, rated connection	1.5 mm ²	Clamping range, min.	0.14 mm ²
Clamping range, max.	1.5 mm ²	Wire connection cross section AWG, min.	AWG 26
Wire connection cross section AWG, max.	AWG 16	Wire cross-section, solid, min.	0.14 mm ²
Wire cross-section, solid, max.	1.5 mm ²	Wire connection cross-section, finely stranded, min.	0.14 mm ²
Wire connection cross section, finely stranded, max.	1.5 mm ²	Wire connection cross-section, finely stranded with wire-end ferrules DIN 46228/4, min.	0.14 mm ²
Wire connection cross-section, finely stranded with wire-end ferrules DIN 46228/4, max.	1 mm ²	Conductor cross-section, flexible, AEH (DIN 46228-1), min.	0.14 mm ²
Conductor cross-section, flexible, AEH (DIN 46228-1), max.	1.5 mm ²	Blade size	0.4 x 2.5 mm

Classifications

ETIM 6.0	EC001456	ETIM 7.0	EC001456
eClass 9.0	27-37-16-03	eClass 9.1	27-37-16-03
eClass 10.0	27-37-16-03		

Product information

Product information Only connection A2 with the cross-connection SCM/SDI P CC (art. no. 7760056366) can be bridged on this socket.

Approvals

Approvals



ROHS Conform

Downloads

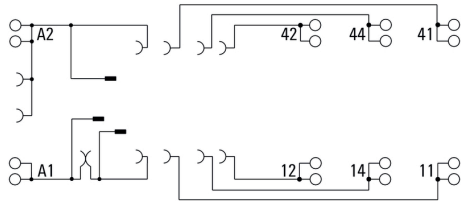
Approval/Certificate/Document of Conformity	EU Konformitätserklärung / EU Declaration of Conformity
Engineering Data	EPLAN
Engineering Data	STEP

**D-SERIES DRM
SCM 2CO P**

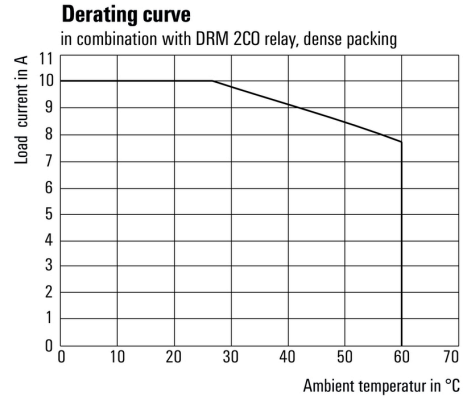
Weidmüller Interface GmbH & Co. KG
 Klingenbergstraße 26
 D-32758 Detmold
 Germany
 Fon: +49 5231 14-0
 Fax: +49 5231 14-292083
 www.weidmueller.com

Drawings

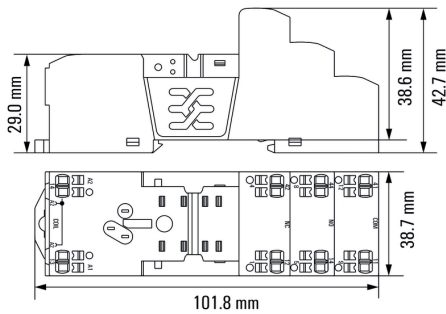
Wiring diagram



Graph



Dimensional drawing

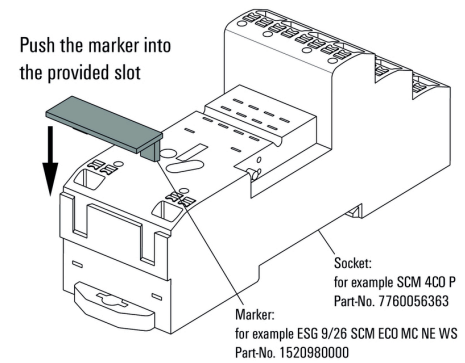


Example of use

Derating curve
 in combination with DRM 2CO
 relays fitted closely side by side

How to install marker

on PUSH IN connection sockets (one slot available)



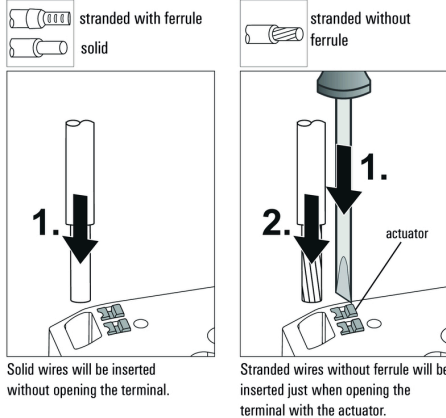
How to install marker

on PUSH IN connection sockets (one slot available)

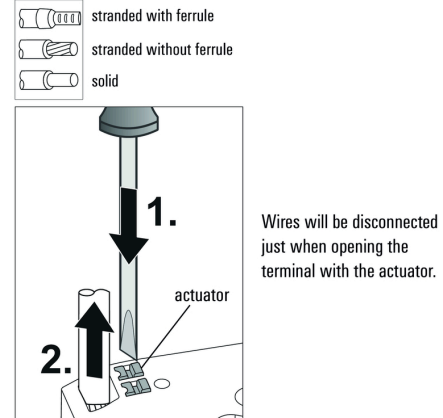
Miscellaneous

Miscellaneous

Insert flexible and solid cables



Removal of cables



**D-SERIES DRM
SCM 2CO P**

Weidmüller Interface GmbH & Co. KG
 Klingenbergstraße 26
 D-32758 Detmold
 Germany
 Fon: +49 5231 14-0
 Fax: +49 5231 14-292083
 www.weidmueller.com

Mating connector (fully pluggable)**with LED and free-wheel diode**

Relay from the D-SERIES DRE.

- 2 or 4 CO contacts
- Compact design
- Wide range of coil voltages
- Integrated with test button (AC red, DC blue)
- Integrated with status display (AC red, DC green) and/or free-wheel diode

General ordering data

Type	DRE270024LD	Version
Order No.	7760054280	D-SERIES DRE, Relay, Number of contacts: 2, CO contact, Ag alloy,
GTIN (EAN)	6944169719882	Rated control voltage: 24 V DC, Continuous current: 5 A, Plug-in connection
Qty.	20 pc(s).	

standard relay

Relay from the D-SERIES DRM.

- 2 or 4 CO contacts
- Compact design
- Wide range of coil voltages
- Optional test button (AC red, DC blue)
- Optional with integrated status display (AC red, DC green) and/or free-wheel diode

General ordering data

Type	DRM270730	Version
Order No.	7760056058	D-SERIES DRM, Relay, Number of contacts: 2, CO contact, AgNi 0,15 µm Au, Rated control voltage: 230 V AC, Continuous current: 10 A, Plug-in connection
GTIN (EAN)	4032248855971	
Qty.	20 pc(s).	
Type	DRM270012	Version
Order No.	7760056050	D-SERIES DRM, Relay, Number of contacts: 2, CO contact, AgNi 0,15 µm Au, Rated control voltage: 12 V DC, Continuous current: 10 A, Plug-in connection
GTIN (EAN)	4032248856053	
Qty.	20 pc(s).	
Type	DRM270110	Version
Order No.	7760056053	D-SERIES DRM, Relay, Number of contacts: 2, CO contact, AgNi 0,15 µm Au, Rated control voltage: 110 V DC, Continuous current: 10 A, Plug-in connection
GTIN (EAN)	4032248856022	
Qty.	20 pc(s).	
Type	DRM270548	Version
Order No.	7760056056	D-SERIES DRM, Relay, Number of contacts: 2, CO contact, AgNi 0,15 µm Au, Rated control voltage: 48 V AC, Continuous current: 10 A, Plug-in connection
GTIN (EAN)	4032248855995	
Qty.	20 pc(s).	
Type	DRM270024	Version
Order No.	7760056051	D-SERIES DRM, Relay, Number of contacts: 2, CO contact, AgNi 0,15 µm Au, Rated control voltage: 24 V DC, Continuous current: 10 A, Plug-in connection
GTIN (EAN)	4032248856046	
Qty.	20 pc(s).	

D-SERIES DRM SCM 2CO P

Weidmüller Interface GmbH & Co. KG
 Klingenbergstraße 26
 D-32758 Detmold
 Germany
 Fon: +49 5231 14-0
 Fax: +49 5231 14-292083
 www.weidmueller.com

Mating connector (fully pluggable)

Type	DRM270524	Version
Order No.	7760056055	D-SERIES DRM, Relay, Number of contacts: 2, CO contact, AgNi 0,15
GTIN (EAN)	4032248856008	µm Au, Rated control voltage: 24 V AC, Continuous current: 10 A,
Qty.	20 pc(s).	Plug-in connection
Type	DRM270615	Version
Order No.	7760056057	D-SERIES DRM, Relay, Number of contacts: 2, CO contact, AgNi 0,15
GTIN (EAN)	4032248855988	µm Au, Rated control voltage: 115 V AC, Continuous current: 10 A,
Qty.	20 pc(s).	Plug-in connection
Type	DRM270048	Version
Order No.	7760056052	D-SERIES DRM, Relay, Number of contacts: 2, CO contact, AgNi 0,15
GTIN (EAN)	4032248856039	µm Au, Rated control voltage: 48 V DC, Continuous current: 10 A,
Qty.	20 pc(s).	Plug-in connection
Type	DRM270220	Version
Order No.	7760056054	D-SERIES DRM, Relay, Number of contacts: 2, CO contact, AgNi 0,15
GTIN (EAN)	4032248856015	µm Au, Rated control voltage: 220 V DC, Continuous current: 10 A,
Qty.	20 pc(s).	Plug-in connection

with LED and test button



Relay from the D-SERIES DRM.

- 2 or 4 CO contacts
- Compact design
- Wide range of coil voltages
- Optional test button (AC red, DC blue)
- Optional with integrated status display (AC red, DC green) and/or free-wheel diode

General ordering data

Type	DRM270730LT AU	Version
Order No.	7760056186	D-SERIES DRM, Relay, Number of contacts: 2, CO contact with test
GTIN (EAN)	4032248922253	button, AgNi 5µm Au, Rated control voltage: 230 V AC, Continuous
Qty.	20 pc(s).	current: 10 A, Plug-in connection
Type	DRM270024LT AU	Version
Order No.	7760056185	D-SERIES DRM, Relay, Number of contacts: 2, CO contact with test
GTIN (EAN)	4032248922246	button, AgNi 5µm Au, Rated control voltage: 24 V DC, Continuous
Qty.	20 pc(s).	current: 10 A, Plug-in connection

D-SERIES DRM SCM 2CO P

Weidmüller Interface GmbH & Co. KG
 Klingenbergstraße 26
 D-32758 Detmold
 Germany
 Fon: +49 5231 14-0
 Fax: +49 5231 14-292083
 www.weidmuller.com

Mating connector (fully pluggable)

with LED and free-wheel diode



Relay from the D-SERIES DRM.

- 2 or 4 CO contacts
- Compact design
- Wide range of coil voltages
- Optional test button (AC red, DC blue)
- Optional with integrated status display (AC red, DC green) and/or free-wheel diode

General ordering data

Type	DRM270024LD	Version
Order No.	7760056124	D-SERIES DRM, Relay, Number of contacts: 2, CO contact, AgNi 0,15
GTIN (EAN)	4032248855544	µm Au, Rated control voltage: 24 V DC, Continuous current: 10 A,
Qty.	20 pc(s).	Plug-in connection
Type	DRM270024LD	Version
Order No.	7760056077	D-SERIES DRM, Relay, Number of contacts: 2, CO contact, AgNi 0,15
GTIN (EAN)	4032248855780	µm Au, Rated control voltage: 24 V DC, Continuous current: 10 A,
Qty.	20 pc(s).	Plug-in connection

with LED



Relay from the D-SERIES DRE.

- 2 or 4 CO contacts
- Compact design
- Wide range of coil voltages
- Integrated with test button (AC red, DC blue)
- Integrated with status display (AC red, DC green) and/or free-wheel diode

General ordering data

Type	DRE270615L	Version
Order No.	7760054278	D-SERIES DRE, Relay, Number of contacts: 2, CO contact, Ag alloy,
GTIN (EAN)	6944169719868	Rated control voltage: 115 V AC, Continuous current: 5 A, Plug-in
Qty.	20 pc(s).	connection
Type	DRE270048L	Version
Order No.	7760054274	D-SERIES DRE, Relay, Number of contacts: 2, CO contact, Ag alloy,
GTIN (EAN)	6944169719820	Rated control voltage: 48 V DC, Continuous current: 5 A, Plug-in
Qty.	20 pc(s).	connection
Type	DRE270730L	Version
Order No.	7760054279	D-SERIES DRE, Relay, Number of contacts: 2, CO contact, Ag alloy,
GTIN (EAN)	6944169719875	Rated control voltage: 230 V AC, Continuous current: 5 A, Plug-in
Qty.	20 pc(s).	connection
Type	DRE270110L	Version
Order No.	7760054275	D-SERIES DRE, Relay, Number of contacts: 2, CO contact, Ag alloy,
GTIN (EAN)	6944169719837	Rated control voltage: 110 V DC, Continuous current: 5 A, Plug-in
Qty.	20 pc(s).	connection

**D-SERIES DRM
SCM 2CO P**

Weidmüller Interface GmbH & Co. KG
 Klingenbergstraße 26
 D-32758 Detmold
 Germany
 Fon: +49 5231 14-0
 Fax: +49 5231 14-292083
 www.weidmueller.com

Mating connector (fully pluggable)

Type	DRE270024L	Version
Order No.	7760054273	D-SERIES DRE, Relay, Number of contacts: 2, CO contact, Ag alloy,
GTIN (EAN)	6944169719813	Rated control voltage: 24 V DC, Continuous current: 5 A, Plug-in
Qty.	20 pc(s).	connection
Type	DRE270548L	Version
Order No.	7760054277	D-SERIES DRE, Relay, Number of contacts: 2, CO contact, Ag alloy,
GTIN (EAN)	6944169719851	Rated control voltage: 48 V AC, Continuous current: 5 A, Plug-in
Qty.	20 pc(s).	connection
Type	DRE270524L	Version
Order No.	7760054276	D-SERIES DRE, Relay, Number of contacts: 2, CO contact, Ag alloy,
GTIN (EAN)	6944169719844	Rated control voltage: 24 V AC, Continuous current: 5 A, Plug-in
Qty.	20 pc(s).	connection
Type	DRE270012L	Version
Order No.	7760054272	D-SERIES DRE, Relay, Number of contacts: 2, CO contact, Ag alloy,
GTIN (EAN)	6944169719806	Rated control voltage: 12 V DC, Continuous current: 5 A, Plug-in
Qty.	20 pc(s).	connection

with LED

Relay from the D-SERIES DRM.

- 2 or 4 CO contacts
- Compact design
- Wide range of coil voltages
- Optional test button (AC red, DC blue)
- Optional with integrated status display (AC red, DC green) and/or free-wheel diode

General ordering data

Type	DRM270024L	Version
Order No.	7760056060	D-SERIES DRM, Relay, Number of contacts: 2, CO contact, AgNi 0,15
GTIN (EAN)	4032248855957	µm Au, Rated control voltage: 24 V DC, Continuous current: 10 A,
Qty.	20 pc(s).	Plug-in connection
Type	DRM270048L	Version
Order No.	7760056061	D-SERIES DRM, Relay, Number of contacts: 2, CO contact, AgNi 0,15
GTIN (EAN)	4032248855940	µm Au, Rated control voltage: 48 V DC, Continuous current: 10 A,
Qty.	20 pc(s).	Plug-in connection
Type	DRM270110L	Version
Order No.	7760056062	D-SERIES DRM, Relay, Number of contacts: 2, CO contact, AgNi 0,15
GTIN (EAN)	4032248855933	µm Au, Rated control voltage: 110 V DC, Continuous current: 10 A,
Qty.	20 pc(s).	Plug-in connection
Type	DRM270730L	Version
Order No.	7760056067	D-SERIES DRM, Relay, Number of contacts: 2, CO contact, AgNi 0,15
GTIN (EAN)	4032248855889	µm Au, Rated control voltage: 230 V AC, Continuous current: 10 A,
Qty.	20 pc(s).	Plug-in connection
Type	DRM270548L	Version
Order No.	7760056065	D-SERIES DRM, Relay, Number of contacts: 2, CO contact, AgNi 0,15
GTIN (EAN)	4032248855902	µm Au, Rated control voltage: 48 V AC, Continuous current: 10 A,
Qty.	20 pc(s).	Plug-in connection

**D-SERIES DRM
SCM 2CO P**

Weidmüller Interface GmbH & Co. KG
 Klingenbergstraße 26
 D-32758 Detmold
 Germany
 Fon: +49 5231 14-0
 Fax: +49 5231 14-292083
 www.weidmueller.com

Mating connector (fully pluggable)

Type	DRM270615L	Version
Order No.	7760056066	D-SERIES DRM, Relay, Number of contacts: 2, CO contact, AgNi 0,15
GTIN (EAN)	4032248855896	µm Au, Rated control voltage: 115 V AC, Continuous current: 10 A,
Qty.	20 pc(s).	Plug-in connection
Type	DRM270125L	Version
Order No.	7760056115	D-SERIES DRM, Relay, Number of contacts: 2, CO contact, AgNi 0,15
GTIN (EAN)	4032248883110	µm Au, Rated control voltage: 125 V DC, Continuous current: 10 A,
Qty.	20 pc(s).	Plug-in connection
Type	DRM270220L	Version
Order No.	7760056063	D-SERIES DRM, Relay, Number of contacts: 2, CO contact, AgNi 0,15
GTIN (EAN)	4032248855926	µm Au, Rated control voltage: 220 V DC, Continuous current: 10 A,
Qty.	20 pc(s).	Plug-in connection
Type	DRM270012L	Version
Order No.	7760056059	D-SERIES DRM, Relay, Number of contacts: 2, CO contact, AgNi 0,15
GTIN (EAN)	4032248855964	µm Au, Rated control voltage: 12 V DC, Continuous current: 10 A,
Qty.	20 pc(s).	Plug-in connection
Type	DRM270524L	Version
Order No.	7760056064	D-SERIES DRM, Relay, Number of contacts: 2, CO contact, AgNi 0,15
GTIN (EAN)	4032248855919	µm Au, Rated control voltage: 24 V AC, Continuous current: 10 A,
Qty.	20 pc(s).	Plug-in connection

with LED

Relay from the D-SERIES DRM.

- 2 or 4 CO contacts
- Compact design
- Wide range of coil voltages
- Optional test button (AC red, DC blue)
- Optional with integrated status display (AC red, DC green) and/or free-wheel diode

General ordering data

Type	DRM270024L AU	Version
Order No.	7760056183	D-SERIES DRM, Relay, Number of contacts: 2, CO contact, AgNi 5µm
GTIN (EAN)	4032248922222	Au, Rated control voltage: 24 V DC, Continuous current: 10 A, Plug-in
Qty.	20 pc(s).	connection
Type	DRM270730L AU	Version
Order No.	7760056184	D-SERIES DRM, Relay, Number of contacts: 2, CO contact, AgNi 5µm
GTIN (EAN)	4032248922239	Au, Rated control voltage: 230 V AC, Continuous current: 10 A, Plug-
Qty.	20 pc(s).	in connection

**D-SERIES DRM
SCM 2CO P**

Weidmüller Interface GmbH & Co. KG
Klingenbergstraße 26
D-32758 Detmold
Germany
Fon: +49 5231 14-0
Fax: +49 5231 14-292083
www.weidmuller.com

Mating connector (fully pluggable)**with LED and test button**

Relay from the D-SERIES DRM.

- 2 or 4 CO contacts
- Compact design
- Wide range of coil voltages
- Optional test button (AC red, DC blue)
- Optional with integrated status display (AC red, DC green) and/or free-wheel diode

General ordering data

Type	DRM270730LT	Version
Order No.	7760056076	D-SERIES DRM, Relay, Number of contacts: 2, CO contact with test button, AgNi 0,15 µm Au, Rated control voltage: 230 V AC,
GTIN (EAN)	4032248855797	Continuous current: 10 A, Plug-in connection
Qty.	20 pc(s).	
Type	DRM270024LT	Version
Order No.	7760056069	D-SERIES DRM, Relay, Number of contacts: 2, CO contact with test button, AgNi 0,15 µm Au, Rated control voltage: 24 V DC, Continuous
GTIN (EAN)	4032248855865	current: 10 A, Plug-in connection
Qty.	20 pc(s).	
Type	DRM270110LT	Version
Order No.	7760056071	D-SERIES DRM, Relay, Number of contacts: 2, CO contact with test button, AgNi 0,15 µm Au, Rated control voltage: 110 V DC,
GTIN (EAN)	4032248855841	Continuous current: 10 A, Plug-in connection
Qty.	20 pc(s).	
Type	DRM270012LT	Version
Order No.	7760056068	D-SERIES DRM, Relay, Number of contacts: 2, CO contact with test button, AgNi 0,15 µm Au, Rated control voltage: 12 V DC, Continuous
GTIN (EAN)	4032248855872	current: 10 A, Plug-in connection
Qty.	20 pc(s).	
Type	DRM270220LT	Version
Order No.	7760056072	D-SERIES DRM, Relay, Number of contacts: 2, CO contact with test button, AgNi 0,15 µm Au, Rated control voltage: 220 V DC,
GTIN (EAN)	4032248855834	Continuous current: 10 A, Plug-in connection
Qty.	20 pc(s).	
Type	DRM270048LT	Version
Order No.	7760056070	D-SERIES DRM, Relay, Number of contacts: 2, CO contact with test button, AgNi 0,15 µm Au, Rated control voltage: 48 V DC, Continuous
GTIN (EAN)	4032248855858	current: 10 A, Plug-in connection
Qty.	20 pc(s).	
Type	DRM270548LT	Version
Order No.	7760056074	D-SERIES DRM, Relay, Number of contacts: 2, CO contact with test button, AgNi 0,15 µm Au, Rated control voltage: 48 V AC, Continuous
GTIN (EAN)	4032248855810	current: 10 A, Plug-in connection
Qty.	20 pc(s).	
Type	DRM270524LT	Version
Order No.	7760056073	D-SERIES DRM, Relay, Number of contacts: 2, CO contact with test button, AgNi 0,15 µm Au, Rated control voltage: 24 V AC, Continuous
GTIN (EAN)	4032248855827	current: 10 A, Plug-in connection
Qty.	20 pc(s).	
Type	DRM270615LT	Version
Order No.	7760056075	D-SERIES DRM, Relay, Number of contacts: 2, CO contact with test button, AgNi 0,15 µm Au, Rated control voltage: 115 V AC,
GTIN (EAN)	4032248855803	Continuous current: 10 A, Plug-in connection
Qty.	20 pc(s).	

**D-SERIES DRM
SCM 2CO P**

Weidmüller Interface GmbH & Co. KG
Klingenbergstraße 26
D-32758 Detmold
Germany
Fon: +49 5231 14-0
Fax: +49 5231 14-292083
www.weidmueller.com

Accessories

Cross-connection for base with PUSH IN connection



In an industrial environment, service work needs to be carried out quickly, simply and reliably. If components are replaced, bended relay contacts often cause errors which are difficult to locate.

As the handling of components in practice plays an increasingly important role, DRI relays have particularly stable plug contacts for quick and safe mounting. The test button with latching in end position can be operated tool-free. An easily visible, LED illuminated status display also allows clear determination of status.

Both during installation of the cabinet and during subsequent servicing in the machinery and plant engineering sector, DRI relays are the optimum coupling element for confined installation conditions.

General ordering data

Type	SCM/SDI P CC	Version
Order No.	7760056366	D-SERIES, Cross-connector
GTIN (EAN)	6944169773327	
Qty.	10 pc(s).	

Slotted screwdriver

Slotted screwdriver with rounded blade SD DIN 5265, ISO 2380/2, output to DIN 5264, ISO 2380/1. ChromTop tip, SoftFinish grip



General ordering data

Type	SDS 0.4X2.5X75	Version
Order No.	9009030000	Screwdriver, Blade width (B): 2.5 mm, Blade length: 75 mm, Blade thickness (A): 0.4 mm
GTIN (EAN)	4032248266944	
Qty.	1 pc(s).	

D-SERIES DRM SCM 2CO P

Weidmüller Interface GmbH & Co. KG
 Klingenbergstraße 26
 D-32758 Detmold
 Germany
 Fon: +49 5231 14-0
 Fax: +49 5231 14-292083
 www.weidmueller.com

Accessories

Retaining clip



Accessories for D-SERIES relays include:

- Relay bases
- LED / Protective modules
- Metal retaining clips

General ordering data

Type	SCM CLIP P	Version
Order No.	7760056367	D-SERIES DRM, Retaining clip
GTIN (EAN)	6944169773334	
Qty.	5 pc(s).	
Type	DRM/DRL CLIP M	Version
Order No.	7760056108	D-SERIES, Retaining clip
GTIN (EAN)	4032248855568	
Qty.	20 pc(s).	

Protection modules



Accessories for D-SERIES relays include:

- Relay bases
- LED / Protective modules
- Metal retaining clips

General ordering data

Type	RIM 1 6/230VDC	Version
Order No.	7760056169	D-SERIES, Free-wheeling diode, Rated control voltage: 6...230 V, Plug-in connection
GTIN (EAN)	4032248967728	
Qty.	10 pc(s).	
Type	RIM 3 110/230VAC	Version
Order No.	7760056014	D-SERIES, RC filter, Rated control voltage: 110...230 V AC, Plug-in connection
GTIN (EAN)	4032248878109	
Qty.	10 pc(s).	
Type	RIM 3 110/230VAC LED	Version
Order No.	7760056045	D-SERIES, RC filter, Rated control voltage: 110...230 V AC, Plug-in connection
GTIN (EAN)	4032248878147	
Qty.	10 pc(s).	

D-SERIES DRM SCM 2CO P

Weidmüller Interface GmbH & Co. KG
 Klingenbergstraße 26
 D-32758 Detmold
 Germany
 Fon: +49 5231 14-0
 Fax: +49 5231 14-292083
 www.weidmueller.com

Accessories

Slotted screwdriver

VDE insulated slot-head screwdriver, SDI DIN 7437, ISO 2380/2, drive output acc. to DIN 5264, ISO 2380/1. SoftFinish grip



General ordering data

Type	SDIS 0.4X2.5X75	Version
Order No.	9008370000	Screwdriver, Blade width (B): 2.5 mm, Blade length: 75 mm, Blade thickness (A): 0.4 mm
GTIN (EAN)	4032248056330	
Qty.	1 pc(s).	

LED / free-wheel diode

Accessories for D-SERIES relays include:

- Relay bases
- LED / Protective modules
- Metal retaining clips



General ordering data

Type	RIM 2 24/60VDC	Version
Order No.	7760056016	D-SERIES, LED module with freewheel diode, Rated control voltage: 24...60 V DC, Plug-in connection
GTIN (EAN)	4032248878123	
Qty.	10 pc(s).	
Type	RIM 2 110/230VDC	Version
Order No.	7760056017	D-SERIES, LED module with freewheel diode, Rated control voltage: 110...230 V DC, Plug-in connection
GTIN (EAN)	4032248896615	
Qty.	10 pc(s).	
Type	RIM 2 6/24VDC	Version
Order No.	7760056015	D-SERIES, LED module with freewheel diode, Rated control voltage: 6...24 V DC, Plug-in connection
GTIN (EAN)	4032248878116	
Qty.	10 pc(s).	

D-SERIES DRM SCM 2CO P

Weidmüller Interface GmbH & Co. KG
 Klingenbergstraße 26
 D-32758 Detmold
 Germany
 Fon: +49 5231 14-0
 Fax: +49 5231 14-292083
 www.weidmueller.com

Accessories

LED



Accessories for D-SERIES relays include:

- Relay bases
- LED / Protective modules
- Metal retaining clips

General ordering data

Type	RIM 3 24/60VUC	Version
Order No.	7760056018	D-SERIES, LED module, Rated control voltage: 24...60 V UC, Plug-in connection
GTIN (EAN)	4032248878130	
Qty.	10 pc(s).	
Type	RIM 3 110/230VUC	Version
Order No.	7940018455	D-SERIES, LED module, Rated control voltage: 110...230 V UC, Plug-in connection
GTIN (EAN)	4032248878185	
Qty.	20 pc(s).	
Type	RIM 3 6/24VUC	Version
Order No.	7940018457	D-SERIES, LED module, Rated control voltage: 6...24 V UC, Plug-in connection
GTIN (EAN)	4032248878192	
Qty.	20 pc(s).	

MultiCard



The Weidmüller device markers enable users to conform to obligatory equipment labelling regulations. Users can label the device markers themselves by means of suitable software and system-compatible printer systems.

ESG is the tried-and-tested marker in MultiCard format. The result is high-quality device marking with a high-contrast appearance.

ESG 9/26 SCM ECO MC... for marking D-SERIES DRM relay sockets:

- Attachable MultiCard markers
- Depending on the relay socket it is attachable on up to 4 levels
- Additional option for attaching the marker on plastic retaining clip: SCM CLIP P
- PrintJet printable

General ordering data

Type	ESG 9/26 SCM ECO MC NE ...	Version
Order No.	1520990000	ESG, Device markers x 26 mm, PA 66, Colour: yellow
GTIN (EAN)	4050118327861	
Qty.	80 pc(s).	

Data sheet

D-SERIES DRM SCM 2CO P

Weidmüller Interface GmbH & Co. KG
 Klingenbergstraße 26
 D-32758 Detmold
 Germany
 Fon: +49 5231 14-0
 Fax: +49 5231 14-292083
 www.weidmueller.com

Accessories

Type	ESG 9/26 SCM ECO MC SDR	Version
Order No.	1525800000	ESG, Device markers x 26 mm, PA 66, Colour: To customer specification
GTIN (EAN)	4050118331875	
Qty.	80 pc(s).	
Type	ESG 9/26 SCM ECO MC NE ...	Version
Order No.	1521000000	ESG, Device markers x 26 mm, PA 66, Colour: grey
GTIN (EAN)	4050118327878	
Qty.	80 pc(s).	
Type	ESG 9/26 SCM ECO MC NE ...	Version
Order No.	1520980000	ESG, Device markers x 26 mm, PA 66, Colour: white
GTIN (EAN)	4050118327939	
Qty.	80 pc(s).	

**D-SERIES DRM
SCM 2CO P**

Weidmüller Interface GmbH & Co. KG
Klingenbergstraße 26
D-32758 Detmold
Germany
Fon: +49 5231 14-0
Fax: +49 5231 14-292083
www.weidmueller.com

Drawings**Miscellaneous****Recommended screwdriver**to push the actuator in **PUSH IN**