

**D-SERIES DRI
SDI CLIP**

Weidmüller Interface GmbH & Co. KG
Klingenbergstraße 26
D-32758 Detmold
Germany
Fon: +49 5231 14-0
Fax: +49 5231 14-292083
www.weidmueller.com

Product image

Accessories for D-SERIES relays include:

- Relay bases
- LED / Protective modules
- Metal retaining clips

General ordering data

Type	SDI CLIP
Order No.	7760056352
Version	D-SERIES DRI, Retaining clip
GTIN (EAN)	6944 169739996
Qty.	10 pc(s).

Creation date May 1, 2020 2:05:42 PM CEST

Catalogue status 17.04.2020 / We reserve the right to make technical changes.

Data sheet

D-SERIES DRI SDI CLIP

Weidmüller Interface GmbH & Co. KG
 Klingenbergstraße 26
 D-32758 Detmold
 Germany
 Fon: +49 5231 14-0
 Fax: +49 5231 14-292083
 www.weidmueller.com

Technical data

Dimensions and weights

Width	15.8 mm	Width (inches)	0.622 inch
Height	31 mm	Height (inches)	1.22 inch
Depth	39.6 mm	Depth (inches)	1.559 inch
Net weight	1.71 g		

Temperatures

Humidity	35...85 % rel. humidity, no condensation
----------	--

General data

Material	Plastic	Colour	black
----------	---------	--------	-------

Classifications

ETIM 6.0	EC002586	ETIM 7.0	EC002586
eClass 9.1	27-37-16-92	eClass 10.0	27-37-16-92

Approvals

ROHS	Conform
------	---------

Downloads

Engineering Data	EPLAN, WSCAD
Engineering Data	STEP

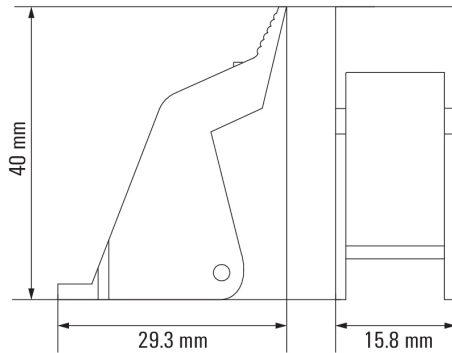
Data sheet

**D-SERIES DRI
SDI CLIP**

Weidmüller Interface GmbH & Co. KG
Klingenbergstraße 26
D-32758 Detmold
Germany
Fon: +49 5231 14-0
Fax: +49 5231 14-292083
www.weidmueller.com

Drawings

Dimensional drawing



**D-SERIES DRI
SDI CLIP**

Weidmüller Interface GmbH & Co. KG
 Klingenbergstraße 26
 D-32758 Detmold
 Germany
 Fon: +49 5231 14-0
 Fax: +49 5231 14-292083
 www.weidmueller.com

Accessories

Blank



ESG is the tried-and-tested marker in MultiCard format for use on many well-known electrical devices. The result is high-quality device marking with a high-contrast appearance.

Various types are available for devices from the following manufacturers:

- Siemens
- Télémecanique
- ABB
- Beckhoff
- Lumberg
- Tags for all-purpose usage; self-adhesive or clip-on tags, depending on the type

Advantages at a glance:

- Tags for universal usage, self-adhesive or clip-on tags, depending on type
- For aligned equipment, e.g. circuit breakers, we supply ESG markers for clipping onto tag rails
- Individual laser-quality printing according to specifications

For custom printing: Please send us a file of our labeling software M-Print PRO or M-Print PRO Online (without installation) for your labeling specifications.

Please note that these markers are not intended for printing with the SpeedMarking laser.

General ordering data

Type	ESG 6/15 K MC NE WS	Version
Order No.	1880100000	ESG, Device markers x 15 mm, PA 66, Colour: white, Self-adhesive
GTIN (EAN)	4032248478781	
Qty.	200 pc(s).	
Type	ESG 6/15 K MC NE GE	Version
Order No.	1880130000	ESG, Device markers x 15 mm, PA 66, Colour: yellow, Self-adhesive
GTIN (EAN)	4032248478910	
Qty.	200 pc(s).	