

**D-SERIES DRI
DRI424524LT**

Weidmüller Interface GmbH & Co. KG
Klingenbergstraße 26
D-32758 Detmold
Germany
Fon: +49 5231 14-0
Fax: +49 5231 14-292083
www.weidmueller.com

Product image


Similar to illustration

Relay from the D-SERIES DRI

- 1 or 2 CO contacts
- Robust industrial plug-in connections
- Optional: latching / spring return operable test button with coloured control voltage identification (AC coil: red / DC coil: blue)
- Optional: Mechanical switch position indication (for version with test button)
- Optional: Bright status LED (AC coil: red / DC coil: green)
- Optional: free-wheeling diode

General ordering data

Type	DRI424524LT
Order No.	7760056343
Version	D-SERIES DRI, Relay, Number of contacts: 2 CO contact with test button AgSnO, Rated control voltage: 24 V AC, Continuous current: 5 A, Flat blade connections (2.5 mm x 0.5 mm)
GTIN (EAN)	6944 169739903
Qty.	20 pc(s).

Creation date May 1, 2020 2:08:35 PM CEST

Catalogue status 17.04.2020 / We reserve the right to make technical changes.

**D-SERIES DRI
DRI424524LT**

Weidmüller Interface GmbH & Co. KG
 Klingenbergstraße 26
 D-32758 Detmold
 Germany
 Fon: +49 5231 14-0
 Fax: +49 5231 14-292083
 www.weidmueller.com

Technical data**Dimensions and weights**

Width	13 mm	Width (inches)	0.512 inch
Height	31 mm	Height (inches)	1.22 inch
Depth	33.5 mm	Depth (inches)	1.319 inch
Net weight	20.08 g		

Temperatures

Humidity	35...85 % rel. humidity, no condensation	Operating temperature, max.	55 °C
Operating temperature, min.	-40 °C	Storage temperature, max.	85 °C
Storage temperature, min.	-40 °C	Operating temperature	-40 °C...55 °C
Storage temperature	-40 °C...85 °C		

Environmental Product Compliance

REACH SVHC	Lead 7439-92-1
------------	----------------

Rated data UL

Certificate No. (cURus)	E312083
-------------------------	---------

Input

Rated control voltage	24 V AC	Rated current AC	50 mA
Power rating	1.2 VA	Pull-in/drop-out voltage, typ.	19.2 V / 7.2 V AC
Coil resistance	240 Ω ± 10 %	Status indicator	red LED

Output

Rated switching voltage	250 V AC	Max. switching voltage, AC	250 V
Max. switching voltage, DC	250 V	Continuous current	5 A
AC switching capacity (resistive), max.	1250 VA	DC switching capacity (resistive), max.	150 W @ 24 V
Switch-on delay	≤ 15 ms	Switch-off delay	≤ 10 ms
Min. switching power	10 mA @ 12 V, 100 mA @ 5 V	Max. switching frequency at rated load	0.1 Hz

Contact data

Contact type	2 CO contact with test button (AgSnO)	Mechanical service life	10 x 10 ⁶ switching cycles
--------------	---------------------------------------	-------------------------	---------------------------------------

General data

Test button	yes (lockable)	Mechanical switch position indicator	Yes
Colour	Transparent	UL 94 flammability rating	V-2

Insulation coordination

Rated voltage	300 V	Surge voltage category	III
Pollution severity	2	Insulating material group	IIIa
Protection degree	IP20	Dielectric strength, Input/Output	5 kV _{eff} / 1 min
Creepage and clearance distance input - output	≥ 4 mm	Dielectric strength of neighbouring contacts	1.5 kV _{eff} / 1 min.
Dielectric strength of open contact	1 kV _{eff} / 1 min	Impulse withstand voltage	5 kV (1.2/50 μs)

Creation date May 1, 2020 2:08:36 PM CEST

Data sheet

**D-SERIES DRI
DRI424524LT**

Weidmüller Interface GmbH & Co. KG
 Klingenbergstraße 26
 D-32758 Detmold
 Germany
 Fon: +49 5231 14-0
 Fax: +49 5231 14-292083
 www.weidmueller.com

Technical data

Further details of approvals / standards

Standards	IEC 61810-1, EN 60664-1:2007, EN 61000-6-2:2005, EN 61000-6-4:2007 + A1:2011, UL 508	Certificate No. (cURus)	E312083
-----------	--	-------------------------	---------

Connection data

Wire connection method	Flat blade connections (2.5 mm x 0.5 mm)
------------------------	--

Classifications

ETIM 6.0	EC001437	ETIM 7.0	EC001437
eClass 9.0	27-37-16-01	eClass 9.1	27-37-16-01
eClass 10.0	27-37-16-01		

Approvals

Approvals	
-----------	--

ROHS	Conform
------	---------

Downloads

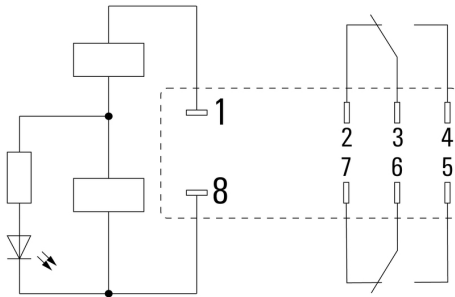
Approval/Certificate/Document of Conformity	EU Konformitätserklärung / EU Declaration of Conformity
Engineering Data	EPLAN, WSCAD
Engineering Data	STEP

**D-SERIES DRI
DRI424524LT**

Weidmüller Interface GmbH & Co. KG
 Klingenbergstraße 26
 D-32758 Detmold
 Germany
 Fon: +49 5231 14-0
 Fax: +49 5231 14-292083
 www.weidmueller.com

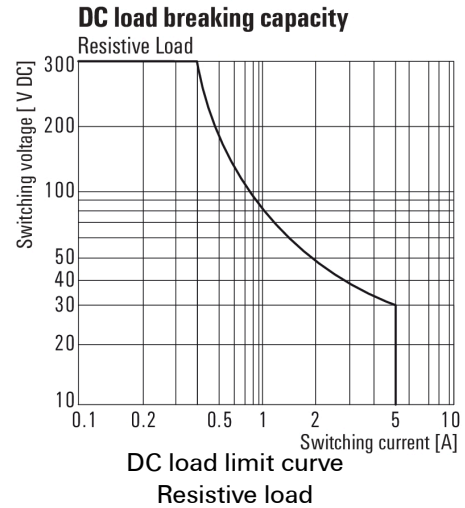
Drawings

Wiring diagram

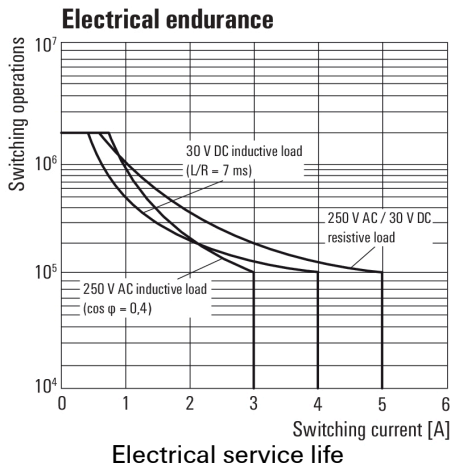


View of Pins from below

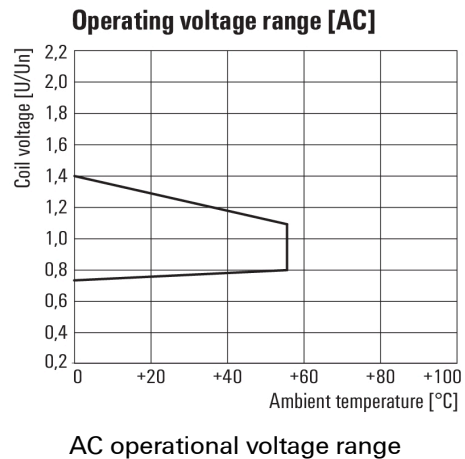
Graph



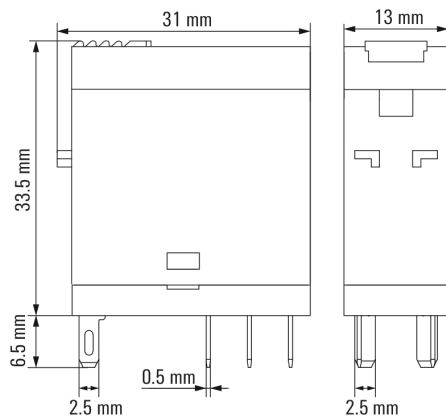
Graph



Graph



Dimensional drawing



**D-SERIES DRI
DRI424524LT**

Weidmüller Interface GmbH & Co. KG
 Klingenbergstraße 26
 D-32758 Detmold
 Germany
 Fon: +49 5231 14-0
 Fax: +49 5231 14-292083
 www.weidmueller.com

Mating connector (fully pluggable)

Base



Accessories for D-SERIES relays include:

- Relay bases
- LED / Protective modules
- Metal retaining clips

General ordering data

Type	SDI 2CO F ECO	Version
Order No.	7760056349	D-SERIES DRI, Relay bases, Number of contacts: 2 CO contact,
GTIN (EAN)	6944169739965	Continuous current: 8 A, Screw connection
Qty.	10 pc(s).	
Type	SDI 2CO ECO	Version
Order No.	7760056347	D-SERIES DRI, Relay bases, Number of contacts: 2 CO contact,
GTIN (EAN)	6944169739941	Continuous current: 8 A, Screw connection
Qty.	10 pc(s).	
Type	SDI 2CO P	Version
Order No.	7760056365	D-SERIES DRI, Relay bases, Number of contacts: 2 CO contact,
GTIN (EAN)	6944169772290	Continuous current: 8 A, PUSH IN
Qty.	20 pc(s).	
Type	SDI 2CO	Version
Order No.	7760056351	D-SERIES DRI, Relay bases, Number of contacts: 2 CO contact,
GTIN (EAN)	6944169739989	Continuous current: 8 A, Screw connection
Qty.	10 pc(s).	

D-SERIES DRI DRI424524LT

Weidmüller Interface GmbH & Co. KG
 Klingenbergstraße 26
 D-32758 Detmold
 Germany
 Fon: +49 5231 14-0
 Fax: +49 5231 14-292083
 www.weidmueller.com

Accessories

Retaining clip



Accessories for D-SERIES relays include:

- Relay bases
- LED / Protective modules
- Metal retaining clips

General ordering data

Type	SDI CLIP HM	Version
Order No.	7760056390	D-SERIES DRI, Retaining clip
GTIN (EAN)	6944169787898	
Qty.	10 pc(s).	
Type	SDI CLIP P	Version
Order No.	7760056389	D-SERIES DRI, Retaining clip
GTIN (EAN)	6944169787539	
Qty.	10 pc(s).	
Type	SDI CLIP	Version
Order No.	7760056352	D-SERIES DRI, Retaining clip
GTIN (EAN)	6944169739996	
Qty.	10 pc(s).	

Base



Accessories for D-SERIES relays include:

- Relay bases
- LED / Protective modules
- Metal retaining clips

General ordering data

Type	SDI 2CO F ECO	Version
Order No.	7760056349	D-SERIES DRI, Relay bases, Number of contacts: 2 CO contact,
GTIN (EAN)	6944169739965	Continuous current: 8 A, Screw connection
Qty.	10 pc(s).	
Type	SDI 2CO ECO	Version
Order No.	7760056347	D-SERIES DRI, Relay bases, Number of contacts: 2 CO contact,
GTIN (EAN)	6944169739941	Continuous current: 8 A, Screw connection
Qty.	10 pc(s).	
Type	SDI 2CO P	Version
Order No.	7760056365	D-SERIES DRI, Relay bases, Number of contacts: 2 CO contact,
GTIN (EAN)	6944169772290	Continuous current: 8 A, PUSH IN
Qty.	20 pc(s).	

Data sheet

**D-SERIES DRI
DRI424524LT**

Weidmüller Interface GmbH & Co. KG
 Klingenbergstraße 26
 D-32758 Detmold
 Germany
 Fon: +49 5231 14-0
 Fax: +49 5231 14-292083
 www.weidmueller.com

Accessories

Type	SDI 2CO	Version
Order No.	7760056351	D-SERIES DRI, Relay bases, Number of contacts: 2 CO contact,
GTIN (EAN)	6944169739989	Continuous current: 8 A, Screw connection
Qty.	10 pc(s).	

LED



Accessories for D-SERIES relays include:

- Relay bases
- LED / Protective modules
- Metal retaining clips

General ordering data

Type	RIM 3 24/60VUC	Version
Order No.	7760056018	D-SERIES, LED module, Rated control voltage: 24...60 V UC, Plug-in connection
GTIN (EAN)	4032248878130	
Qty.	10 pc(s).	
Type	RIM 3 6/24VUC	Version
Order No.	7940018457	D-SERIES, LED module, Rated control voltage: 6...24 V UC, Plug-in connection
GTIN (EAN)	4032248878192	
Qty.	20 pc(s).	

**D-SERIES DRI
DRI424524LT**

Weidmüller Interface GmbH & Co. KG
 Klingenbergstraße 26
 D-32758 Detmold
 Germany
 Fon: +49 5231 14-0
 Fax: +49 5231 14-292083
 www.weidmueller.com

Accessories

MultiCard



The Weidmüller device markers enable users to conform to obligatory equipment labelling regulations. Users can label the device markers themselves by means of suitable software and system-compatible printer systems. ESG is the tried-and-tested marker in MultiCard format. The result is high-quality device marking with a high-contrast appearance.

ESG 6/15 SDI MC... for marking D-SERIES DRI relay sockets:

- Attachable MultiCard markers
- Depending on the relay socket it is attachable on up to 4 levels
- Additional option for attaching the marker on plastic retaining clip: SDI CLIP P
- PrintJet printable

General ordering data

Type	ESG 6/15 SDI MC SDR	Version	
Order No.	2558310000	ESG, Device markers x 15 mm, PA 66, Colour: To customer specification	
GTIN (EAN)	4050118569025		
Qty.	40 pc(s).		
Type	ESG 6/15 SDI MC NE WS	Version	
Order No.	2558340000	ESG, Device markers x 15 mm, PA 66, Colour: white	
GTIN (EAN)	4050118569056		
Qty.	200 pc(s).		

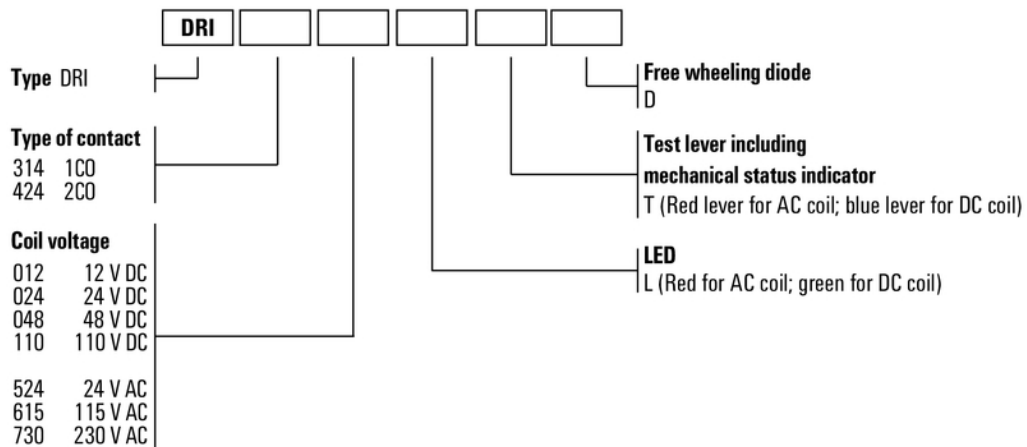
Data sheet

**D-SERIES DRI
DRI424524LT**

Weidmüller Interface GmbH & Co. KG
 Klingenbergstraße 26
 D-32758 Detmold
 Germany
 Fon: +49 5231 14-0
 Fax: +49 5231 14-292083
 www.weidmueller.com

Drawings

Miscellaneous



Type codes