

D-SERIES DRM SCM 4CO ECO

Weidmüller Interface GmbH & Co. KG
 Klingenbergstraße 26
 D-32758 Detmold
 Germany
 Fon: +49 5231 14-0
 Fax: +49 5231 14-292083
 www.weidmueller.com

Product image



Accessories for D-SERIES relays include:

- Relay bases
- LED / Protective modules
- Metal retaining clips

General ordering data

Type	SCM 4CO ECO
Order No.	7760056264
Version	D-SERIES DRM, Relay bases, Number of contacts: 4 CO contact, Continuous current: 6 A, Screw connection
GTIN (EAN)	6944 169662973
Qty.	10 pc(s).

Creation date May 1, 2020 2:27:22 PM CEST

Catalogue status 17.04.2020 / We reserve the right to make technical changes.

**D-SERIES DRM
SCM 4CO ECO**

Weidmüller Interface GmbH & Co. KG
 Klingenbergstraße 26
 D-32758 Detmold
 Germany
 Fon: +49 5231 14-0
 Fax: +49 5231 14-292083
 www.weidmueller.com

Technical data**Dimensions and weights**

Width	27.2 mm	Width (inches)	1.071 inch
Height	79.9 mm	Height (inches)	3.146 inch
Depth	61 mm	Depth (inches)	2.402 inch
Net weight	67.6 g		

Temperatures

Humidity	35...85 % rel. humidity, no condensation	Operating temperature, max.	70 °C
Operating temperature, min.	-40 °C	Storage temperature, max.	70 °C
Storage temperature, min.	-40 °C	Operating temperature	-40 °C...70 °C
Storage temperature	-40 °C...70 °C		

Environmental Product Compliance

REACH SVHC Lead 7439-92-1

Rated data UL

Certificate No. (cURus) E312083

Output

Rated switching voltage	250 V AC	Max. switching voltage, AC	300 V
Continuous current	6 A		

Contact data

Contact type 4 CO contact

General data

Rail	TS 35	Colour	black
UL 94 flammability rating	V-0		

Insulation coordination

Rated voltage	250 V	Surge voltage category	III
Pollution severity	2	Insulating material group	C
Protection degree	IP20	Dielectric strength, Input/Output	4 kV _{eff} / 1 min
Creepage and clearance distance input – output	≥ 5.5 mm	Dielectric strength of neighbouring contacts	4 kV _{eff} / 1 min
Dielectric strength of open contact	1 kV _{eff} / 1 min	Impulse withstand voltage	4.8 kV (1.2/50 μs)

Further details of approvals / standards

Standards	EN 60664-1:2007, EN 61000-6-2:2005, EN 61000-6-4:2007 + A1:2011, UL 508	Certificate No. (cURus)	E312083
-----------	--	-------------------------	---------

**D-SERIES DRM
SCM 4CO ECO**

Weidmüller Interface GmbH & Co. KG
 Klingenbergstraße 26
 D-32758 Detmold
 Germany
 Fon: +49 5231 14-0
 Fax: +49 5231 14-292083
 www.weidmueller.com

Technical data**Connection data**

Wire connection method	Screw connection	Stripping length, rated connection	7 mm
Tightening torque, min.	0.5 Nm	Tightening torque, max.	0.8 Nm
Clamping range, min.	0.5 mm ²	Clamping range, max.	2.5 mm ²
Wire cross-section, solid, min.	0.5 mm ²	Wire cross-section, solid, max.	2.5 mm ²
Wire connection cross-section, finely stranded, min.	0.5 mm ²	Wire connection cross section, finely stranded, max.	2.5 mm ²
Wire connection cross-section, finely stranded with wire-end ferrules DIN 46228/4, min.	0.5 mm ²	Wire connection cross-section, finely stranded with wire-end ferrules DIN 46228/4, max.	2.5 mm ²
Conductor cross-section, flexible, AEH (DIN 46228-1), min.	0.5 mm ²	Conductor cross-section, flexible, AEH (DIN 46228-1), max.	2.5 mm ²
Wire connection cross section, finely stranded, two clampable wires, min.	0.5 mm ²	Wire cross-section, finely stranded, two clampable wires, max.	1 mm ²
Blade size	size PH1		

Classifications

ETIM 6.0	EC001456	ETIM 7.0	EC001456
eClass 9.0	27-37-16-03	eClass 9.1	27-37-16-03
eClass 10.0	27-37-16-03		

Approvals

Approvals



ROHS

Conform

Downloads

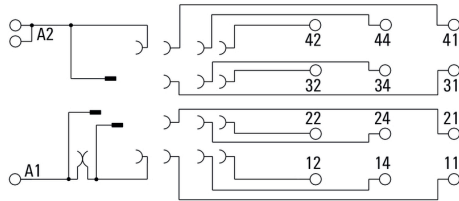
Approval/Certificate/Document of Conformity	EU Konformitätserklärung / EU Declaration of Conformity
Brochure/Catalogue	CAT 4.2 ELECTR 18/19 EN
Engineering Data	EPLAN, WSCAD
Engineering Data	STEP

**D-SERIES DRM
SCM 4CO ECO**

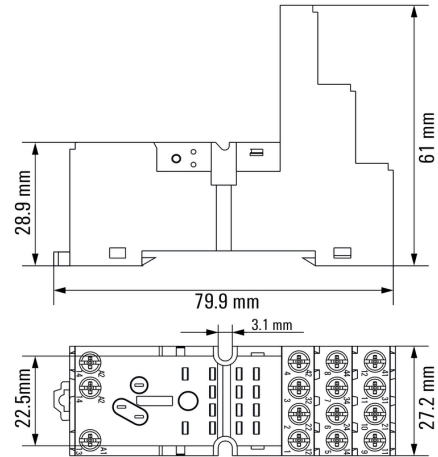
Weidmüller Interface GmbH & Co. KG
 Klingenbergstraße 26
 D-32758 Detmold
 Germany
 Fon: +49 5231 14-0
 Fax: +49 5231 14-292083
 www.weidmueller.com

Drawings

Wiring diagram



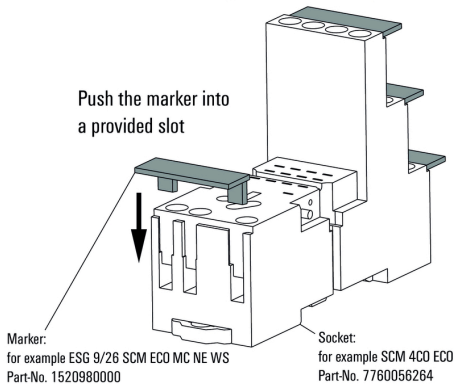
Dimensional drawing



Example of use

How to install marker

on screw connection sockets (four slots available)



How to install marker

on screw connection sockets (four slots available)

**D-SERIES DRM
SCM 4CO ECO**

Weidmüller Interface GmbH & Co. KG
 Klingenbergstraße 26
 D-32758 Detmold
 Germany
 Fon: +49 5231 14-0
 Fax: +49 5231 14-292083
 www.weidmueller.com

Mating connector (fully pluggable)**with LED and test button**

Relay from the D-SERIES DRM.

- 2 or 4 CO contacts
- Compact design
- Wide range of coil voltages
- Optional test button (AC red, DC blue)
- Optional with integrated status display (AC red, DC green) and/or free-wheel diode

General ordering data

Type	DRM570730LT	Version
Order No.	7760056104	D-SERIES DRM, Relay, Number of contacts: 4, CO contact with test button, AgNi 0,15 µm Au, Rated control voltage: 230 V AC,
GTIN (EAN)	4032248855605	Continuous current: 5 A, Plug-in connection
Qty.	20 pc(s).	
Type	DRM570048LT	Version
Order No.	7760056098	D-SERIES DRM, Relay, Number of contacts: 4, CO contact with test button, AgNi 0,15 µm Au, Rated control voltage: 48 V DC, Continuous
GTIN (EAN)	4032248855667	current: 5 A, Plug-in connection
Qty.	20 pc(s).	
Type	DRM570012LT	Version
Order No.	7760056096	D-SERIES DRM, Relay, Number of contacts: 4, CO contact with test button, AgNi 0,15 µm Au, Rated control voltage: 12 V DC, Continuous
GTIN (EAN)	4032248855681	current: 5 A, Plug-in connection
Qty.	20 pc(s).	
Type	DRM570110LT	Version
Order No.	7760056099	D-SERIES DRM, Relay, Number of contacts: 4, CO contact with test button, AgNi 0,15 µm Au, Rated control voltage: 110 V DC,
GTIN (EAN)	4032248855650	Continuous current: 5 A, Plug-in connection
Qty.	20 pc(s).	
Type	DRM570220LT	Version
Order No.	7760056100	D-SERIES DRM, Relay, Number of contacts: 4, CO contact with test button, AgNi 0,15 µm Au, Rated control voltage: 220 V DC,
GTIN (EAN)	4032248855643	Continuous current: 5 A, Plug-in connection
Qty.	20 pc(s).	
Type	DRM570024LT	Version
Order No.	7760056097	D-SERIES DRM, Relay, Number of contacts: 4, CO contact with test button, AgNi 0,15 µm Au, Rated control voltage: 24 V DC, Continuous
GTIN (EAN)	4032248855674	current: 5 A, Plug-in connection
Qty.	20 pc(s).	
Type	DRM570615LT	Version
Order No.	7760056103	D-SERIES DRM, Relay, Number of contacts: 4, CO contact with test button, AgNi 0,15 µm Au, Rated control voltage: 115 V AC,
GTIN (EAN)	4032248855612	Continuous current: 5 A, Plug-in connection
Qty.	20 pc(s).	
Type	DRM570548LT	Version
Order No.	7760056102	D-SERIES DRM, Relay, Number of contacts: 4, CO contact with test button, AgNi 0,15 µm Au, Rated control voltage: 48 V AC, Continuous
GTIN (EAN)	4032248855629	current: 5 A, Plug-in connection
Qty.	20 pc(s).	
Type	DRM570524LT	Version
Order No.	7760056101	D-SERIES DRM, Relay, Number of contacts: 4, CO contact with test button, AgNi 0,15 µm Au, Rated control voltage: 24 V AC, Continuous
GTIN (EAN)	4032248855636	current: 5 A, Plug-in connection
Qty.	20 pc(s).	

**D-SERIES DRM
SCM 4CO ECO**

Weidmüller Interface GmbH & Co. KG
 Klingenbergstraße 26
 D-32758 Detmold
 Germany
 Fon: +49 5231 14-0
 Fax: +49 5231 14-292083
 www.weidmueller.com

Mating connector (fully pluggable)**with LED**

Relay from the D-SERIES DRM.

- 2 or 4 CO contacts
- Compact design
- Wide range of coil voltages
- Optional test button (AC red, DC blue)
- Optional with integrated status display (AC red, DC green) and/or free-wheel diode

General ordering data

Type	DRM570024L	Version
Order No.	7760056088	D-SERIES DRM, Relay, Number of contacts: 4, CO contact, AgNi 0,15
GTIN (EAN)	4032248855766	µm Au, Rated control voltage: 24 V DC, Continuous current: 5 A, Plug-in connection
Qty.	20 pc(s).	
Type	DRM570730L	Version
Order No.	7760056095	D-SERIES DRM, Relay, Number of contacts: 4, CO contact, AgNi 0,15
GTIN (EAN)	4032248855698	µm Au, Rated control voltage: 230 V AC, Continuous current: 5 A, Plug-in connection
Qty.	20 pc(s).	
Type	DRM570615L	Version
Order No.	7760056094	D-SERIES DRM, Relay, Number of contacts: 4, CO contact, AgNi 0,15
GTIN (EAN)	4032248855704	µm Au, Rated control voltage: 115 V AC, Continuous current: 5 A, Plug-in connection
Qty.	20 pc(s).	
Type	DRM570048L	Version
Order No.	7760056089	D-SERIES DRM, Relay, Number of contacts: 4, CO contact, AgNi 0,15
GTIN (EAN)	4032248855759	µm Au, Rated control voltage: 48 V DC, Continuous current: 5 A, Plug-in connection
Qty.	20 pc(s).	
Type	DRM570110L	Version
Order No.	7760056090	D-SERIES DRM, Relay, Number of contacts: 4, CO contact, AgNi 0,15
GTIN (EAN)	4032248855742	µm Au, Rated control voltage: 110 V DC, Continuous current: 5 A, Plug-in connection
Qty.	20 pc(s).	
Type	DRM570524L	Version
Order No.	7760056092	D-SERIES DRM, Relay, Number of contacts: 4, CO contact, AgNi 0,15
GTIN (EAN)	4032248855728	µm Au, Rated control voltage: 24 V AC, Continuous current: 5 A, Plug-in connection
Qty.	20 pc(s).	
Type	DRM570548L	Version
Order No.	7760056093	D-SERIES DRM, Relay, Number of contacts: 4, CO contact, AgNi 0,15
GTIN (EAN)	4032248855711	µm Au, Rated control voltage: 48 V AC, Continuous current: 5 A, Plug-in connection
Qty.	20 pc(s).	
Type	DRM570012L	Version
Order No.	7760056087	D-SERIES DRM, Relay, Number of contacts: 4, CO contact, AgNi 0,15
GTIN (EAN)	4032248855773	µm Au, Rated control voltage: 12 V DC, Continuous current: 5 A, Plug-in connection
Qty.	20 pc(s).	
Type	DRM570220L	Version
Order No.	7760056091	D-SERIES DRM, Relay, Number of contacts: 4, CO contact, AgNi 0,15
GTIN (EAN)	4032248855735	µm Au, Rated control voltage: 220 V DC, Continuous current: 5 A, Plug-in connection
Qty.	20 pc(s).	

D-SERIES DRM SCM 4CO ECO

Weidmüller Interface GmbH & Co. KG
 Klingenbergstraße 26
 D-32758 Detmold
 Germany
 Fon: +49 5231 14-0
 Fax: +49 5231 14-292083
 www.weidmueller.com

Mating connector (fully pluggable)

with LED and free-wheel diode



Relay from the D-SERIES DRM.

- 2 or 4 CO contacts
- Compact design
- Wide range of coil voltages
- Optional test button (AC red, DC blue)
- Optional with integrated status display (AC red, DC green) and/or free-wheel diode

General ordering data

Type	DRM270024LD	Version
Order No.	7760056124	D-SERIES DRM, Relay, Number of contacts: 2, CO contact, AgNi 0,15
GTIN (EAN)	4032248855544	µm Au, Rated control voltage: 24 V DC, Continuous current: 10 A,
Qty.	20 pc(s).	Plug-in connection
Type	DRM270024LD	Version
Order No.	7760056077	D-SERIES DRM, Relay, Number of contacts: 2, CO contact, AgNi 0,15
GTIN (EAN)	4032248855780	µm Au, Rated control voltage: 24 V DC, Continuous current: 10 A,
Qty.	20 pc(s).	Plug-in connection

with LED



Relay from the D-SERIES DRE.

- 2 or 4 CO contacts
- Compact design
- Wide range of coil voltages
- Integrated with test button (AC red, DC blue)
- Integrated with status display (AC red, DC green) and/or free-wheel diode

General ordering data

Type	DRE570110L	Version
Order No.	7760054284	D-SERIES DRE, Relay, Number of contacts: 4, CO contact, Ag alloy,
GTIN (EAN)	6944169719929	Rated control voltage: 110 V DC, Continuous current: 3 A, Plug-in
Qty.	20 pc(s).	connection
Type	DRE570048L	Version
Order No.	7760054283	D-SERIES DRE, Relay, Number of contacts: 4, CO contact, Ag alloy,
GTIN (EAN)	6944169719912	Rated control voltage: 48 V DC, Continuous current: 3 A, Plug-in
Qty.	20 pc(s).	connection
Type	DRE570524L	Version
Order No.	7760054285	D-SERIES DRE, Relay, Number of contacts: 4, CO contact, Ag alloy,
GTIN (EAN)	6944169719936	Rated control voltage: 24 V AC, Continuous current: 3 A, Plug-in
Qty.	20 pc(s).	connection
Type	DRE570024L	Version
Order No.	7760054282	D-SERIES DRE, Relay, Number of contacts: 4, CO contact, Ag alloy,
GTIN (EAN)	6944169719905	Rated control voltage: 24 V DC, Continuous current: 3 A, Plug-in
Qty.	20 pc(s).	connection

**D-SERIES DRM
SCM 4CO ECO**

Weidmüller Interface GmbH & Co. KG
 Klingenbergstraße 26
 D-32758 Detmold
 Germany
 Fon: +49 5231 14-0
 Fax: +49 5231 14-292083
 www.weidmueller.com

Mating connector (fully pluggable)

Type	DRE570730L	Version
Order No.	7760054288	D-SERIES DRE, Relay, Number of contacts: 4, CO contact, Ag alloy,
GTIN (EAN)	6944169719967	Rated control voltage: 230 V AC, Continuous current: 3 A, Plug-in
Qty.	20 pc(s).	connection
Type	DRE570548L	Version
Order No.	7760054286	D-SERIES DRE, Relay, Number of contacts: 4, CO contact, Ag alloy,
GTIN (EAN)	6944169719943	Rated control voltage: 48 V AC, Continuous current: 3 A, Plug-in
Qty.	20 pc(s).	connection
Type	DRE570012L	Version
Order No.	7760054281	D-SERIES DRE, Relay, Number of contacts: 4, CO contact, Ag alloy,
GTIN (EAN)	6944169719899	Rated control voltage: 12 V DC, Continuous current: 3 A, Plug-in
Qty.	20 pc(s).	connection
Type	DRE570615L	Version
Order No.	7760054287	D-SERIES DRE, Relay, Number of contacts: 4, CO contact, Ag alloy,
GTIN (EAN)	6944169719950	Rated control voltage: 115 V AC, Continuous current: 3 A, Plug-in
Qty.	20 pc(s).	connection

with LED and test button

Relay from the D-SERIES DRM.

- 2 or 4 CO contacts
- Compact design
- Wide range of coil voltages
- Optional test button (AC red, DC blue)
- Optional with integrated status display (AC red, DC green) and/or free-wheel diode

General ordering data

Type	DRM270730LT	Version
Order No.	7760056076	D-SERIES DRM, Relay, Number of contacts: 2, CO contact with
GTIN (EAN)	4032248855797	test button, AgNi 0,15 µm Au, Rated control voltage: 230 V AC,
Qty.	20 pc(s).	Continuous current: 10 A, Plug-in connection
Type	DRM270024LT	Version
Order No.	7760056069	D-SERIES DRM, Relay, Number of contacts: 2, CO contact with test
GTIN (EAN)	4032248855865	button, AgNi 0,15 µm Au, Rated control voltage: 24 V DC, Continuous
Qty.	20 pc(s).	current: 10 A, Plug-in connection
Type	DRM270110LT	Version
Order No.	7760056071	D-SERIES DRM, Relay, Number of contacts: 2, CO contact with
GTIN (EAN)	4032248855841	test button, AgNi 0,15 µm Au, Rated control voltage: 110 V DC,
Qty.	20 pc(s).	Continuous current: 10 A, Plug-in connection
Type	DRM270012LT	Version
Order No.	7760056068	D-SERIES DRM, Relay, Number of contacts: 2, CO contact with test
GTIN (EAN)	4032248855872	button, AgNi 0,15 µm Au, Rated control voltage: 12 V DC, Continuous
Qty.	20 pc(s).	current: 10 A, Plug-in connection
Type	DRM270220LT	Version
Order No.	7760056072	D-SERIES DRM, Relay, Number of contacts: 2, CO contact with
GTIN (EAN)	4032248855834	test button, AgNi 0,15 µm Au, Rated control voltage: 220 V DC,
Qty.	20 pc(s).	Continuous current: 10 A, Plug-in connection

**D-SERIES DRM
SCM 4CO ECO**

Weidmüller Interface GmbH & Co. KG
 Klingenbergstraße 26
 D-32758 Detmold
 Germany
 Fon: +49 5231 14-0
 Fax: +49 5231 14-292083
 www.weidmueller.com

Mating connector (fully pluggable)

Type	DRM270048LT	Version
Order No.	7760056070	D-SERIES DRM, Relay, Number of contacts: 2, CO contact with test
GTIN (EAN)	4032248855858	button, AgNi 0,15 µm Au, Rated control voltage: 48 V DC, Continuous
Qty.	20 pc(s).	current: 10 A, Plug-in connection
Type	DRM270548LT	Version
Order No.	7760056074	D-SERIES DRM, Relay, Number of contacts: 2, CO contact with test
GTIN (EAN)	4032248855810	button, AgNi 0,15 µm Au, Rated control voltage: 48 V AC, Continuous
Qty.	20 pc(s).	current: 10 A, Plug-in connection
Type	DRM270524LT	Version
Order No.	7760056073	D-SERIES DRM, Relay, Number of contacts: 2, CO contact with test
GTIN (EAN)	4032248855827	button, AgNi 0,15 µm Au, Rated control voltage: 24 V AC, Continuous
Qty.	20 pc(s).	current: 10 A, Plug-in connection
Type	DRM270615LT	Version
Order No.	7760056075	D-SERIES DRM, Relay, Number of contacts: 2, CO contact with
GTIN (EAN)	4032248855803	test button, AgNi 0,15 µm Au, Rated control voltage: 115 V AC,
Qty.	20 pc(s).	Continuous current: 10 A, Plug-in connection

with LED

Relay from the D-SERIES DRM.

- 2 or 4 CO contacts
- Compact design
- Wide range of coil voltages
- Optional test button (AC red, DC blue)
- Optional with integrated status display (AC red, DC green) and/or free-wheel diode

General ordering data

Type	DRM570024L AU	Version
Order No.	7760056187	D-SERIES DRM, Relay, Number of contacts: 4, CO contact, AgNi 5µm
GTIN (EAN)	4032248922260	Au, Rated control voltage: 24 V DC, Continuous current: 5 A, Plug-in
Qty.	20 pc(s).	connection
Type	DRM570730L AU	Version
Order No.	7760056188	D-SERIES DRM, Relay, Number of contacts: 4, CO contact, AgNi 5µm
GTIN (EAN)	4032248922277	Au, Rated control voltage: 230 V AC, Continuous current: 5 A, Plug-in
Qty.	20 pc(s).	connection

**D-SERIES DRM
SCM 4CO ECO**

Weidmüller Interface GmbH & Co. KG
 Klingenbergstraße 26
 D-32758 Detmold
 Germany
 Fon: +49 5231 14-0
 Fax: +49 5231 14-292083
 www.weidmueller.com

Mating connector (fully pluggable)**standard relay**

Relay from the D-SERIES DRM.

- 2 or 4 CO contacts
- Compact design
- Wide range of coil voltages
- Optional test button (AC red, DC blue)
- Optional with integrated status display (AC red, DC green) and/or free-wheel diode

General ordering data

Type	DRM570220	Version
Order No.	7760056082	D-SERIES DRM, Relay, Number of contacts: 4, CO contact, AgNi 0,15
GTIN (EAN)	4032248855 162	µm Au, Rated control voltage: 220 V DC, Continuous current: 5 A,
Qty.	20 pc(s).	Plug-in connection
Type	DRM570048	Version
Order No.	7760056080	D-SERIES DRM, Relay, Number of contacts: 4, CO contact, AgNi 0,15
GTIN (EAN)	4032248855 148	µm Au, Rated control voltage: 48 V DC, Continuous current: 5 A, Plug-
Qty.	20 pc(s).	in connection
Type	DRM570524	Version
Order No.	7760056083	D-SERIES DRM, Relay, Number of contacts: 4, CO contact, AgNi 0,15
GTIN (EAN)	4032248855 186	µm Au, Rated control voltage: 24 V AC, Continuous current: 5 A, Plug-
Qty.	20 pc(s).	in connection
Type	DRM570024	Version
Order No.	7760056079	D-SERIES DRM, Relay, Number of contacts: 4, CO contact, AgNi 0,15
GTIN (EAN)	4032248855 124	µm Au, Rated control voltage: 24 V DC, Continuous current: 5 A, Plug-
Qty.	20 pc(s).	in connection
Type	DRM570012	Version
Order No.	7760056078	D-SERIES DRM, Relay, Number of contacts: 4, CO contact, AgNi 0,15
GTIN (EAN)	4032248855 117	µm Au, Rated control voltage: 12 V DC, Continuous current: 5 A, Plug-
Qty.	20 pc(s).	in connection
Type	DRM570548	Version
Order No.	7760056084	D-SERIES DRM, Relay, Number of contacts: 4, CO contact, AgNi 0,15
GTIN (EAN)	4032248855 193	µm Au, Rated control voltage: 48 V AC, Continuous current: 5 A, Plug-
Qty.	20 pc(s).	in connection
Type	DRM570615	Version
Order No.	7760056085	D-SERIES DRM, Relay, Number of contacts: 4, CO contact, AgNi 0,15
GTIN (EAN)	4032248855 230	µm Au, Rated control voltage: 115 V AC, Continuous current: 5 A,
Qty.	20 pc(s).	Plug-in connection
Type	DRM570730	Version
Order No.	7760056086	D-SERIES DRM, Relay, Number of contacts: 4, CO contact, AgNi 0,15
GTIN (EAN)	4032248855 254	µm Au, Rated control voltage: 230 V AC, Continuous current: 5 A,
Qty.	20 pc(s).	Plug-in connection
Type	DRM570110	Version
Order No.	7760056081	D-SERIES DRM, Relay, Number of contacts: 4, CO contact, AgNi 0,15
GTIN (EAN)	4032248855 131	µm Au, Rated control voltage: 110 V DC, Continuous current: 5 A,
Qty.	20 pc(s).	Plug-in connection

**D-SERIES DRM
SCM 4CO ECO**

Weidmüller Interface GmbH & Co. KG
 Klingenbergstraße 26
 D-32758 Detmold
 Germany
 Fon: +49 5231 14-0
 Fax: +49 5231 14-292083
 www.weidmueller.com

Mating connector (fully pluggable)
with LED and test button


Relay from the D-SERIES DRM.

- 2 or 4 CO contacts
- Compact design
- Wide range of coil voltages
- Optional test button (AC red, DC blue)
- Optional with integrated status display (AC red, DC green) and/or free-wheel diode

General ordering data

Type	DRM570730LT AU	Version
Order No.	7760056190	D-SERIES DRM, Relay, Number of contacts: 4, CO contact with test button, AgNi 5µm Au, Rated control voltage: 230 V AC, Continuous current: 5 A, Plug-in connection
GTIN (EAN)	4032248922291	
Qty.	20 pc(s).	
Type	DRM570024LT AU	Version
Order No.	7760056189	D-SERIES DRM, Relay, Number of contacts: 4, CO contact with test button, AgNi 5µm Au, Rated control voltage: 24 V DC, Continuous current: 5 A, Plug-in connection
GTIN (EAN)	4032248922284	
Qty.	20 pc(s).	
Type	DRM570220LT AU	Version
Order No.	7760056287	D-SERIES DRM, Relay, Number of contacts: 4 CO contact with test button AgNi 5µm Au, Rated control voltage: 220 V DC, Continuous current: 5 A, Plug-in connection
GTIN (EAN)	6944169722516	
Qty.	20 pc(s).	

with LED and free-wheel diode


Relay from the D-SERIES DRE.

- 2 or 4 CO contacts
- Compact design
- Wide range of coil voltages
- Integrated with test button (AC red, DC blue)
- Integrated with status display (AC red, DC green) and/or free-wheel diode

General ordering data

Type	DRE570024LD	Version
Order No.	7760054289	D-SERIES DRE, Relay, Number of contacts: 4, CO contact, Ag alloy, Rated control voltage: 24 V DC, Continuous current: 3 A, Plug-in connection
GTIN (EAN)	6944169719974	
Qty.	20 pc(s).	

**D-SERIES DRM
SCM 4CO ECO**

Weidmüller Interface GmbH & Co. KG
 Klingenbergstraße 26
 D-32758 Detmold
 Germany
 Fon: +49 5231 14-0
 Fax: +49 5231 14-292083
 www.weidmueller.com

Mating connector (fully pluggable)**standard relay**

Relay from the D-SERIES DRM.

- 2 or 4 CO contacts
- Compact design
- Wide range of coil voltages
- Optional test button (AC red, DC blue)
- Optional with integrated status display (AC red, DC green) and/or free-wheel diode

General ordering data

Type	DRM270730	Version
Order No.	7760056058	D-SERIES DRM, Relay, Number of contacts: 2, CO contact, AgNi 0,15
GTIN (EAN)	4032248855971	µm Au, Rated control voltage: 230 V AC, Continuous current: 10 A,
Qty.	20 pc(s).	Plug-in connection
Type	DRM270012	Version
Order No.	7760056050	D-SERIES DRM, Relay, Number of contacts: 2, CO contact, AgNi 0,15
GTIN (EAN)	4032248856053	µm Au, Rated control voltage: 12 V DC, Continuous current: 10 A,
Qty.	20 pc(s).	Plug-in connection
Type	DRM270110	Version
Order No.	7760056053	D-SERIES DRM, Relay, Number of contacts: 2, CO contact, AgNi 0,15
GTIN (EAN)	4032248856022	µm Au, Rated control voltage: 110 V DC, Continuous current: 10 A,
Qty.	20 pc(s).	Plug-in connection
Type	DRM270548	Version
Order No.	7760056056	D-SERIES DRM, Relay, Number of contacts: 2, CO contact, AgNi 0,15
GTIN (EAN)	4032248855995	µm Au, Rated control voltage: 48 V AC, Continuous current: 10 A,
Qty.	20 pc(s).	Plug-in connection
Type	DRM270024	Version
Order No.	7760056051	D-SERIES DRM, Relay, Number of contacts: 2, CO contact, AgNi 0,15
GTIN (EAN)	4032248856046	µm Au, Rated control voltage: 24 V DC, Continuous current: 10 A,
Qty.	20 pc(s).	Plug-in connection
Type	DRM270524	Version
Order No.	7760056055	D-SERIES DRM, Relay, Number of contacts: 2, CO contact, AgNi 0,15
GTIN (EAN)	4032248856008	µm Au, Rated control voltage: 24 V AC, Continuous current: 10 A,
Qty.	20 pc(s).	Plug-in connection
Type	DRM270615	Version
Order No.	7760056057	D-SERIES DRM, Relay, Number of contacts: 2, CO contact, AgNi 0,15
GTIN (EAN)	4032248855988	µm Au, Rated control voltage: 115 V AC, Continuous current: 10 A,
Qty.	20 pc(s).	Plug-in connection
Type	DRM270048	Version
Order No.	7760056052	D-SERIES DRM, Relay, Number of contacts: 2, CO contact, AgNi 0,15
GTIN (EAN)	4032248856039	µm Au, Rated control voltage: 48 V DC, Continuous current: 10 A,
Qty.	20 pc(s).	Plug-in connection
Type	DRM270220	Version
Order No.	7760056054	D-SERIES DRM, Relay, Number of contacts: 2, CO contact, AgNi 0,15
GTIN (EAN)	4032248856015	µm Au, Rated control voltage: 220 V DC, Continuous current: 10 A,
Qty.	20 pc(s).	Plug-in connection

D-SERIES DRM SCM 4CO ECO

Weidmüller Interface GmbH & Co. KG
 Klingenbergstraße 26
 D-32758 Detmold
 Germany
 Fon: +49 5231 14-0
 Fax: +49 5231 14-292083
 www.weidmueller.com

Mating connector (fully pluggable)

with LED and test button



Relay from the D-SERIES DRM.

- 2 or 4 CO contacts
- Compact design
- Wide range of coil voltages
- Optional test button (AC red, DC blue)
- Optional with integrated status display (AC red, DC green) and/or free-wheel diode

General ordering data

Type	DRM270730LT AU	Version
Order No.	7760056186	D-SERIES DRM, Relay, Number of contacts: 2, CO contact with test button, AgNi 5µm Au, Rated control voltage: 230 V AC, Continuous current: 10 A, Plug-in connection
GTIN (EAN)	4032248922253	
Qty.	20 pc(s).	
Type	DRM270024LT AU	Version
Order No.	7760056185	D-SERIES DRM, Relay, Number of contacts: 2, CO contact with test button, AgNi 5µm Au, Rated control voltage: 24 V DC, Continuous current: 10 A, Plug-in connection
GTIN (EAN)	4032248922246	
Qty.	20 pc(s).	

with LED



Relay from the D-SERIES DRM.

- 2 or 4 CO contacts
- Compact design
- Wide range of coil voltages
- Optional test button (AC red, DC blue)
- Optional with integrated status display (AC red, DC green) and/or free-wheel diode

General ordering data

Type	DRM270024L	Version
Order No.	7760056060	D-SERIES DRM, Relay, Number of contacts: 2, CO contact, AgNi 0,15 µm Au, Rated control voltage: 24 V DC, Continuous current: 10 A, Plug-in connection
GTIN (EAN)	4032248855957	
Qty.	20 pc(s).	
Type	DRM270048L	Version
Order No.	7760056061	D-SERIES DRM, Relay, Number of contacts: 2, CO contact, AgNi 0,15 µm Au, Rated control voltage: 48 V DC, Continuous current: 10 A, Plug-in connection
GTIN (EAN)	4032248855940	
Qty.	20 pc(s).	
Type	DRM270110L	Version
Order No.	7760056062	D-SERIES DRM, Relay, Number of contacts: 2, CO contact, AgNi 0,15 µm Au, Rated control voltage: 110 V DC, Continuous current: 10 A, Plug-in connection
GTIN (EAN)	4032248855933	
Qty.	20 pc(s).	
Type	DRM270730L	Version
Order No.	7760056067	D-SERIES DRM, Relay, Number of contacts: 2, CO contact, AgNi 0,15 µm Au, Rated control voltage: 230 V AC, Continuous current: 10 A, Plug-in connection
GTIN (EAN)	4032248855889	
Qty.	20 pc(s).	

**D-SERIES DRM
SCM 4CO ECO**

Weidmüller Interface GmbH & Co. KG
 Klingenbergstraße 26
 D-32758 Detmold
 Germany
 Fon: +49 5231 14-0
 Fax: +49 5231 14-292083
 www.weidmueller.com

Mating connector (fully pluggable)

Type	DRM270548L	Version
Order No.	7760056065	D-SERIES DRM, Relay, Number of contacts: 2, CO contact, AgNi 0,15
GTIN (EAN)	4032248855902	µm Au, Rated control voltage: 48 V AC, Continuous current: 10 A,
Qty.	20 pc(s).	Plug-in connection
Type	DRM270615L	Version
Order No.	7760056066	D-SERIES DRM, Relay, Number of contacts: 2, CO contact, AgNi 0,15
GTIN (EAN)	4032248855896	µm Au, Rated control voltage: 115 V AC, Continuous current: 10 A,
Qty.	20 pc(s).	Plug-in connection
Type	DRM270125L	Version
Order No.	7760056115	D-SERIES DRM, Relay, Number of contacts: 2, CO contact, AgNi 0,15
GTIN (EAN)	4032248883110	µm Au, Rated control voltage: 125 V DC, Continuous current: 10 A,
Qty.	20 pc(s).	Plug-in connection
Type	DRM270220L	Version
Order No.	7760056063	D-SERIES DRM, Relay, Number of contacts: 2, CO contact, AgNi 0,15
GTIN (EAN)	4032248855926	µm Au, Rated control voltage: 220 V DC, Continuous current: 10 A,
Qty.	20 pc(s).	Plug-in connection
Type	DRM270012L	Version
Order No.	7760056059	D-SERIES DRM, Relay, Number of contacts: 2, CO contact, AgNi 0,15
GTIN (EAN)	4032248855964	µm Au, Rated control voltage: 12 V DC, Continuous current: 10 A,
Qty.	20 pc(s).	Plug-in connection
Type	DRM270524L	Version
Order No.	7760056064	D-SERIES DRM, Relay, Number of contacts: 2, CO contact, AgNi 0,15
GTIN (EAN)	4032248855919	µm Au, Rated control voltage: 24 V AC, Continuous current: 10 A,
Qty.	20 pc(s).	Plug-in connection

with LED

Relay from the D-SERIES DRM.

- 2 or 4 CO contacts
- Compact design
- Wide range of coil voltages
- Optional test button (AC red, DC blue)
- Optional with integrated status display (AC red, DC green) and/or free-wheel diode

General ordering data

Type	DRM270024L AU	Version
Order No.	7760056183	D-SERIES DRM, Relay, Number of contacts: 2, CO contact, AgNi 5µm
GTIN (EAN)	4032248922222	Au, Rated control voltage: 24 V DC, Continuous current: 10 A, Plug-in
Qty.	20 pc(s).	connection
Type	DRM270730L AU	Version
Order No.	7760056184	D-SERIES DRM, Relay, Number of contacts: 2, CO contact, AgNi 5µm
GTIN (EAN)	4032248922239	Au, Rated control voltage: 230 V AC, Continuous current: 10 A, Plug-
Qty.	20 pc(s).	in connection

D-SERIES DRM SCM 4CO ECO

Weidmüller Interface GmbH & Co. KG
 Klingenbergstraße 26
 D-32758 Detmold
 Germany
 Fon: +49 5231 14-0
 Fax: +49 5231 14-292083
 www.weidmueller.com

Mating connector (fully pluggable)

with LED and free-wheel diode



Relay from the D-SERIES DRM.

- 2 or 4 CO contacts
- Compact design
- Wide range of coil voltages
- Optional test button (AC red, DC blue)
- Optional with integrated status display (AC red, DC green) and/or free-wheel diode

General ordering data

Type	DRM570024LD	Version
Order No.	7760056123	D-SERIES DRM, Relay, Number of contacts: 4, CO contact, AgNi 0,15
GTIN (EAN)	4032248855551	µm Au, Rated control voltage: 24 V DC, Continuous current: 5 A, Plug-
Qty.	20 pc(s).	in connection
Type	DRM570024LD	Version
Order No.	7760056105	D-SERIES DRM, Relay, Number of contacts: 4, CO contact, AgNi 0,15
GTIN (EAN)	4032248855599	µm Au, Rated control voltage: 24 V DC, Continuous current: 5 A, Plug-
Qty.	20 pc(s).	in connection

**D-SERIES DRM
SCM 4CO ECO**

Weidmüller Interface GmbH & Co. KG
Klingenbergstraße 26
D-32758 Detmold
Germany
Fon: +49 5231 14-0
Fax: +49 5231 14-292083
www.weidmueller.com

Accessories

Crosshead screwdriver, Phillips



VDE insulated screwdriver sets, for working on live parts up to 1000 V AC and 1500 V DC, DIN EN 60900. IEC 900. Each piece is "GS" safety tested. Blade made from fully hardened, high-alloy chromium-vanadium-molybdenum steel, gun-metal finish.

General ordering data

Type	SDIK PH1 SL	Version
Order No.	1274710000	Mounting tool, Blade length: 80 mm
GTIN (EAN)	4050118073249	
Qty.	1 pc(s).	

Retaining clip



Accessories for D-SERIES relays include:

- Relay bases
- LED / Protective modules
- Metal retaining clips

General ordering data

Type	SCM CLIP P	Version
Order No.	7760056367	D-SERIES DRM, Retaining clip
GTIN (EAN)	6944169773334	
Qty.	5 pc(s).	
Type	DRM/DRL CLIP M	Version
Order No.	7760056108	D-SERIES, Retaining clip
GTIN (EAN)	4032248855568	
Qty.	20 pc(s).	

**D-SERIES DRM
SCM 4CO ECO**

Weidmüller Interface GmbH & Co. KG
Klingenbergstraße 26
D-32758 Detmold
Germany
Fon: +49 5231 14-0
Fax: +49 5231 14-292083
www.weidmueller.com

Accessories

Crosshead screwdriver Phillips

Crosshead screwdriver, Phillips, SDK PH DIN 5262, ISO 8764/2-PH, output to ISO 8764-PH, ChromTop tip, SoftFinish grip



General ordering data

Type	SDK PH1	Version
Order No.	9008480000	Screwdriver, Blade width (B): 4.5 mm, Blade length: 80 mm
GTIN (EAN)	4032248056477	
Qty.	1 pc(s).	

Cross-connection for base with screw connection



You place stringent demands on your relay combinations in industrial environments. Our D-SERIES relay modules were designed specifically for challenging industrial applications. Let's connect. In many industrial applications voltages between 110 and 220 V are used to control actuators. With load currents exceeding 100 mA these high voltages produce arcing that causes a great deal of wear on the relay contacts. We have designed our D-SERIES relay modules specifically for universal usage in a wide range of industrial applications. They are much more reliable than conventional solutions, which minimises costs for maintenance and replacement. Thanks to series connected contacts, built-in blow magnets and low-wear contacts, arcing is effectively suppressed with D-SERIES products – resulting in a noticeably longer service life.

General ordering data

Type	SCM-I QV S	Version
Order No.	1132080000	RIDERSERIES RCM, Cross-connector
GTIN (EAN)	4032248912193	
Qty.	10 pc(s).	

D-SERIES DRM SCM 4CO ECO

Weidmüller Interface GmbH & Co. KG
 Klingenbergstraße 26
 D-32758 Detmold
 Germany
 Fon: +49 5231 14-0
 Fax: +49 5231 14-292083
 www.weidmueller.com

Accessories

Protection modules



Accessories for D-SERIES relays include:

- Relay bases
- LED / Protective modules
- Metal retaining clips

General ordering data

Type	RIM 3 110/230VAC	Version
Order No.	7760056014	D-SERIES, RC filter, Rated control voltage: 110...230 V AC, Plug-in connection
GTIN (EAN)	4032248878109	
Qty.	10 pc(s).	
Type	RIM 1 6/230VDC	Version
Order No.	7760056169	D-SERIES, Free-wheeling diode, Rated control voltage: 6...230 V, Plug-in connection
GTIN (EAN)	4032248967728	
Qty.	10 pc(s).	
Type	RIM 3 110/230VAC LED	Version
Order No.	7760056045	D-SERIES, RC filter, Rated control voltage: 110...230 V AC, Plug-in connection
GTIN (EAN)	4032248878147	
Qty.	10 pc(s).	

LED / free-wheel diode



Accessories for D-SERIES relays include:

- Relay bases
- LED / Protective modules
- Metal retaining clips

General ordering data

Type	RIM 2 24/60VDC	Version
Order No.	7760056016	D-SERIES, LED module with freewheel diode, Rated control voltage: 24...60 V DC, Plug-in connection
GTIN (EAN)	4032248878123	
Qty.	10 pc(s).	
Type	RIM 2 110/230VDC	Version
Order No.	7760056017	D-SERIES, LED module with freewheel diode, Rated control voltage: 110...230 V DC, Plug-in connection
GTIN (EAN)	4032248896615	
Qty.	10 pc(s).	
Type	RIM 2 6/24VDC	Version
Order No.	7760056015	D-SERIES, LED module with freewheel diode, Rated control voltage: 6...24 V DC, Plug-in connection
GTIN (EAN)	4032248878116	
Qty.	10 pc(s).	

D-SERIES DRM SCM 4CO ECO

Weidmüller Interface GmbH & Co. KG
 Klingenbergstraße 26
 D-32758 Detmold
 Germany
 Fon: +49 5231 14-0
 Fax: +49 5231 14-292083
 www.weidmueller.com

Accessories

Crosshead screwdriver Phillips

VDE insulated crosshead screwdriver, for Phillips screws, SDIK PH DIN 7438, ISO 8764/2-PH, output to ISO 8764-PH, SoftFinish grip



General ordering data

Type	SDIK PH1	Version
Order No.	9008570000	Screwdriver, Blade length: 80 mm
GTIN (EAN)	4032248056569	
Qty.	1 pc(s).	

LED

Accessories for D-SERIES relays include:

- Relay bases
- LED / Protective modules
- Metal retaining clips



General ordering data

Type	RIM 3 24/60VUC	Version
Order No.	7760056018	D-SERIES, LED module, Rated control voltage: 24...60 V UC, Plug-in connection
GTIN (EAN)	4032248878130	
Qty.	10 pc(s).	
Type	RIM 3 110/230VUC	Version
Order No.	7940018455	D-SERIES, LED module, Rated control voltage: 110...230 V UC, Plug-in connection
GTIN (EAN)	4032248878185	
Qty.	20 pc(s).	
Type	RIM 3 6/24VUC	Version
Order No.	7940018457	D-SERIES, LED module, Rated control voltage: 6...24 V UC, Plug-in connection
GTIN (EAN)	4032248878192	
Qty.	20 pc(s).	

D-SERIES DRM SCM 4CO ECO

Weidmüller Interface GmbH & Co. KG
 Klingenbergstraße 26
 D-32758 Detmold
 Germany
 Fon: +49 5231 14-0
 Fax: +49 5231 14-292083
 www.weidmueller.com

Accessories

MultiCard



The Weidmüller device markers enable users to conform to obligatory equipment labelling regulations. Users can label the device markers themselves by means of suitable software and system-compatible printer systems. ESG is the tried-and-tested marker in MultiCard format. The result is high-quality device marking with a high-contrast appearance.

ESG 9/26 SCM ECO MC... for marking D-SERIES DRM relay sockets:

- Attachable MultiCard markers
- Depending on the relay socket it is attachable on up to 4 levels
- Additional option for attaching the marker on plastic retaining clip: SCM CLIP P
- PrintJet printable

General ordering data

Type	ESG 9/26 SCM ECO MC NE ...	Version
Order No.	1520990000	ESG, Device markers x 26 mm, PA 66, Colour: yellow
GTIN (EAN)	4050118327861	
Qty.	80 pc(s).	
Type	ESG 9/26 SCM ECO MC SDR	Version
Order No.	1525800000	ESG, Device markers x 26 mm, PA 66, Colour: To customer specification
GTIN (EAN)	4050118331875	
Qty.	80 pc(s).	
Type	ESG 9/26 SCM ECO MC NE ...	Version
Order No.	1521000000	ESG, Device markers x 26 mm, PA 66, Colour: grey
GTIN (EAN)	4050118327878	
Qty.	80 pc(s).	
Type	ESG 9/26 SCM ECO MC NE ...	Version
Order No.	1520980000	ESG, Device markers x 26 mm, PA 66, Colour: white
GTIN (EAN)	4050118327939	
Qty.	80 pc(s).	