

**CMA-Series
RCMA-B22-D125-4.5****Weidmüller Interface GmbH & Co. KG**
Klingenbergstraße 26
D-32758 Detmold
Germany
Fon: +49 5231 14-0
Fax: +49 5231 14-292083
www.weidmueller.com**Rogowski coil**

A Rogowski coil is a closed air coil without a ferromagnetic core used for floating potential measurement of AC and pulse currents. Measurement with the Rogowski coil is used widely in technology, as it can be retroactively integrated without separating the primary electric circuit in existing systems. Because this method shows no saturation effect, even the smallest currents and high-frequency harmonics can be measured without loss of accuracy.

General ordering data

Type	RCMA-B22-D125-4.5
Order No.	2593350000
Version	Rogowski coil, Diameter: 125 mm, Cable length: 4.5 m
GTIN (EAN)	4050118647778
Qty.	1 pc(s).

**CMA-Series
RCMA-B22-D125-4.5**

Weidmüller Interface GmbH & Co. KG
 Klingenbergstraße 26
 D-32758 Detmold
 Germany
 Fon: +49 5231 14-0
 Fax: +49 5231 14-292083
 www.weidmueller.com

Technical data
Dimensions and weights

Net weight	130 g	Diameter	125 mm
------------	-------	----------	--------

Temperatures

Humidity at operating temperature	5 - 90 %, no condensation	Operating temperature, max.	80 °C
Operating temperature, min.	-40 °C	Storage temperature, max.	80 °C
Storage temperature, min.	-40 °C	Operating temperature	-40 °C...80 °C
Storage temperature	-40 °C...80 °C		

Dimensions of live conductors

Installation location	Indoor use	Type of conductor	Insulated conductor only
-----------------------	------------	-------------------	--------------------------

Electrical attributes

Primary current	5,000 A	Tolerance class	0,5
-----------------	---------	-----------------	-----

Technical properties

Cable diameter	6.1 mm	Cable length	4.5 m
Coil resistance	81 Ω	Protection degree	IP57

General data

Linearity	Standard	IEC 61010-1: 2010, IEC 61869-1: 2007, IEC 61869-2: 2012, IEC 61869-6: 2016, IEC 61869-10: 2017, UL 61010-1
	no linearity error	

Insulation coordination

Clearance & creepage distances	>16 mm	Impulse withstand voltage	12.8 kV (1.2/50 ms)
Insulation voltage	7.4 kV _{RMS} (50 Hz, 1 min)	Standard	IEC 61010-1: 2010, IEC 61869-1: 2007, IEC 61869-2: 2012, IEC 61869-6: 2016, IEC 61869-10: 2017, UL 61010-1

Classifications

ETIM 6.0	EC002475	ETIM 7.0	EC002475
eClass 9.0	27-21-01-23	eClass 9.1	27-21-01-23
eClass 10.0	27-21-01-23		

Approvals

Approvals

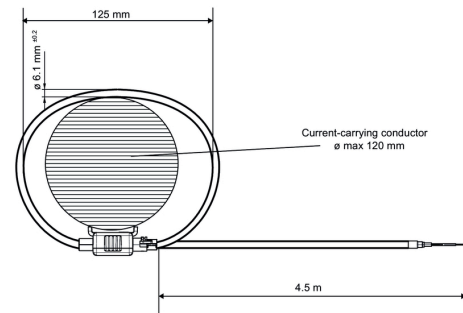


ROHS Conform

Data sheet**CMA-Series**
RCMA-B22-D125-4.5**Weidmüller Interface GmbH & Co. KG**
Klingenbergstraße 26
D-32758 Detmold
Germany
Fon: +49 5231 14-0
Fax: +49 5231 14-292083
www.weidmueller.com**Technical data****Downloads**Approval/Certificate/Document of
Conformity[Declaration of Conformity](#)

User Documentation

[Instruction sheet](#)

Data sheet**CMA-Series**
RCMA-B22-D125-4.5**Weidmüller Interface GmbH & Co. KG**
Klingenbergstraße 26
D-32758 Detmold
Germany
Fon: +49 5231 14-0
Fax: +49 5231 14-292083
www.weidmueller.com**Drawings****Dimensioned drawing**

**CMA-Series
RCMA-B22-D125-4.5**

Weidmüller Interface GmbH & Co. KG
 Klingenbergstraße 26
 D-32758 Detmold
 Germany
 Fon: +49 5231 14-0
 Fax: +49 5231 14-292083
 www.weidmueller.com

Accessories

Rogowski coils



Rogowski coil

A Rogowski coil is a closed air coil without a ferromagnetic core used for floating potential measurement of AC and pulse currents. Measurement with the Rogowski coil is used widely in technology, as it can be retroactively integrated without separating the primary electric circuit in existing systems. Because this method shows no saturation effect, even the smallest currents and high-frequency harmonics can be measured without loss of accuracy.

General ordering data

Type	RCMC-5000-AO-P	Version
Order No.	2593410000	Measuring transducer
GTIN (EAN)	4050118647754	
Qty.	1 pc(s).	