

**Cabtite (cable entry system)
CABTITE FR 10/6 BK**

Weidmüller Interface GmbH & Co. KG
Klingenbergstraße 26
D-32758 Detmold
Germany
Fon: +49 5231 14-0
Fax: +49 5231 14-292083
www.weidmueller.com



The frame, fabricated from a single piece, is quick and easy to assemble and consists of dimensionally stable, fibre-glass reinforced plastic. The captive foamed seal guarantees effective IP66 sealing in accordance with DIN EN 60529, even on painted and rough surfaces.

General ordering data

Type	CABTITE FR 10/6 BK
Order No.	2583480000
Version	Frame, Cabtite (cable entry system), Polyamide, glass fibre-reinforced, Deep black, Height: 70 mm, Width: 106 mm, Depth: 19.6 mm, -40 °C...120 °C, IP54, IP65, IP66
GTIN (EAN)	4050118616873
Qty.	1 pc(s).

Creation date May 2, 2020 2:49:14 AM CEST

**Cabtite (cable entry system)
CABTITE FR 10/6 BK**

Weidmüller Interface GmbH & Co. KG
Klingenbergstraße 26
D-32758 Detmold
Germany
Fon: +49 5231 14-0
Fax: +49 5231 14-292083
www.weidmueller.com

Technical data

Dimensions and weights

Width	106 mm	Width (inches)	4.173 inch
Height	70 mm	Height (inches)	2.756 inch
Height of lowest version	19.6 mm	Depth	19.6 mm
Depth (inches)	0.772 inch	Mounting dimension - width	32 mm
Mounting dimension - height	83 mm	Net weight	0.07 g
Diameter	5.5 mm		

General information

Tightening torque	3 Nm	Opening width	46 mm
Opening length	68.5 mm	UL 94 flammability rating	V-0
Sealing element	6 small sealing elements or 1 large sealing element and 2 small sealing elements	Halogen	No
Silicone	No	Sealing	TPE
Material	Polyamide, glass fibre-reinforced		

Classifications

ETIM 6.0	EC002624	ETIM 7.0	EC002624
eClass 9.0	27-18-28-15	eClass 9.1	27-18-92-65
eClass 10.0	27-18-28-15		

Approvals

Approvals



ROHS Conform

Downloads

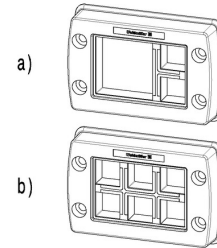
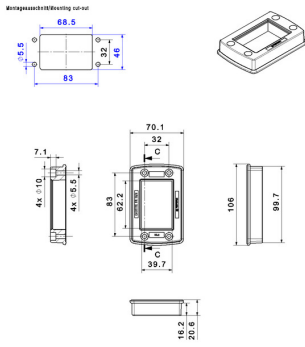
Engineering Data	EPLAN
Engineering Data	STEP
User Documentation	Cabtite Installation Instructions

**Cabtite (cable entry system)
CABTITE FR 10/6 BK**

Weidmüller Interface GmbH & Co. KG
Klingenbergstraße 26
D-32758 Detmold
Germany
Fon: +49 5231 14-0
Fax: +49 5231 14-292083
www.weidmueller.com

Drawings

Dimensioned drawing



**Cabtite (cable entry system)
CABTITE FR 10/6 BK**

Weidmüller Interface GmbH & Co. KG
Klingenbergstraße 26
D-32758 Detmold
Germany
Fon: +49 5231 14-0
Fax: +49 5231 14-292083
www.weidmueller.com

Accessories
Click inlays


The pluggable click inlays allow the frame openings to be configured as required for use with small or large sealing elements. An audible "click" confirms correct installation. This means that the Cabtite cable entry system can be variably configured for different requirements (cables, conductors, hoses, pneumatic and hydraulic lines).

General ordering data

Type	CABTITE GI H BK	Version
Order No.	2584270000	grid inlay, Cabtite (cable entry system), Polyamide, glass fibre-reinforced, Deep black, Height: 44 mm, Width: 67 mm, Depth: 17.5 mm, -40 °C...120 °C
GTIN (EAN)	4050118617122	
Qty.	5 pc(s).	
Type	CABTITE GI T BK	Version
Order No.	2584300000	grid inlay, Cabtite (cable entry system), Polyamide, glass fibre-reinforced, Deep black, Height: 25 mm, Width: 44 mm, Depth: 17.5 mm, -40 °C...120 °C
GTIN (EAN)	4050118619195	
Qty.	5 pc(s).	

Cable protection strips


The Cabtite cable entry system offers maximum flexibility in the cable management of control cabinets, enclosures and machines, while at the same time saving time, as well as providing secure sealing and strain relief for pre-terminated and non-terminated cables. Cabtite's modular design of frame, grid inlays and sealing elements enables rapid configuration of cut-outs for pre-terminated cables - without the use of tools and with a reliable sealing of IP66 according to DIN EN 60529. Frame. Inlay. Sealing element. Three basic components in the modular system guarantee highest flexibility, variability and diversity of variants.

General ordering data

Type	CABTITE CR 10/6 EMV	Version
Order No.	2583930000	Cable protection strips, Cabtite (cable entry system), Steel, galvanized, silver, Height: 35.23 mm, Width: 93 mm, Depth: 16 mm
GTIN (EAN)	4050118647044	
Qty.	10 pc(s).	

Data sheet

**Cabtite (cable entry system)
CABTITE FR 10/6 BK**

Weidmüller Interface GmbH & Co. KG
 Klingenbergstraße 26
 D-32758 Detmold
 Germany
 Fon: +49 5231 14-0
 Fax: +49 5231 14-292083
 www.weidmueller.com

Accessories

Locking frame



The frame, fabricated from a single piece, is quick and easy to assemble and consists of dimensionally stable, fibre-glass reinforced plastic. The captive foamed seal guarantees effective IP66 sealing in accordance with DIN EN 60529, even on painted and rough surfaces.

General ordering data

Type	CABTITE FRL 10/6 BK	Version
Order No.	2584240000	Locking frame, Cabtite (cable entry system), Polyamide, glass fibre-reinforced, Deep black, Height: 68.8 mm, Width: 105 mm, Depth:
GTIN (EAN)	4050118616231	11.3 mm, -40 °C...120 °C
Qty.	10 pc(s).	