

**SAIE-7/8S-4-0.4U-H****Weidmüller Interface GmbH & Co. KG**

Klingenbergstraße 26

D-32758 Detmold

Germany

Fon: +49 5231 14-0

Fax: +49 5231 14-292083

www.weidmueller.com



Various build-in connectors are required for the connections on the device side of the sensor/actuator cabling. These are available in the versions M12, M8 and M5.

**General ordering data**

Type	SAIE-7/8S-4-0.4U-H
Order No.	<a href="#">2577 160000</a>
Version	Built-in plugs, 7/8", 7/8", Number of poles: 4
GTIN (EAN)	4050118586817
Qty.	1 pc(s).

Creation date May 2, 2020 3:07:30 AM CEST

Catalogue status 17.04.2020 / We reserve the right to make technical changes.

**Data sheet**

**SAIE-7/8S-4-0.4U-H**

**Weidmüller Interface GmbH & Co. KG**  
 Klingenbergstraße 26  
 D-32758 Detmold  
 Germany  
 Fon: +49 5231 14-0  
 Fax: +49 5231 14-292083  
 www.weidmueller.com

**Technical data**

**Dimensions and weights**

Net weight 66 g

**Environmental Product Compliance**

REACH SVHC Lead 7439-92-1

**Standards**

Certificate No. (cURus) E307231

**General data**

Cable glands	7/8"	Coding	none
Conductor O.D.	-	Connection thread	7/8"
Contact material	CuZn	Contact surface	Gold-plated
Core cross-section	0.75 mm <sup>2</sup>	Housing main material	Zinc diecast, nickel-plated
Number of poles	4	Plugging cycles	≥ 100
Protection degree	IP67, when screwed in	Rated current	8 A
Rated voltage	300 V	Strand / cable length	0.4 m
Temperature range of housing	-25...+85 °C	Type of connection	Pin

**Classifications**

ETIM 6.0	EC002635	ETIM 7.0	EC003570
eClass 9.0	27-44-01-03	eClass 9.1	27-44-01-03
eClass 10.0	27-44-01-03		

**Approvals**

Approvals



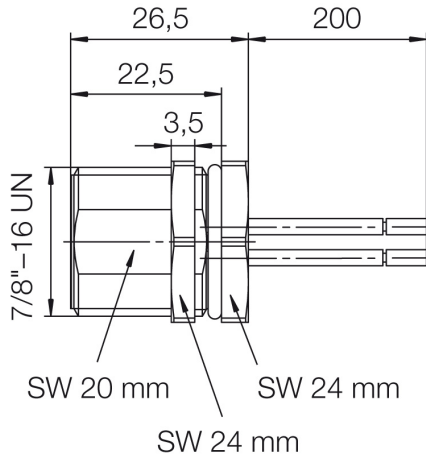
ROHS Conform

**Data sheet**

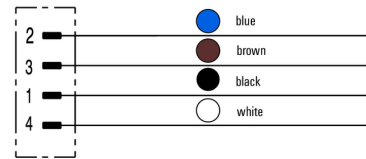
**SAIE-7/8S-4-0.4U-H**

**Weidmüller Interface GmbH & Co. KG**  
 Klingenbergstraße 26  
 D-32758 Detmold  
 Germany  
 Fon: +49 5231 14-0  
 Fax: +49 5231 14-292083  
 www.weidmueller.com

**Drawings**



**Wiring diagram**



**Pole scheme**

