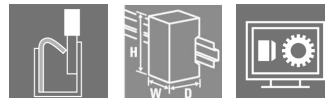


D-SERIES DRI DRIKITP 24VDC 1CO LD

Weidmüller Interface GmbH & Co. KG
 Klingenbergstraße 26
 D-32758 Detmold
 Germany
 Fon: +49 5231 14-0
 Fax: +49 5231 14-292083
 www.weidmueller.com

Product image



Similar to illustration

Our relay kits are particularly convenient to use. The kits are delivered fully assembled and 100 % function-tested. This saves assembly time and reduces the number of parts required.

- Assembled kit consisting of relay, base and retaining clip, incl. label
- 100% function-tested
- 100% control of the dielectric strength input - output
- Optional: test button with coloured control voltage marking (AC coil: red / DC coil: blue) and mechanical switch position indicator
- Bright status LED (AC coil: red / DC coil: green)

General ordering data

| | |
|------------|---|
| Type | DRIKITP 24VDC 1CO LD |
| Order No. | 2576220000 |
| Version | D-SERIES DRI, Relay module, Number of contacts: 1 CO contact AgSnO, Rated control voltage: 24 V DC, Continuous current: 10 A, PUSH IN with actuator |
| GTIN (EAN) | 4050118585988 |
| Qty. | 10 pc(s). |

Creation date May 2, 2020 3:11:22 AM CEST

Catalogue status 17.04.2020 / We reserve the right to make technical changes.

**D-SERIES DRI
DRIKITP 24VDC 1CO LD**

Weidmüller Interface GmbH & Co. KG
 Klingenbergstraße 26
 D-32758 Detmold
 Germany
 Fon: +49 5231 14-0
 Fax: +49 5231 14-292083
 www.weidmueller.com

Technical data**Dimensions and weights**

| | | | |
|------------|----------|-----------------|------------|
| Width | 15.9 mm | Width (inches) | 0.626 inch |
| Height | 102.1 mm | Height (inches) | 4.02 inch |
| Depth | 63 mm | Depth (inches) | 2.48 inch |
| Net weight | 55.302 g | | |

Temperatures

| | | | |
|-----------------------------|--|-----------------------------|----------------|
| Humidity | 35...85 % rel. humidity, no condensation | Operating temperature, max. | 55 °C |
| Operating temperature, min. | -40 °C | Storage temperature, max. | 85 °C |
| Storage temperature, min. | -40 °C | Operating temperature | -40 °C...55 °C |
| Storage temperature | -40 °C...85 °C | | |

Environmental Product Compliance

| | |
|------------|----------------|
| REACH SVHC | Lead 7439-92-1 |
|------------|----------------|

Input

| | | | |
|-----------------------|---------------------|--------------------------------|-----------------|
| Rated control voltage | 24 V DC | Rated current DC | 21,8 mA |
| Power rating | 530 mW | Pull-in/drop-out voltage, typ. | 18 V / 3.6 V DC |
| Coil resistance | 1100 Ω ± 10 % | Status indicator | Green LED |
| Protective circuit | Free-wheeling diode | | |

Output

| | | | |
|---|----------------------------|---|--------------|
| Rated switching voltage | 250 V AC | Max. switching voltage, AC | 250 V |
| Max. switching voltage, DC | 250 V | Continuous current | 10 A |
| AC switching capacity (resistive), max. | 2500 VA | DC switching capacity (resistive), max. | 240 W @ 24 V |
| Switch-on delay | ≤ 15 ms | Switch-off delay | ≤ 10 ms |
| Min. switching power | 10 mA @ 12 V, 100 mA @ 5 V | Max. switching frequency at rated load | 0.1 Hz |

Contact data

| | | | |
|--------------|----------------------|-------------------------|---------------------------------------|
| Contact type | 1 CO contact (AgSnO) | Mechanical service life | 10 x 10 ⁶ switching cycles |
|--------------|----------------------|-------------------------|---------------------------------------|

General data

| | | | |
|--------------------------------------|-------|-------------|-------|
| Rail | TS 35 | Test button | No |
| Mechanical switch position indicator | No | Colour | black |

Insulation coordination

| | | | |
|--|-----------------------------|--|-----------------------------|
| Rated voltage | 300 V | Surge voltage category | III |
| Pollution severity | 2 | Insulating material group | IIIb |
| Protection degree | IP20 | Dielectric strength, Input/Output | 5 kV _{eff} / 1 min |
| Creepage and clearance distance input – output | ≥ 3 mm | Impulse withstand voltage at neighbouring contacts | 4.8 kV (1.2/50 μs) |
| Dielectric strength of open contact | 1 kV _{eff} / 1 min | Impulse withstand voltage | 5 kV (1.2/50 μs) |

**D-SERIES DRI
DRIKITP 24VDC 1CO LD**

Weidmüller Interface GmbH & Co. KG
 Klingenbergstraße 26
 D-32758 Detmold
 Germany
 Fon: +49 5231 14-0
 Fax: +49 5231 14-292083
 www.weidmueller.com

Technical data**Further details of approvals / standards**

| | | | |
|------------------------------|--|-------------------------------|---------|
| Standards | IEC 61810-1, EN 60664-1:2007, EN 61000-6-2:2005, EN 61000-6-4:2007 + A1:2011 | Certificate no. (cURus) relay | E312083 |
| Certificate no. (cURus) base | E312083 | | |

Connection data

| | | | |
|---|-----------------------|---|----------------------|
| Wire connection method | PUSH IN with actuator | Stripping length, rated connection | 10 mm |
| Clamping range, rated connection | 1.5 mm ² | Clamping range, min. | 0.14 mm ² |
| Clamping range, max. | 1.5 mm ² | Wire connection cross section AWG, min. | AWG 26 |
| Wire connection cross section AWG, max. | AWG 16 | Wire cross-section, solid, min. | 0.14 mm ² |
| Wire cross-section, solid, max. | 1.5 mm ² | Wire connection cross-section, finely stranded, min. | 0.14 mm ² |
| Wire connection cross section, finely stranded, max. | 1.5 mm ² | Wire connection cross-section, finely stranded with wire-end ferrules DIN 46228/4, min. | 0.14 mm ² |
| Wire connection cross-section, finely stranded with wire-end ferrules DIN 46228/4, max. | 1 mm ² | Conductor cross-section, flexible, AEH (DIN 46228-1), min. | 0.14 mm ² |
| Conductor cross-section, flexible, AEH (DIN 46228-1), max. | 1.5 mm ² | Blade size | 0.4 x 2.5 mm |

Classifications

| | | | |
|-------------|-------------|------------|-------------|
| ETIM 6.0 | EC001437 | ETIM 7.0 | EC001437 |
| eClass 9.0 | 27-37-16-01 | eClass 9.1 | 27-37-16-01 |
| eClass 10.0 | 27-37-16-01 | | |

Approvals

Approvals

**Downloads**

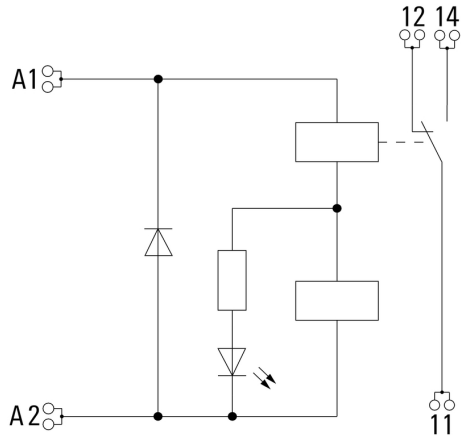
| | |
|---|---|
| Approval/Certificate/Document of Conformity | EU Konformitätserklärung / EU Declaration of Conformity |
| Engineering Data | EPLAN |
| Engineering Data | STEP |

D-SERIES DRI
DRIKITP 24VDC 1CO LD

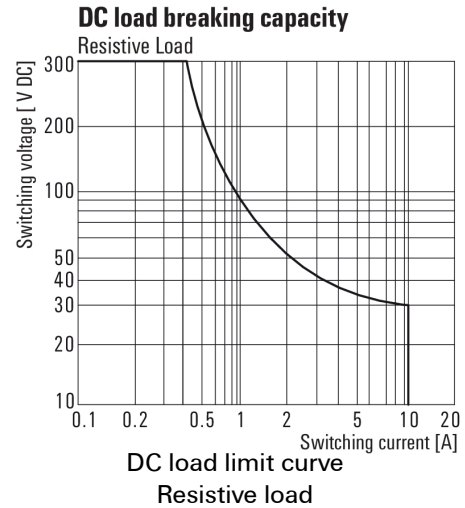
Weidmüller Interface GmbH & Co. KG
Klingenbergstraße 26
D-32758 Detmold
Germany
Fon: +49 5231 14-0
Fax: +49 5231 14-292083
www.weidmueller.com

Drawings

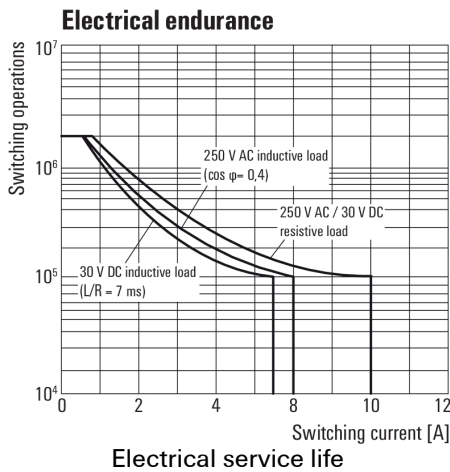
Wiring diagram



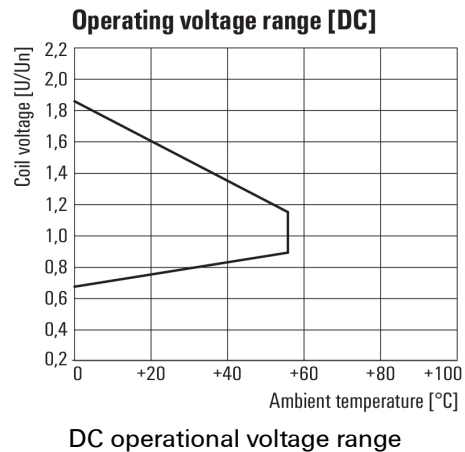
Graph



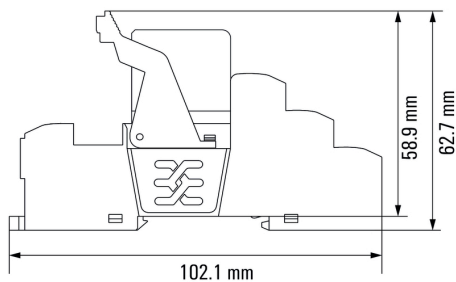
Graph



Graph



Dimensional drawing



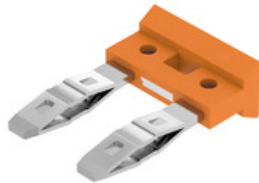
Relay in combination with base

D-SERIES DRI DRIKITP 24VDC 1CO LD

Weidmüller Interface GmbH & Co. KG
 Klingenbergstraße 26
 D-32758 Detmold
 Germany
 Fon: +49 5231 14-0
 Fax: +49 5231 14-292083
 www.weidmueller.com

Accessories

Cross-connection for base with PUSH IN connection



In an industrial environment, service work needs to be carried out quickly, simply and reliably. If components are replaced, bended relay contacts often cause errors which are difficult to locate.

As the handling of components in practice plays an increasingly important role, DRI relays have particularly stable plug contacts for quick and safe mounting. The test button with latching in end position can be operated tool-free. An easily visible, LED illuminated status display also allows clear determination of status.

Both during installation of the cabinet and during subsequent servicing in the machinery and plant engineering sector, DRI relays are the optimum coupling element for confined installation conditions.

General ordering data

| | | |
|------------|----------------------------|---------------------------|
| Type | SCM/SDI P CC | Version |
| Order No. | 7760056366 | D-SERIES, Cross-connector |
| GTIN (EAN) | 6944169773327 | |
| Qty. | 10 pc(s). | |

LED / free-wheel diode



Accessories for D-SERIES relays include:

- Relay bases
- LED / Protective modules
- Metal retaining clips

General ordering data

| | | |
|------------|----------------------------|---|
| Type | RIM 2 6/24VDC | Version |
| Order No. | 7760056015 | D-SERIES, LED module with freewheel diode, Rated control voltage: |
| GTIN (EAN) | 4032248878116 | 6...24 V DC, Plug-in connection |
| Qty. | 10 pc(s). | |
| Type | RIM 2 24/60VDC | Version |
| Order No. | 7760056016 | D-SERIES, LED module with freewheel diode, Rated control voltage: |
| GTIN (EAN) | 4032248878123 | 24...60 V DC, Plug-in connection |
| Qty. | 10 pc(s). | |

D-SERIES DRI DRIKITP 24VDC 1CO LD

Weidmüller Interface GmbH & Co. KG
 Klingenbergstraße 26
 D-32758 Detmold
 Germany
 Fon: +49 5231 14-0
 Fax: +49 5231 14-292083
 www.weidmueller.com

Accessories

LED



Accessories for D-SERIES relays include:

- Relay bases
- LED / Protective modules
- Metal retaining clips

General ordering data

| | | |
|------------|----------------------------|---|
| Type | RIM 3 24/60VUC | Version |
| Order No. | 7760056018 | D-SERIES, LED module, Rated control voltage: 24...60 V UC, Plug-in connection |
| GTIN (EAN) | 4032248878130 | |
| Qty. | 10 pc(s). | |
| Type | RIM 3 6/24VUC | Version |
| Order No. | 7940018457 | D-SERIES, LED module, Rated control voltage: 6...24 V UC, Plug-in connection |
| GTIN (EAN) | 4032248878192 | |
| Qty. | 20 pc(s). | |

MultiCard



The Weidmüller device markers enable users to conform to obligatory equipment labelling regulations. Users can label the device markers themselves by means of suitable software and system-compatible printer systems. ESG is the tried-and-tested marker in MultiCard format. The result is high-quality device marking with a high-contrast appearance.

ESG 6/15 SDI MC... for marking D-SERIES DRI relay sockets:

- Attachable MultiCard markers
- Depending on the relay socket it is attachable on up to 4 levels
- Additional option for attaching the marker on plastic retaining clip: SDI CLIP P
- PrintJet printable

General ordering data

| | | |
|------------|----------------------------|---|
| Type | ESG 6/15 SDI MC NE WS | Version |
| Order No. | 2558340000 | ESG, Device markers x 15 mm, PA 66, Colour: white |
| GTIN (EAN) | 4050118569056 | |
| Qty. | 200 pc(s). | |

Data sheet

D-SERIES DRI DRIKITP 24VDC 1CO LD

Weidmüller Interface GmbH & Co. KG
 Klingenbergstraße 26
 D-32758 Detmold
 Germany
 Fon: +49 5231 14-0
 Fax: +49 5231 14-292083
 www.weidmueller.com

Accessories

| | | |
|------------|----------------------------|---|
| Type | ESG 6/15 SDI MC SDR | Version |
| Order No. | 2558310000 | ESG, Device markers x 15 mm, PA 66, Colour: To customer |
| GTIN (EAN) | 4050118569025 | specification |
| Qty. | 40 pc(s). | |

Protection modules



Accessories for D-SERIES relays include:

- Relay bases
- LED / Protective modules
- Metal retaining clips

General ordering data

| | | |
|------------|----------------------------|--|
| Type | RIM 1 6/230VDC | Version |
| Order No. | 7760056169 | D-SERIES, Free-wheeling diode, Rated control voltage: 6...230 V, Plug- |
| GTIN (EAN) | 4032248967728 | in connection |
| Qty. | 10 pc(s). | |

Slotted screwdriver

Slotted screwdriver with rounded blade SD DIN 5265, ISO 2380/2, output to DIN 5264, ISO 2380/1. ChromTop tip, SoftFinish grip



General ordering data

| | | |
|------------|----------------------------|--|
| Type | SDS 0.4X2.5X75 | Version |
| Order No. | 9009030000 | Screwdriver, Blade width (B): 2.5 mm, Blade length: 75 mm, Blade |
| GTIN (EAN) | 4032248266944 | thickness (A): 0.4 mm |
| Qty. | 1 pc(s). | |

**D-SERIES DRI
DRIKITP 24VDC 1CO LD**

Weidmüller Interface GmbH & Co. KG
 Klingenbergstraße 26
 D-32758 Detmold
 Germany
 Fon: +49 5231 14-0
 Fax: +49 5231 14-292083
 www.weidmueller.com

Accessories

Retaining clip



Accessories for D-SERIES relays include:

- Relay bases
- LED / Protective modules
- Metal retaining clips

General ordering data

| Type | SDI CLIP LM | Version |
|------------|----------------------------|------------------------------|
| Order No. | 7760056368 | D-SERIES DRI, Retaining clip |
| GTIN (EAN) | 6944169773341 | |
| Qty. | 10 pc(s). | |

Slotted screwdriver



VDE insulated slot-head screwdriver, SDI DIN 7437, ISO 2380/2, drive output acc. to DIN 5264, ISO 2380/1. SoftFinish grip

General ordering data

| Type | SDIS 0.4X2.5X75 | Version |
|------------|----------------------------|--|
| Order No. | 9008370000 | Screwdriver, Blade width (B): 2.5 mm, Blade length: 75 mm, Blade thickness (A): 0.4 mm |
| GTIN (EAN) | 4032248056330 | |
| Qty. | 1 pc(s). | |

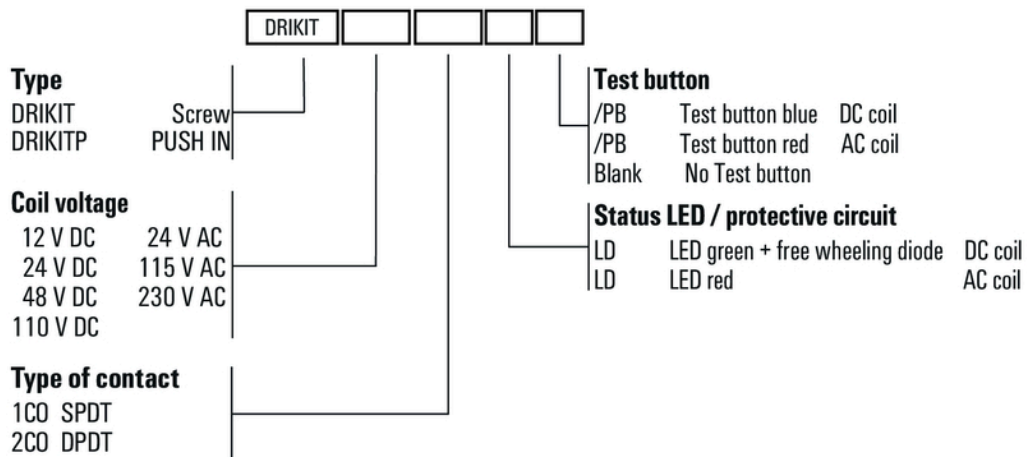
Data sheet

**D-SERIES DRI
DRIKITP 24VDC 1CO LD**

Weidmüller Interface GmbH & Co. KG
 Klingenbergstraße 26
 D-32758 Detmold
 Germany
 Fon: +49 5231 14-0
 Fax: +49 5231 14-292083
 www.weidmueller.com

Drawings

Miscellaneous



Type codes