

**HDC MBUS8 F AWG22****Weidmüller Interface GmbH & Co. KG**

Klingenbergstraße 26

D-32758 Detmold

Germany

Fon: +49 5231 14-0

Fax: +49 5231 14-292083

www.weidmueller.com

**Compact**

The new two-pole bus module is extremely compact and can accommodate both megabit and gigabit data inserts. It enables the connection of 2 Gigabit Cat 6A cables (10 gigabit) to one module.

**General ordering data**

Type	HDC MBUS8 F AWG22
Order No.	<a href="#">2565970000</a>
Version	
GTIN (EAN)	4050118575828
Qty.	100 pc(s).

**HDC MBUS8 F AWG22**

**Weidmüller Interface GmbH & Co. KG**  
 Klingenbergstraße 26  
 D-32758 Detmold  
 Germany  
 Fon: +49 5231 14-0  
 Fax: +49 5231 14-292083  
 www.weidmueller.com

**Technical data****Dimensions and weights**

Net weight	0.001 g
------------	---------

**Temperatures**

Limit temperature	-40 °C ... 90 °C
-------------------	------------------

**Environmental Product Compliance**

REACH SVHC	Lead 7439-92-1
------------	----------------

**General data**

Contact surface	Gold-plated	Plugging cycles	≥ 100
Rated current	0.5 A	Transmission rate	10 Gbps
Type	Female		

**Classifications**

ETIM 6.0	EC000796	ETIM 7.0	EC000796
eClass 9.0	27-44-02-04	eClass 9.1	27-44-02-04
eClass 10.0	27-44-02-04		

**Approvals**

ROHS	Conform
------	---------

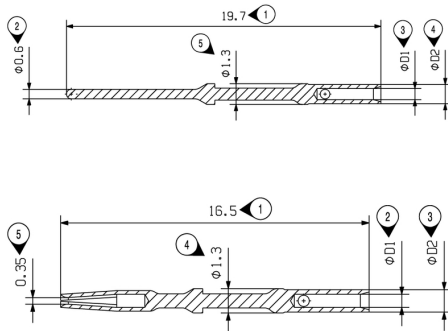
**Downloads**

Engineering Data	<a href="#">EPLAN</a>
Engineering Data	<a href="#">STEP</a>

**HDC MBUS8 F AWG22**

**Weidmüller Interface GmbH & Co. KG**  
Klingenbergstraße 26  
D-32758 Detmold  
Germany  
Fon: +49 5231 14-0  
Fax: +49 5231 14-292083  
www.weidmueller.com

**Drawings**



**HDC MBUS8 F AWG22**

**Weidmüller Interface GmbH & Co. KG**  
 Klingenbergstraße 26  
 D-32758 Detmold  
 Germany  
 Fon: +49 5231 14-0  
 Fax: +49 5231 14-292083  
 www.weidmueller.com

**Accessories**

**Tools**



**Compact**

The new two-pole bus module is extremely compact and can accommodate both megabit and gigabit data inserts. It enables the connection of 2 Gigabit Cat 6A cables (10 gigabit) to one module.

**General ordering data**

Type	HDC MBUS CT X/D 0.6/1.0	Version
Order No.	<a href="#">2592650000</a>	Crimping tool for contacts
GTIN (EAN)	4050118603774	
Qty.	1 pc(s).	
Type	HDC MBUS CL X/D 0.6/1.0	Version
Order No.	<a href="#">2592680000</a>	Locator for crimping tool
GTIN (EAN)	4050118603781	
Qty.	1 pc(s).	