

HDC MBUS4 M AWG26-24

Weidmüller Interface GmbH & Co. KG
Klingenbergstraße 26
D-32758 Detmold
Germany
Fon: +49 5231 14-0
Fax: +49 5231 14-292083
www.weidmueller.com

**Compact**

The new two-pole bus module is extremely compact and can accommodate both megabit and gigabit data inserts. It enables the connection of 2 Gigabit Cat 6A cables (10 gigabit) to one module.

General ordering data

Type	HDC MBUS4 M AWG26-24
Order No.	2565880000
Version	
GTIN (EAN)	4050118575705
Qty.	100 pc(s).

HDC MBUS4 M AWG26-24

Weidmüller Interface GmbH & Co. KG
 Klingenbergstraße 26
 D-32758 Detmold
 Germany
 Fon: +49 5231 14-0
 Fax: +49 5231 14-292083
 www.weidmueller.com

Technical data

Dimensions and weights

Net weight	0.001 g
------------	---------

Temperatures

Limit temperature	-40 °C ... 90 °C
-------------------	------------------

Environmental Product Compliance

REACH SVHC	Lead 7439-92-1
------------	----------------

General data

Contact surface	Gold-plated	Plugging cycles	≥ 100
Rated current	4 A	Transmission rate	100 MBit/s
Type	Pin		

Classifications

ETIM 6.0	EC000796	ETIM 7.0	EC000796
eClass 9.0	27-44-02-04	eClass 9.1	27-44-02-04
eClass 10.0	27-44-02-04		

Approvals

ROHS	Conform
------	---------

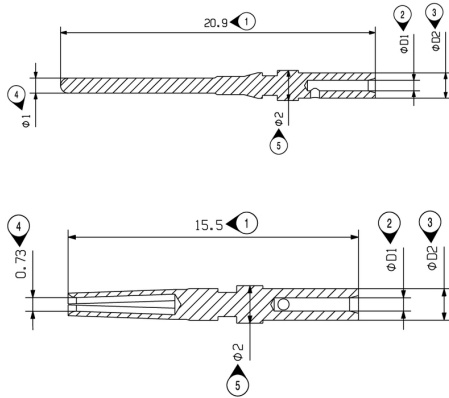
Downloads

Engineering Data	EPLAN
Engineering Data	STEP

HDC MBUS4 M AWG26-24

Weidmüller Interface GmbH & Co. KG
Klingenbergstraße 26
D-32758 Detmold
Germany
Fon: +49 5231 14-0
Fax: +49 5231 14-292083
www.weidmueller.com

Drawings



HDC MBUS4 M AWG26-24

Weidmüller Interface GmbH & Co. KG
 Klingenbergstraße 26
 D-32758 Detmold
 Germany
 Fon: +49 5231 14-0
 Fax: +49 5231 14-292083
 www.weidmueller.com

Accessories**Tools****Compact**

The new two-pole bus module is extremely compact and can accommodate both megabit and gigabit data inserts. It enables the connection of 2 Gigabit Cat 6A cables (10 gigabit) to one module.

General ordering data

Type	HDC MBUS CT X/D 0.6/1.0	Version
Order No.	2592650000	Crimping tool for contacts
GTIN (EAN)	4050118603774	
Qty.	1 pc(s).	
Type	HDC MBUS CL X/D 0.6/1.0	Version
Order No.	2592680000	Locator for crimping tool
GTIN (EAN)	4050118603781	
Qty.	1 pc(s).	