

OMNIMATE Data - RJ45 modular jack RJ45C5 T1D 3.3E4N TY

Weidmüller Interface GmbH & Co. KG
Klingenbergstraße 26
D-32758 Detmold
Germany
Fon: +49 5231 14-0
Fax: +49 5231 14-292083
www.weidmueller.com



The product range encompasses the following designs:

- 90°, lying (horizontal) and 180°, standing (vertical)
- latch up / latch down
- THT, THR or SMD soldering processes
- Wide range of different design types, also with integrated LEDs and shield contact tabs
- Performance category Cat. 3 to Cat. 6
- Packed either in a tray (TY) or on a roll (tape-on-reel, RL)
- Compatible with modular RJ45 connector according to ANSI / TIA-1096-A and IEC 60603
- Dielectric strength ≥ 1500 V AC RMS (2250 V AC peak value) according to IEEE 802.3
- Dielectric strength ≥ 1500 V AC (peak value) or ≥ 1500 V DC according to IEC 60603

Properties and advantages:

- Extended temperature range of -40°C to $+85^{\circ}\text{C}$ for maximum performance
- Reinforced gold layer ($30\mu\text{m}$) for improved corrosion protection
- At least 0.3mm stand-off ensures a perfect soldering result

General ordering data

Type	RJ45C5 T1D 3.3E4N TY
Order No.	2562900000
Version	PCB plug-in connector, RJ45 jacks, Cat. 5 , THT solder connection, 90°, Latch option: bottom, Shield tabs: 6 tabs, 30-80 μm Ni / 30- μm Au , LED: No, Number of poles: 8, Tray (manual assembly)
GTIN (EAN)	4050118571929
Qty.	120 pc(s).
Packaging	Tray (manual assembly)

**OMNIMATE Data - RJ45 modular jack
RJ45C5 T1D 3.3E4N TY**

Weidmüller Interface GmbH & Co. KG
 Klängenbergstraße 26
 D-32758 Detmold
 Germany
 Fon: +49 5231 14-0
 Fax: +49 5231 14-292083
 www.weidmueller.com

Technical data**Dimensions and weights**

Width	15.7 mm	Width (inches)	0.618 inch
Height	17.06 mm	Height (inches)	0.672 inch
Height of lowest version	13.76 mm	Depth	21.3 mm
Depth (inches)	0.839 inch	Net weight	7.533 g

Temperatures

Operating temperature, max.	85 °C	Operating temperature, min.	-40 °C
Storage temperature, max.	85 °C	Storage temperature, min.	-40 °C

Environmental Product Compliance

REACH SVHC	Lead 7439-92-1
------------	----------------

System specifications

Category	Cat. 5	LED	No
Latch option	bottom	Mounting onto the PCB	THT solder connection
Number of poles	8	Number of solder pins per pole	1
Outgoing elbow	90°	Pitch in inches (P)	0.05 inch
Pitch in mm (P)	1.27 mm	Plugging cycles	750
Product family	OMNIMATE Data - RJ45 modular jack	Protection degree	IP20
Shield surface	nickel-plated	Shield tabs	6 tabs
Shielding	Yes	Shielding material	Brass
Solder eyelet hole diameter (D)	0.9 mm	Solder eyelet hole diameter tolerance (D)	± 0.1 mm
Solder pin length (l)	3.3 mm	Solder pin length tolerance	+0.5 / -0.5 mm
Type of connection	Socket connector	Wiring	8-core

Electrical properties

Dielectric strength, contact / contact	1000 V AC	Insulation strength	1000 MΩ at 500 V DC
Rated current	1.5 A	Rated voltage	125 V AC

Material data

Insulating material	PA 66	Colour	black
Colour chart (similar)	RAL 9011	Insulating material group	II
Comparative Tracking Index (CTI)	≥ 500	Insulation strength	1000 MΩ at 500 V DC
UL 94 flammability rating	V-0	Contact base material	Phosphorus bronze
Contact surface	Gold over nickel	Layer structure of plug contact	30-80 μm Ni / 30-μm Au
Storage temperature, min.	-40 °C	Storage temperature, max.	85 °C
Operating temperature, min.	-40 °C	Operating temperature, max.	85 °C

Packing

Packaging	Tray (manual assembly)	VPE length	0 m
VPE width	0 m	VPE height	0 m

Classifications

ETIM 6.0	EC002637	ETIM 7.0	EC002637
eClass 9.0	27-44-04-02	eClass 9.1	27-44-04-02
eClass 10.0	27-44-04-02		

Creation date May 2, 2020 3:57:48 AM CEST

Data sheet

**OMNIMATE Data - RJ45 modular jack
RJ45C5 T1D 3.3E4N TY**

Weidmüller Interface GmbH & Co. KG
Klingenbergstraße 26
D-32758 Detmold
Germany
Fon: +49 5231 14-0
Fax: +49 5231 14-292083
www.weidmueller.com

Technical data

Approvals

Approvals



ROHS

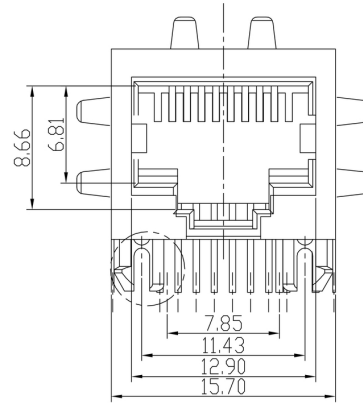
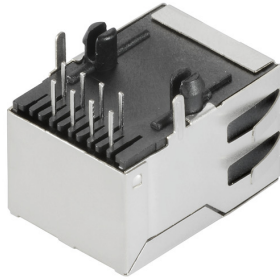
Conform

**OMNIMATE Data - RJ45 modular jack
RJ45C5 T1D 3.3E4N TY**

Weidmüller Interface GmbH & Co. KG
 Klingenbergstraße 26
 D-32758 Detmold
 Germany
 Fon: +49 5231 14-0
 Fax: +49 5231 14-292083
 www.weidmueller.com

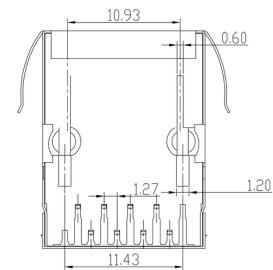
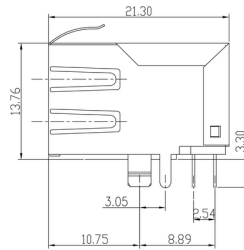
Drawings

Dimensioned drawing

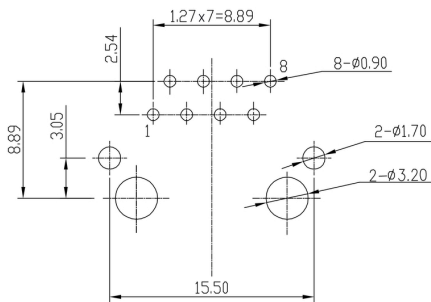


Dimensioned drawing

Dimensioned drawing



PCB design



PCB LAYOUT

**OMNIMATE Data - RJ45 modular jack
RJ45C5 T1D 3.3E4N TY**

Weidmüller Interface GmbH & Co. KG
Klingenbergstraße 26
D-32758 Detmold
Germany
Fon: +49 5231 14-0
Fax: +49 5231 14-292083
www.weidmueller.com

Mating connector (fully pluggable)
RJ45 tool-free


RJ45 plug-in connector (tool-less) according to IEC 60603-7-51 for wire outer diameters up to 1.6 mm

RJ45 tool-free
General ordering data

Type	IE-PS-RJ45-FH-BK	Version
Order No.	196360000	RJ45 IDC plug, Cat.6_A / Class E_A (ISO/
GTIN (EAN)	4032248645725	IEC 11801 2010), 8-core, 4-core, EIA/TIA T568 A, EIA/TIA T568 B,
Qty.	10 pc(s).	PROFINET
Type	IE-PS-RJ45-FH-BK-B	Version
Order No.	113205000	RJ45 IDC plug, Cat.6 _A / Class E _A (ISO/IEC 11801 2010), 8-core, EIA/
GTIN (EAN)	4032248912148	TIA T568 B
Qty.	10 pc(s).	
Type	IE-PS-RJ45-FH-BK-A	Version
Order No.	113204000	RJ45 IDC plug, Cat.6 _A / Class E _A (ISO/IEC 11801 2010), 8-core, EIA/
GTIN (EAN)	4032248912155	TIA T568 A
Qty.	10 pc(s).	
Type	IE-PS-RJ45-FH-BK-P	Version
Order No.	113206000	RJ45 IDC plug, Cat.5 (ISO/IEC 11801), 4-core, PROFINET
GTIN (EAN)	4032248912162	
Qty.	10 pc(s).	

RJ45 crimp

RJ45 crimp plug-in connector according to IEC 60603-7-51 for wire outer diameters up to 1.05 mm


RJ45 crimp
General ordering data

Type	IE-P70	Version
Order No.	881312000	RJ45 plug-in connector, with kink protection; 6.2 - 7.1 mm, Cat.6 _A /
GTIN (EAN)	4032248512874	Class E _A (ISO/IEC 11801 2010), IP20
Qty.	10 pc(s).	
Type	IE-PS-RJ45-TH-BK-P	Version
Order No.	258498000	RJ45 crimp plug, with kink protection; 6.5 - 7.5 mm, Cat.6 _A / Class E _A
GTIN (EAN)	4050118593556	(ISO/IEC 11801 2010)
Qty.	10 pc(s).	

**OMNIMATE Data - RJ45 modular jack
RJ45C5 T1D 3.3E4N TY**

Weidmüller Interface GmbH & Co. KG
 Klingenbergstraße 26
 D-32758 Detmold
 Germany
 Fon: +49 5231 14-0
 Fax: +49 5231 14-292083
 www.weidmueller.com

Mating connector (fully pluggable)

Type	IE-P63	Version
Order No.	8813110000	RJ45 plug-in connector, with kink protection; 5.5 - 6.2 mm, Cat.6 _A /
GTIN (EAN)	4032248512867	Class E _A (ISO/IEC 11801 2010), IP20
Qty.	10 pc(s).	
Type	IE-PM-RJ45-TH	Version
Order No.	1963580000	RJ45 crimp plug, Plug without bending protection sleeve, Cat.6 _A /
GTIN (EAN)	4032248645688	Class E _A (ISO/IEC 11801 2010)
Qty.	100 pc(s).	
Type	IE-P	Version
Order No.	8813100000	RJ45 plug-in connector, without kink protection; 5.5 - 7.1 mm, Cat.6 _A
GTIN (EAN)	4032248512850	/ Class E _A (ISO/IEC 11801 2010), IP20
Qty.	100 pc(s).	
Type	IE-PS-RJ45-TH-BK	Version
Order No.	1963590000	RJ45 crimp plug, Plug with bending protection sleeve in black, Cat.6 _A
GTIN (EAN)	4032248645695	/ Class E _A (ISO/IEC 11801 2010)
Qty.	10 pc(s).	

straight


RJ45 plug-in connector (no tools required) according to IEC 60603-7-51 for core diameters from 0.85 to 1.6 mm and AWG 22-27.

General ordering data

Type	IE-PS-RJ45-FH-180-A-1.6	Version
Order No.	1992820000	RJ45 plug with piercing contacts, straight, Cat.6 _A / Class E _A (ISO/IEC
GTIN (EAN)	4050118377897	11801 2010), EIA/TIA T568 A
Qty.	1 pc(s).	
Type	IE-PS-RJ45-FH-180-P-1.6	Version
Order No.	1992840000	RJ45 plug with piercing contacts, straight, Cat.5 (ISO/IEC 11801),
GTIN (EAN)	4050118378023	PROFINET
Qty.	10 pc(s).	
Type	IE-PS-RJ45-FH-180-B-1.6	Version
Order No.	1992830000	RJ45 plug with piercing contacts, straight, Cat.6 _A / Class E _A (ISO/IEC
GTIN (EAN)	4050118377972	11801 2010), EIA/TIA T568 B
Qty.	1 pc(s).	
Type	IE-PS-RJ45-FH-180-A-1.1	Version
Order No.	1992850000	RJ45 plug with piercing contacts, straight, Cat.6 _A / Class E _A (ISO/IEC
GTIN (EAN)	4050118378115	11801 2010), EIA/TIA T568 A
Qty.	1 pc(s).	
Type	IE-PS-RJ45-FH-180-B-1.1	Version
Order No.	1992860000	RJ45 plug with piercing contacts, straight, Cat.6 _A / Class E _A (ISO/IEC
GTIN (EAN)	4050118378108	11801 2010), EIA/TIA T568 B
Qty.	1 pc(s).	

**OMNIMATE Data - RJ45 modular jack
RJ45C5 T1D 3.3E4N TY**

Weidmüller Interface GmbH & Co. KG
 Klingenbergstraße 26
 D-32758 Detmold
 Germany
 Fon: +49 5231 14-0
 Fax: +49 5231 14-292083
 www.weidmueller.com

Mating connector (fully pluggable)
angled with cable glant


RJ45 plug-in connector (no tools required) according to IEC 60603-7-51 for core diameters from 0.85 to 1.6 mm and AWG 22-27.

General ordering data

Type	IE-PS-RJ45-FH-90-P-1.6	Version
Order No.	1518100000	RJ45 plug with piercing contacts, angled, 4x90°, Cat.5 (ISO/IEC 11801), PROFINET
GTIN (EAN)	4050118325232	
Qty.	10 pc(s).	
Type	IE-PS-RJ45-FH-90-A-1.6	Version
Order No.	1992870000	RJ45 plug with piercing contacts, angled, 4x90°, Cat.6 _A / Class E _A
GTIN (EAN)	4050118378054	(ISO/IEC 11801 2010), EIA/TIA T568 A
Qty.	1 pc(s).	
Type	IE-PS-RJ45-FH-90-B-1.6	Version
Order No.	1992890000	RJ45 plug with piercing contacts, angled, 4x90°, Cat.6 _A / Class E _A
GTIN (EAN)	4050118378122	(ISO/IEC 11801 2010), EIA/TIA T568 B
Qty.	1 pc(s).	
Type	IE-PS-RJ45-FH-90-B-1.1	Version
Order No.	1518090000	RJ45 plug with piercing contacts, angled, 4x90°, Cat.6 _A / Class E _A
GTIN (EAN)	4050118325300	(ISO/IEC 11801 2010), EIA/TIA T568 B
Qty.	1 pc(s).	
Type	IE-PS-RJ45-FH-90-A-1.1	Version
Order No.	1518080000	RJ45 plug with piercing contacts, angled, 4x90°, Cat.6 _A / Class E _A
GTIN (EAN)	4050118324969	(ISO/IEC 11801 2010), EIA/TIA T568 A
Qty.	10 pc(s).	

OMNIMATE Data - RJ45 modular jack
RJ45C5 T1D 3.3E4N TY

Weidmüller Interface GmbH & Co. KG
 Klingenbergstraße 26
 D-32758 Detmold
 Germany
 Fon: +49 5231 14-0
 Fax: +49 5231 14-292083
 www.weidmueller.com

Drawings

Legend

Code	Value	Description
RJ45	G1	RJ45G1
	R1	R1U
	U	U
	3.2	3.2E
	E4	E4
	GY/GY	GY/GY
	TY	TY
RJ45G1 R1U 3.2E4GY/GY TY		
Packaging	TY	Tray in box (manual assembly)
	RL	Tape on Reel (automated assembly)
LED	Y/G	Yellow/Green
	G/Y	Green/Yellow (standard)
	GY/GY	Green-Yellow/Green-Yellow
	O/G	Orange/Green
	R/O	Red/Orange
 (further combinations possible)
	N	without LED
Contact surface thickness	4	1 = 3µ", 2 = 6µ", 3 = 15µ", 4 = 30µ", 5 = 50µ"
EMI tabs (ground fingers)	E	E = with EMI tabs
	N	N = without EMI tabs
Solder Pin length	3.2	3.2 mm
	1.6	1.6 mm
	D	SMD
Direction, latch style	U	Horizontal (90°, side entry), latch up
	D	Horizontal (90°, side entry), latch down
	V	Vertical (180°, top entry)
	Y	Diagonal (45°), latch up
Number of Ports	1	1 Port
	12; 14; ...	multi ports side by side, Multiport
	21; 41; ...	multi ports about each other, Multilevel
Assembly on PCB	R	Through Hole Reflow - THR
	S	Soldering process: Wave or Reflow soldering
	SMT	Surface Mount Technology - SMT
	T	Soldering process: Reflow soldering
	THT	Through Hole Technology - THT
	W	Soldering process: Wave
Performance Category	C5	Category 5
	C6	Category 6
	C6A	Category 6A
	C5e	Category 5e
	M	10/100 Mbit
	G1	10/100/1000 Mbit
	G10	10 Gbit
	U	Unshielded
	MP	10/100 Mbit with POE
	MP+	10/100 Mbit with POE+

Recommended wave soldering profiles

Weidmüller Interface GmbH & Co. KG
 Klängenbergstraße 16
 D-32758 Detmold
 Germany
 Fon: +49 5231 14-0
 Fax: +49 5231 14-292083
 www.weidmueller.com

Single Wave:



Double Wave:



Wave soldering profiles

Wired connection elements should be processed in accordance with the DIN EN 61760-1 standard. We have included two recommendations for practical wave soldering profiles, with which Weidmüller PCB terminals and connectors are qualified.

When choosing a suitable profile for your application, the following factors also need to be considered:

- PCB thickness
- Proportion of Cu in the layers
- Single/double-sided assembly
- Product range
- Heating and cooling rates

The single and double wave profiles each indicate the recommended operating range, including the maximum soldering temperature of 260°C. In practice, the maximum soldering temperature is quite often well below the above maximum profile.