

CMA-CTM-7-60-1A-0.4VA-1

Weidmüller Interface GmbH & Co. KG

Klingenbergstraße 26

D-32758 Detmold

Germany

Fon: +49 5231 14-0

Fax: +49 5231 14-292083

www.weidmueller.com

Product image



similar to the product

The CMA-CTM 7 series mini current transformer is an inductive current transformer designed according to the transformer principle for circular primary conductors.

The CMA-CTM 7 series current transformers are maintenance-free and is designed for measuring primary currents in the range 32 A to 64 A.

This is converted into a current up to 1 A on the secondary side.

With its small dimensions, it perfectly suits applications in a 3-phase circuit breaker with a phase separation of 17.5 mm.

General ordering data

Type	CMA-CTM-7-60-1A-0.4VA-1
Order No.	2556020000
Version	Primary current: 60 A, Secondary current max.: 1 A, Load: 0.4 VA, Tolerance class: 1, closed current transformer
GTIN (EAN)	4050118566093
Qty.	1 pc(s).

Creation date May 2, 2020 5:36:12 AM CEST

Catalogue status 17.04.2020 / We reserve the right to make technical changes.

CMA-CTM-7-60-1A-0.4VA-1**Weidmüller Interface GmbH & Co. KG**

Klingenbergstraße 26

D-32758 Detmold

Germany

Fon: +49 5231 14-0

Fax: +49 5231 14-292083

www.weidmueller.com

Technical data**Dimensions and weights**

Width	27.5 mm	Width (inches)	1.083 inch
Height	46.5 mm	Height (inches)	1.831 inch
Depth	19 mm	Depth (inches)	0.748 inch
Net weight	999 g		

Temperatures

Operating temperature, max.	50 °C	Operating temperature, min.	-5 °C
Storage temperature, max.	70 °C	Storage temperature, min.	-25 °C
Operating temperature	-5 °C...50 °C	Storage temperature	-25 °C...70 °C

Dimensions of live conductors

Installation location	Indoor use	Round conductor	7.6 mm
Type of conductor	Insulated conductor only		

Technical data

Insulation class	E	Nominal frequency	50 Hz
Operating voltage U_{\max} , max.	0.72 kV	Thermal rated continuous current I_{thermal}	$1.0 \times I_{\text{rated}}$

Technical properties

Insulation class	E	Nominal frequency	50 Hz
Operating voltage U_{\max} , max.	0.72 kV	Thermal rated continuous current I_{thermal}	$1.0 \times I_{\text{rated}}$

Electrical attributes

Load	0.4 VA	Primary current	60 A
Secondary current max.	1 A	Tolerance class	1

Classifications

ETIM 6.0	EC002048	ETIM 7.0	EC002048
eClass 9.0	27-21-09-02	eClass 9.1	27-21-09-02
eClass 10.0	27-21-09-02		

Approvals

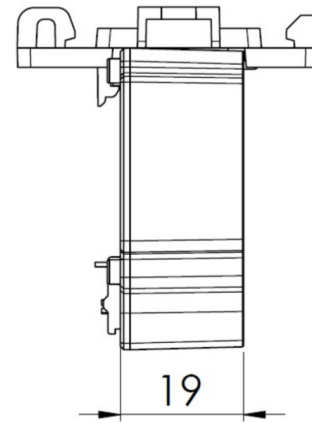
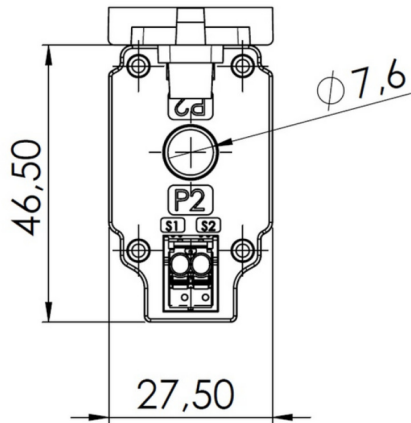
ROHS	Conform
------	---------

Data sheet

CMA-CTM-7-60-1A-0.4VA-1

Weidmüller Interface GmbH & Co. KG
Klingenbergstraße 26
D-32758 Detmold
Germany
Fon: +49 5231 14-0
Fax: +49 5231 14-292083
www.weidmueller.com

Drawings



Data sheet**CMA-CTM-7-60-1A-0.4VA-1****Weidmüller Interface GmbH & Co. KG**
Klingenbergstraße 26
D-32758 Detmold
Germany
Fon: +49 5231 14-0
Fax: +49 5231 14-292083
www.weidmueller.com**Accessories****Accessories**

**General ordering data**

Type	CMA-CTM-7-SNAP-ON
Order No.	2525160000
GTIN (EAN)	4050118536522
Qty.	1 pc(s).
