

## ENERGY METER 610-24

**Weidmüller Interface GmbH & Co. KG**

Klingenbergstraße 26

D-32758 Detmold

Germany

Fon: +49 5231 14-0

Fax: +49 5231 14-292083

www.weidmueller.com

### Product image



### Energy meters

Many companies would like to save energy at source, use energy more efficiently and maximise the availability of energy networks. This not only shows responsibility, but is also recommended for economic reasons.

Weidmüller energy meters can do far more than just measure the consumption of electrical energy. For example, the basic parameters for energy quality can also be determined or the currents of all conductors can be analysed individually or differentially - e.g. with our Energy Meter. This allows you a quick status overview of the electrical energy in your production facility. This applies both in relation to efficient usage, as well as to quality, stability and availability.

### General ordering data

Type	ENERGY METER 610-24
Order No.	<a href="#">2540920000</a>
Version	Supply voltage : 24 V
GTIN (EAN)	4050118553246
Qty.	1 pc(s).

Creation date May 2, 2020 6:11:47 AM CEST

Catalogue status 17.04.2020 / We reserve the right to make technical changes.

## ENERGY METER 610-24

Weidmüller Interface GmbH &amp; Co. KG

Klingenbergstraße 26

D-32758 Detmold

Germany

Fon: +49 5231 14-0

Fax: +49 5231 14-292083

www.weidmueller.com

## Technical data

## Dimensions and weights

Width	96 mm	Width (inches)	3.78 inch
Height	96 mm	Height (inches)	3.78 inch
Depth	65 mm	Depth (inches)	2.559 inch
Net weight	250 g		

## Temperatures

Humidity at operating temperature	0 - 75% RH	Humidity at storage temperature	0...90 % RH
Operating temperature, max.	55 °C	Operating temperature, min.	-10 °C
Storage temperature, max.	70 °C	Storage temperature, min.	-25 °C
Operating temperature	-10 °C...55 °C	Storage temperature	-25 °C...70 °C

## Environmental Product Compliance

REACH SVHC	Lead 7439-92-1
------------	----------------

## Measuring current input

Current-measuring channels	4	Distortion factor THD-I in %	Yes
Harmonics, per order / current	1..40.	Measuring accuracy for current	0.2 %
Rated current	1 / 5 A	Residual current measuring	No

## Measuring voltage input

Distortion factor THD-U in %	Yes	Four-wire system	Yes
Harmonics, per order / voltage	1..40.	Measurement range, voltage L-L, AC	480 V
Measurement range, voltage L-N, AC	277 V	Measuring accuracy for voltage	0.2 %
Quadrants	4	Three-wire system	Yes

## Communication

Interface	RS485: 9,6 – 115,2 kbps, USB	Protocol	Modbus RTU
-----------	---------------------------------	----------	------------

## Inputs/outputs

Number of digital inputs	4	Number of digital outputs	6
Number of pulse outputs	6	Temperature input	No

## Measurement data recording

Memory; minimum and maximum values	Yes	Memory size	256 MB
Number of memory values	10,000 k	Update interval register	200 ms
Min. memory recording interval	60 s	Software	ecoExplorer go®
Integrated logic	Yes		

## ENERGY METER 610-24

Weidmüller Interface GmbH &amp; Co. KG

Klingenbergstraße 26

D-32758 Detmold

Germany

Fon: +49 5231 14-0

Fax: +49 5231 14-292083

www.weidmueller.com

## Technical data

## Technical data

Standards	DIN EN 61326, IEC 61010-1, IEC 61010-2-030	Measurement range, voltage L-N, AC	277 V
Measurement range, voltage L-L, AC	480 V	Surge voltage category	300 V CAT III
Voltage supply	24 - 90 V AC (50/60 Hz), 24 - 90 V DC	Supply voltage	24 V
Three-wire system	Yes	Four-wire system	Yes
Quadrants	4	Sampling frequency 50/60 Hz	25.6 kHz
Continuous measurements	Yes	Effective value from the period (50/60 Hz)	10 / 12
Measurement result per second	5	Residual current measuring	No
Measuring accuracy for voltage	0.2 %	Measuring accuracy for current	0.2 %
Measurement accuracy for active energy (kWh, .../5 A)	Class 0.5S	Operating-hours counter	Yes
Weekly time switch	No	Current-measuring channels	4
Clock	Yes	Bimetal function	Yes

## Voltage quality measurement

Harmonics, per order / voltage	1.-40.	Harmonics, per order / current	1.-40.
Distortion factor THD-U in %	Yes	Distortion factor THD-I in %	Yes
Unbalanced	No	Positive, negative and zero system	Yes
Brief interruptions	No	Sequence-of-events recorder function	No

## Insulation coordination

Surge voltage category	300 V CAT III
------------------------	---------------

## Classifications

ETIM 6.0	EC002301	ETIM 7.0	EC002301
eClass 9.0	27-14-23-30	eClass 9.1	27-21-03-01
eClass 10.0	27-14-23-30	UNSPSC	39-12-15-35

## Approvals

Approvals



Approvals	CE
ROHS	Conform

## Downloads

Approval/Certificate/Document of Conformity	<a href="#">EU-Declaration of Conformity</a> <a href="#">KC-Certification</a>
Software	<a href="#">MODBUS address list</a> <a href="#">GSD DATA</a> <a href="#">Win64 - ecoExplorer.go</a> <a href="#">USB File</a>
User Documentation	<a href="#">Quick Guide German/English</a> <a href="#">Manual ECOEXPLORER GO English</a> <a href="#">Manual Energy Meter 610 PB German/English</a>

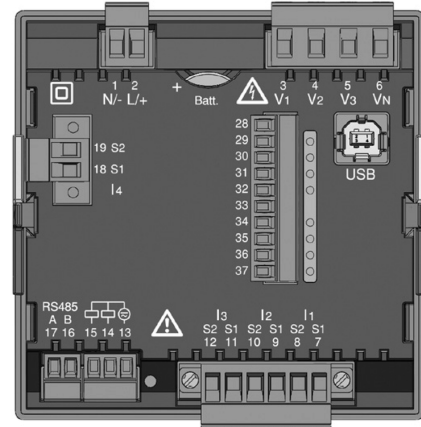
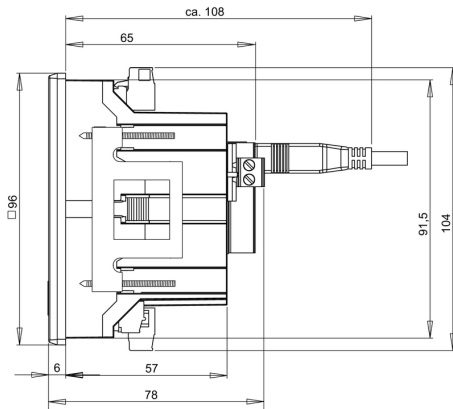
Creation date May 2, 2020 6:11:47 AM CEST

Catalogue status 17.04.2020 / We reserve the right to make technical changes.

3

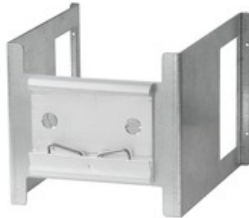
**ENERGY METER 610-24**

**Weidmüller Interface GmbH & Co. KG**  
Klingenbergstraße 26  
D-32758 Detmold  
Germany  
Fon: +49 5231 14-0  
Fax: +49 5231 14-292083  
www.weidmueller.com

**Drawings****Dimensioned drawing**

**ENERGY METER 610-24**

**Weidmüller Interface GmbH & Co. KG**  
Klingenbergstraße 26  
D-32758 Detmold  
Germany  
Fon: +49 5231 14-0  
Fax: +49 5231 14-292083  
www.weidmueller.com

**Accessories****Accessories**

For our energy meters, we offer accessories to mount meters, which originally have been designed to be put into front doors, onto DIN rails for example. Similarly, if you lose a mounting clip, you can easily reorder it.

**General ordering data**

Type ENERGY METER BRACKET L1  
Order No. [2433060000](#)  
GTIN (EAN) 4050118446388  
Qty. 1 pc(s).

Type ENERGY METER SEAL L96-2  
Order No. [2495610000](#)  
GTIN (EAN) 4050118505931  
Qty. 1 pc(s).

Type ENERGY METER FIXING SET  
Order No. [2433030000](#)  
GTIN (EAN) 4050118446401  
Qty. 1 pc(s).