

SAIE-M12SL-5S-F12TL-M16**Weidmüller Interface GmbH & Co. KG**

Klingenbergstraße 26

D-32758 Detmold

Germany

Fon: +49 5231 14-0

Fax: +49 5231 14-292083

www.weidmueller.com



Your peripheral devices should be supplied with greater power. With our new M12 plug-in connector, more than 250 V and 2 A is possible without problems. The compact S- and T-coded M12 plug-in connectors are designed for the transmission of up to 630 V AC or 60 V DC and 12 A.

General ordering data

Type	SAIE-M12SL-5S-F12TL-M16
Order No.	2530880000
Version	Built-in plugs, M12, M 16, Number of poles: 5
GTIN (EAN)	4050118540994
Qty.	1 pc(s).

Creation date May 2, 2020 7:02:11 AM CEST

Catalogue status 17.04.2020 / We reserve the right to make technical changes.

SAIE-M12SL-5S-F12TL-M16**Weidmüller Interface GmbH & Co. KG**

Klingenbergstraße 26

D-32758 Detmold

Germany

Fon: +49 5231 14-0

Fax: +49 5231 14-292083

www.weidmueller.com

Technical data**Dimensions and weights**

Net weight	30 g
------------	------

Environmental Product Compliance

REACH SVHC	Lead 7439-92-1
------------	----------------

Technical data of PCB plug-in connector

Coding	L	Housings	M12 pin
Mounting height	12 mm	Mounting thread	M16
Number of poles	5	Rated voltage	63 V
Rated current	16 A	Protection degree	IP67, when screwed in
Contact surface	Gold over nickel	Housing main material	PA
Connection thread	M12	Tightening torque	M12: 0.8 - 1.2 Nm
Mounting thread	M 16	Mounting onto the PCB	Dip solder
Plugging cycles	500	Contact material	Cu

Classifications

ETIM 6.0	EC002638	ETIM 7.0	EC002638
eClass 9.0	27-44-03-09	eClass 9.1	27-44-03-09
eClass 10.0	27-44-03-09		

Approvals

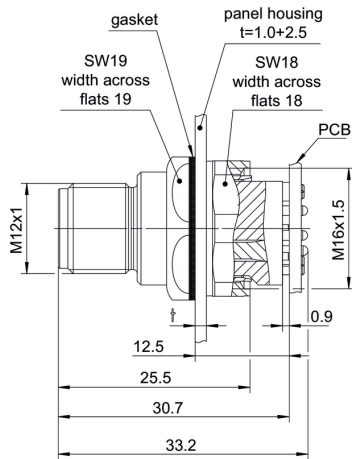
ROHS	Conform
------	---------

SAIE-M12SL-5S-F12TL-M16

Weidmüller Interface GmbH & Co. KG
 Klingenbergstraße 26
 D-32758 Detmold
 Germany
 Fon: +49 5231 14-0
 Fax: +49 5231 14-292083
 www.weidmueller.com

Drawings

Dimensioned drawing



PCB design

