

**SAIE-M12SL-0.3VFM16-2.5****Weidmüller Interface GmbH & Co. KG**

Klingenbergstraße 26

D-32758 Detmold

Germany

Fon: +49 5231 14-0

Fax: +49 5231 14-292083

www.weidmueller.com



Your peripheral devices should be supplied with greater power. With our new M12 plug-in connector, more than 250 V and 2 A is possible without problems. The compact S- and T-coded M12 plug-in connectors are designed for the transmission of up to 630 V AC or 60 V DC and 12 A.

**General ordering data**

|            |  |
|------------|--|
| Type       | SAIE-M12SL-0.3VFM16-2.5  |
| Order No.  | <a href="#">2530790000</a>   |
| Version    | Built-in plugs, M12, pin, straight, M 16, Number of poles: 5, Front mounting |
| GTIN (EAN) | 4050118540918  |
| Qty.       | 1 pc(s).   |

Creation date May 2, 2020 7:03:45 AM CEST

Catalogue status 17.04.2020 / We reserve the right to make technical changes.

**SAIE-M12SL-0.3VFM16-2.5****Weidmüller Interface GmbH & Co. KG**

Klingenbergstraße 26

D-32758 Detmold

Germany

Fon: +49 5231 14-0

Fax: +49 5231 14-292083

www.weidmueller.com

**Technical data****Dimensions and weights**

Net weight 50 g

**Environmental Product Compliance**

REACH SVHC Lead 7439-92-1

**General data**

|                              |                       |                       |              |
|------------------------------|-----------------------|-----------------------|--------------|
| Cable glands                 | M 16                  | Coding                | L            |
| Conductor O.D.               | -                     | Connection thread     | M12          |
| Contact material             | Cu                    | Contact surface       | Gold-plated  |
| Core cross-section           | 2.5 mm <sup>2</sup>   | Housing main material | Zinc diecast |
| Number of poles              | 5                     | Plugging cycles       | 500          |
| Protection degree            | IP67, when screwed in | Rated current         | 16 A         |
| Rated voltage                | 63 V                  | Strand / cable length | 0.3 m        |
| Temperature range of housing | -40 ... +85 °C        |                       |              |

**Classifications**

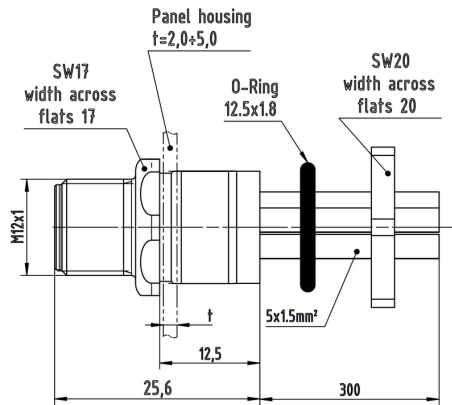
|             |             |            |             |
|-------------|-------------|------------|-------------|
| ETIM 6.0    | EC002638    | ETIM 7.0   | EC002638    |
| eClass 9.0  | 27-44-03-09 | eClass 9.1 | 27-44-03-09 |
| eClass 10.0 | 27-44-03-09 |            |             |

**Approvals**

ROHS Conform

**SAIE-M12SL-0.3VFM16-2.5**

**Weidmüller Interface GmbH & Co. KG**  
Klingenbergstraße 26  
D-32758 Detmold  
Germany  
Fon: +49 5231 14-0  
Fax: +49 5231 14-292083  
www.weidmueller.com

**Drawings****Dimensioned drawing****Installation cut-out**