

**OMNIMATE Power - Powerbus series
BLF/SLF 5.08 ZE06 OR**

Weidmüller Interface GmbH & Co. KG
Klingenbergstraße 26
D-32758 Detmold
Germany
Fon: +49 5231 14-0
Fax: +49 5231 14-292083
www.weidmueller.com

**For frequent load changes: the "trailer coupling"
for plug-in connectors.**

The strain relief can do more than just relieve the strain on conductors:

Simply clip onto the plug and

- bundle conductors
- guide cables
- use as a connection and disconnection aid

No damage to the connecting points, clear, tidy wiring and easy to handle.

User advantages: permanent heavy-duty connections for harsh industrial environments and convenient operation ensure improved system availability.

General ordering data

| | |
|--------------|---|
| Type | BLF/SLF 5.08 ZE06 OR |
| Order No. | 2525780000 |
| Version | PCB plug-in connector, Accessories, Strain relief, orange, Number of poles: 6 |
| GTIN (EAN) | 4050118536881 |
| Qty. | 50 pc(s). |
| Product data | |

Creation date May 2, 2020 7:53:41 AM CEST

Catalogue status 17.04.2020 / We reserve the right to make technical changes.

Data sheet

OMNIMATE Power - Powerbus series BLF/SLF 5.08 ZE06 OR

Weidmüller Interface GmbH & Co. KG
Klingenbergstraße 26
D-32758 Detmold
Germany
Fon: +49 5231 14-0
Fax: +49 5231 14-292083
www.weidmueller.com

Technical data

Dimensions and weights

| | | | |
|------------|---------|-----------------|------------|
| Width | 24.8 mm | Width (inches) | 0.976 inch |
| Height | 3.3 mm | Height (inches) | 0.13 inch |
| Depth | 37 mm | Depth (inches) | 1.457 inch |
| Net weight | 0.92 g | | |

Material data

| | | | |
|---------------------------------------|----------|---------------------------------------|--------|
| Insulating material | PA 66/6 | Colour | orange |
| Colour chart (similar) | RAL 2000 | Storage temperature, min. | -25 °C |
| Storage temperature, max. | 50 °C | Max. relative humidity during storage | 70 % |
| Operating temperature, min. | -50 °C | Operating temperature, max. | 100 °C |
| Temperature range, installation, min. | -25 °C | Temperature range, installation, max. | 100 °C |

Rated data acc. to IEC

| | |
|-------------------------|------------------------|
| tested acc. to standard | IEC 60664-1, IEC 61984 |
|-------------------------|------------------------|

Packing

| | | | |
|------------|--------|-----------|--------|
| VPE length | 140 mm | VPE width | 105 mm |
| VPE height | 37 mm | | |

Classifications

| | | | |
|-------------|-------------|------------|-------------|
| ETIM 6.0 | EC002943 | ETIM 7.0 | EC002943 |
| eClass 9.0 | 27-44-04-92 | eClass 9.1 | 27-44-04-92 |
| eClass 10.0 | 27-44-04-92 | | |

Notes

| | |
|----------------|--|
| IPC conformity | Conformity: The products are developed, manufactured and delivered according international recognized standards and norms and comply with the assured properties in the data sheet resp. fulfill decorative properties in accordance with IPC-A-610 "Class 2". Further claims on the products can be evaluated on request. |
|----------------|--|

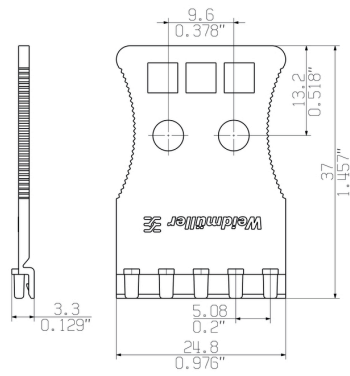
Data sheet

**OMNIMATE Power - Powerbus series
BLF/SLF 5.08 ZE06 OR**

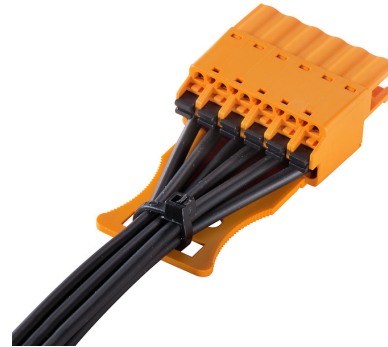
Weidmüller Interface GmbH & Co. KG
 Klingenbergstraße 26
 D-32758 Detmold
 Germany
 Fon: +49 5231 14-0
 Fax: +49 5231 14-292083
 www.weidmueller.com

Drawings

Dimensioned drawing



Example of use



Example of use



Example of use

