

## CMA-CTM-7-32-1A-0.2VA-1

**Weidmüller Interface GmbH & Co. KG**

Klingenbergstraße 26

D-32758 Detmold

Germany

Fon: +49 5231 14-0

Fax: +49 5231 14-292083

www.weidmueller.com

### Product image



similar to the product

The CMA-CTM 7 series mini current transformer is an inductive current transformer designed according to the transformer principle for circular primary conductors.

The CMA-CTM 7 series current transformers are maintenance-free and is designed for measuring primary currents in the range 32 A to 64 A.

This is converted into a current up to 1 A on the secondary side.

With its small dimensions, it perfectly suits applications in a 3-phase circuit breaker with a phase separation of 17.5 mm.

### General ordering data

Type	CMA-CTM-7-32-1A-0.2VA-1
Order No.	<a href="#">2525 150000</a>
Version	Primary current: 32 A, Secondary current max.: 1 A, Load: 0.2 VA, Tolerance class: 1, closed current transformer
GTIN (EAN)	4050118536515
Qty.	1 pc(s).

Creation date May 2, 2020 7:54:56 AM CEST

Catalogue status 17.04.2020 / We reserve the right to make technical changes.

**CMA-CTM-7-32-1A-0.2VA-1****Weidmüller Interface GmbH & Co. KG**

Klingenbergstraße 26

D-32758 Detmold

Germany

Fon: +49 5231 14-0

Fax: +49 5231 14-292083

www.weidmueller.com

**Technical data****Dimensions and weights**

Width	27.5 mm	Width (inches)	1.083 inch
Height	46.5 mm	Height (inches)	1.831 inch
Depth	19 mm	Depth (inches)	0.748 inch
Net weight	65 g		

**Temperatures**

Operating temperature, max.	50 °C	Operating temperature, min.	-5 °C
Storage temperature, max.	70 °C	Storage temperature, min.	-25 °C
Operating temperature	-5 °C...50 °C	Storage temperature	-25 °C...70 °C

**Dimensions of live conductors**

Installation location	Indoor use	Round conductor	7.6 mm
Type of conductor	Insulated conductor only		

**Technical data**

Insulation class	E	Nominal frequency	50 Hz
Operating voltage $U_{\max}$ , max.	0.72 kV	Thermal rated continuous current $I_{\text{thermal}}$	$1.0 \times I_{\text{rated}}$

**Technical properties**

Insulation class	E	Nominal frequency	50 Hz
Operating voltage $U_{\max}$ , max.	0.72 kV	Thermal rated continuous current $I_{\text{thermal}}$	$1.0 \times I_{\text{rated}}$

**Electrical attributes**

Load	0.2 VA	Primary current	32 A
Secondary current max.	1 A	Tolerance class	1

**Classifications**

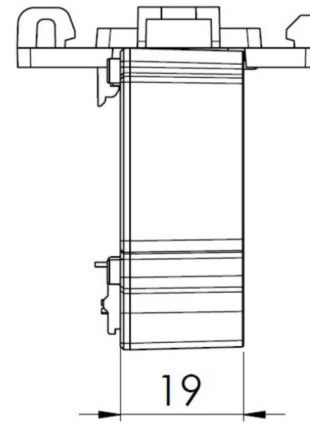
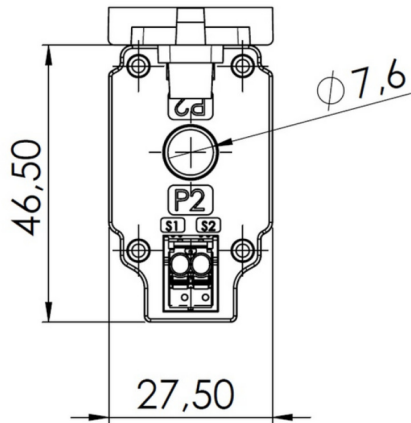
ETIM 6.0	EC002048	ETIM 7.0	EC002048
eClass 9.0	27-21-09-02	eClass 9.1	27-21-09-02
eClass 10.0	27-21-09-02		

**Approvals**

ROHS	Conform
------	---------

**Data sheet****CMA-CTM-7-32-1A-0.2VA-1**

**Weidmüller Interface GmbH & Co. KG**  
Klingenbergstraße 26  
D-32758 Detmold  
Germany  
Fon: +49 5231 14-0  
Fax: +49 5231 14-292083  
www.weidmueller.com

**Drawings**

**Data sheet****CMA-CTM-7-32-1A-0.2VA-1**

**Weidmüller Interface GmbH & Co. KG**  
Klingenbergstraße 26  
D-32758 Detmold  
Germany  
Fon: +49 5231 14-0  
Fax: +49 5231 14-292083  
www.weidmueller.com

**Accessories****Accessories**

---

**General ordering data**

---

Type	CMA-CTM-7-SNAP-ON
Order No.	<a href="#">2525160000</a>
GTIN (EAN)	4050118536522
Qty.	1 pc(s).

---