

HDC MHP200 F 50**Weidmüller Interface GmbH & Co. KG**

Klingenbergstraße 26

D-32758 Detmold

Germany

Fon: +49 5231 14-0

Fax: +49 5231 14-292083

www.weidmueller.com



Crimps provide a electrical and mechanical connection between wire and contact that is both secure and reliable. The optimal crimp connection is gas-tight and corrosion-resistant.

General ordering data

Type	HDC MHP200 F 50
Order No.	2514840000
Version	Female, silver, 50 mm ²
GTIN (EAN)	4050118528480
Qty.	10 pc(s).

Creation date May 2, 2020 8:16:27 AM CEST

Catalogue status 17.04.2020 / We reserve the right to make technical changes.

HDC MHP200 F 50

Weidmüller Interface GmbH & Co. KG
 Klingenbergstraße 26
 D-32758 Detmold
 Germany
 Fon: +49 5231 14-0
 Fax: +49 5231 14-292083
 www.weidmueller.com

Technical data

Dimensions and weights

Net weight 29 g

Temperatures

Limit temperature -40 °C ... 125 °C

Environmental Product Compliance

REACH SVHC Lead 7439-92-1

General data

Cross-section for connected wire	50 mm ²	Material	Copper alloy
Production methods	turned	Stripping length, rated connection	19 mm
Surface finish	silver	Type	Female
Type of connection	Crimp connection		

Classifications

ETIM 6.0	EC000796	ETIM 7.0	EC000796
eClass 9.0	27-44-02-04	eClass 9.1	27-44-02-04
eClass 10.0	27-44-02-04		

Approvals

ROHS Conform

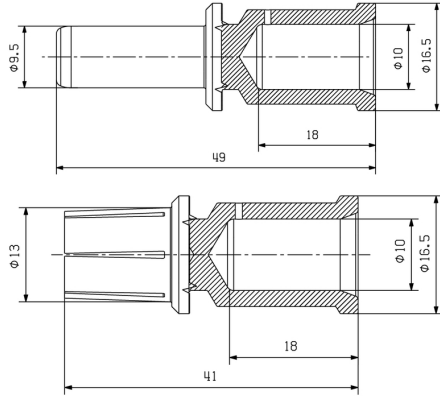
Downloads

Engineering Data [EPLAN](#)
 Engineering Data [STEP](#)

HDC MHP200 F 50

Weidmüller Interface GmbH & Co. KG
Klingenbergstraße 26
D-32758 Detmold
Germany
Fon: +49 5231 14-0
Fax: +49 5231 14-292083
www.weidmueller.com

Drawings



HDC MHP200 F 50

Weidmüller Interface GmbH & Co. KG
 Klingenbergstraße 26
 D-32758 Detmold
 Germany
 Fon: +49 5231 14-0
 Fax: +49 5231 14-292083
 www.weidmueller.com

Accessories

... for compression cable lugs (acc. to DIN 46235)



Crimping tools for cable lugs, connectors and wire-end ferrules with interchangeable inserts

- extremely fast processing thanks to hydraulic support
- large processing range up to 300 mm²
- 270° revolving quick-action crimping head
- automatic pressure limitation and monitoring via pressure sensor
- electronic control and monitoring of the crimping process
- Saving of all crimping cycles and error messages to internal memory
- Reading of all cycles and error messages via USB
- Li-ion rechargeable battery with charge status indicator: 18 V, 1.5 Ah

General ordering data

Type	ES EPG 45 HEX 25/50	Version	Hexagonal crimp
Order No.	1500970000		
GTIN (EAN)	4050118309195		
Qty.	1 pc(s).		

Tools



Crimping tools for cable lugs, connectors and wire-end ferrules with interchangeable inserts

- extremely fast processing thanks to hydraulic support
- large processing range up to 300 mm²
- 270° revolving quick-action crimping head
- automatic pressure limitation and monitoring via pressure sensor
- electronic control and monitoring of the crimping process
- Saving of all crimping cycles and error messages to internal memory
- Reading of all cycles and error messages via USB
- Li-ion rechargeable battery with charge status indicator: 18 V, 1.5 Ah

General ordering data

Type	EPG 45	Version	Pressing tool, 6mm ² , 150mm ²
Order No.	1500830000		
GTIN (EAN)	4050118309317		
Qty.	1 pc(s).		