

**HDC MHP200 F 35****Weidmüller Interface GmbH & Co. KG**

Klingenbergstraße 26

D-32758 Detmold

Germany

Fon: +49 5231 14-0

Fax: +49 5231 14-292083

www.weidmueller.com



Crimps provide a electrical and mechanical connection between wire and contact that is both secure and reliable. The optimal crimp connection is gas-tight and corrosion-resistant.

**General ordering data**

|            |                                    |
|------------|------------------------------------|
| Type       | HDC MHP200 F 35                    |
| Order No.  | <a href="#">2514830000</a>         |
| Version    | Female, silver, 35 mm <sup>2</sup> |
| GTIN (EAN) | 4050118528473                      |
| Qty.       | 10 pc(s).                          |

## HDC MHP200 F 35

**Weidmüller Interface GmbH & Co. KG**  
 Klingenbergstraße 26  
 D-32758 Detmold  
 Germany  
 Fon: +49 5231 14-0  
 Fax: +49 5231 14-292083  
 www.weidmueller.com

## Technical data

### Dimensions and weights

|            |      |
|------------|------|
| Net weight | 25 g |
|------------|------|

### Temperatures

|                   |                   |
|-------------------|-------------------|
| Limit temperature | -40 °C ... 125 °C |
|-------------------|-------------------|

### Environmental Product Compliance

|            |                |
|------------|----------------|
| REACH SVHC | Lead 7439-92-1 |
|------------|----------------|

### General data

|                                  |                    |                                    |              |
|----------------------------------|--------------------|------------------------------------|--------------|
| Cross-section for connected wire | 35 mm <sup>2</sup> | Material                           | Copper alloy |
| Production methods               | turned             | Stripping length, rated connection | 19 mm        |
| Surface finish                   | silver             | Type                               | Female       |
| Type of connection               | Crimp connection   |                                    |              |

### Classifications

|             |             |            |             |
|-------------|-------------|------------|-------------|
| ETIM 6.0    | EC000796    | ETIM 7.0   | EC000796    |
| eClass 9.0  | 27-44-02-04 | eClass 9.1 | 27-44-02-04 |
| eClass 10.0 | 27-44-02-04 |            |             |

### Approvals

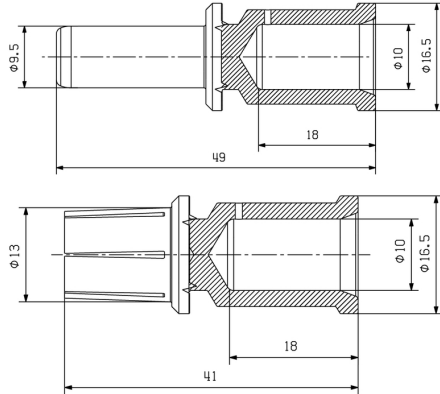
|      |         |
|------|---------|
| ROHS | Conform |
|------|---------|

### Downloads

|                  |                       |
|------------------|-----------------------|
| Engineering Data | <a href="#">EPLAN</a> |
| Engineering Data | <a href="#">STEP</a>  |

**HDC MHP200 F 35**

**Weidmüller Interface GmbH & Co. KG**  
Klingenbergstraße 26  
D-32758 Detmold  
Germany  
Fon: +49 5231 14-0  
Fax: +49 5231 14-292083  
[www.weidmueller.com](http://www.weidmueller.com)

**Drawings**

**HDC MHP200 F 35**

**Weidmüller Interface GmbH & Co. KG**  
 Klingenbergstraße 26  
 D-32758 Detmold  
 Germany  
 Fon: +49 5231 14-0  
 Fax: +49 5231 14-292083  
 www.weidmueller.com

**Accessories**

**... for compression cable lugs (acc. to DIN 46235)**



**Crimping tools for cable lugs, connectors and wire-end ferrules with interchangeable inserts**

- extremely fast processing thanks to hydraulic support
- large processing range up to 300 mm<sup>2</sup>
- 270° revolving quick-action crimping head
- automatic pressure limitation and monitoring via pressure sensor
- electronic control and monitoring of the crimping process
- Saving of all crimping cycles and error messages to internal memory
- Reading of all cycles and error messages via USB
- Li-ion rechargeable battery with charge status indicator: 18 V, 1.5 Ah

**General ordering data**

|            |                            |         |                 |
|------------|----------------------------|---------|-----------------|
| Type       | ES EPG 45 HEX 16/35        | Version |                 |
| Order No.  | <a href="#">1500950000</a> | Version | Hexagonal crimp |
| GTIN (EAN) | 4050118309492              |         |                 |
| Qty.       | 1 pc(s).                   |         |                 |

**Tools**



**Crimping tools for cable lugs, connectors and wire-end ferrules with interchangeable inserts**

- extremely fast processing thanks to hydraulic support
- large processing range up to 300 mm<sup>2</sup>
- 270° revolving quick-action crimping head
- automatic pressure limitation and monitoring via pressure sensor
- electronic control and monitoring of the crimping process
- Saving of all crimping cycles and error messages to internal memory
- Reading of all cycles and error messages via USB
- Li-ion rechargeable battery with charge status indicator: 18 V, 1.5 Ah

**General ordering data**

|            |                            |         |  |
|------------|----------------------------|---------|--|
| Type       | EPG 45                     | Version |  |
| Order No.  | <a href="#">1500830000</a> | Version | Pressing tool, 6mm <sup>2</sup> , 150mm <sup>2</sup> |
| GTIN (EAN) | 4050118309317              |         |  |
| Qty.       | 1 pc(s).                   |         |  |