

SAI-8-S-3P-M8L-M12-2AND**Weidmüller Interface GmbH & Co. KG**

Klingenbergstraße 26

D-32758 Detmold

Germany

Fon: +49 5231 14-0

Fax: +49 5231 14-292083

www.weidmueller.com



SAI – logic module These devices allow the combination of signals by means of an AND or an OR gate. This function leads to a reduction in the amount of wiring. The required inputs to the PLC can be reduced by up to 6 inputs. This process therefore saves the amount of wiring and material in the field.

General ordering data

Type	SAI-8-S-3P-M8L-M12-2AND
Order No.	2512820000
Version	Sensor-actuator passive distributor, M8, with M12 outlet, Yes
GTIN (EAN)	4050118527919
Qty.	1 pc(s).

Creation date May 2, 2020 8:17:59 AM CEST

Catalogue status 17.04.2020 / We reserve the right to make technical changes.

SAI-8-S-3P-M8L-M12-2AND

Weidmüller Interface GmbH & Co. KG

Klingenbergstraße 26

D-32758 Detmold

Germany

Fon: +49 5231 14-0

Fax: +49 5231 14-292083

www.weidmueller.com

Technical data

Dimensions and weights

Net weight	107.2 g
------------	---------

Temperatures

Operating temperature, max.	90 °C	Operating temperature, min.	-20 °C
Operating temperature	-20 - 90°C		

Environmental Product Compliance

REACH SVHC	Lead 7439-92-1
------------	----------------

Connection data

Distributor outlet	with M12 outlet
--------------------	-----------------

Electrical data

Rated voltage, min.	15 V	Rated voltage, max.	30 V
Rated voltage	24	Rated current	500 mA
Total current	2 A		

General technical data

Protection degree	IP67	Number of poles	3
Number of contact sockets	8	Connection thread	M8
Pollution severity	3	Fire behaviour	V-0
LED	Yes	LED initiator	Yes
LED colour for indicating operation	green	LED colour for I/O function	yellow, green

Material data

Housing main material	Pocan	Housing colour	grey
Screw socket	Nickel-plated CuZn	Contact material	Nickel-plated CuZn
Contact surface	Gold-plated	Contact carrier material	PBT (UL 94 V0)

Technical data cable

Number of poles	3
-----------------	---

Classifications

ETIM 6.0	EC002585	ETIM 7.0	EC003558
eClass 9.0	27-44-01-08	eClass 9.1	27-44-01-08
eClass 10.0	27-44-01-11		

Approvals

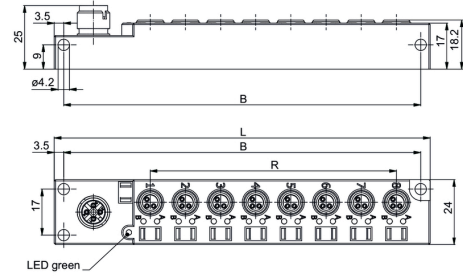
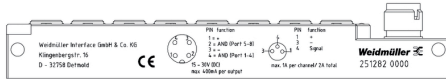
ROHS	Conform
------	---------

SAI-8-S-3P-M8L-M12-2AND

Weidmüller Interface GmbH & Co. KG
 Klingenbergstraße 26
 D-32758 Detmold
 Germany
 Fon: +49 5231 14-0
 Fax: +49 5231 14-292083
 www.weidmueller.com

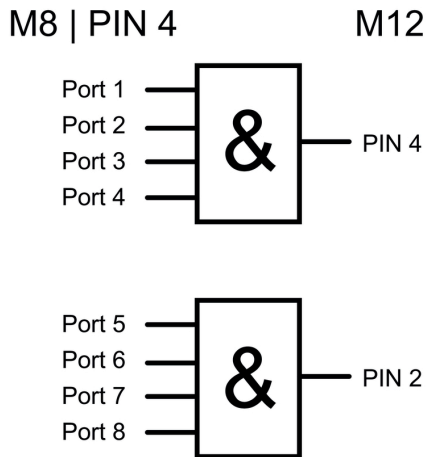
Drawings

Similar to illustration



Connection	Dimension L	Dimension R	B±0,1
8 times	139	7x13=91	132
4 times	87	3x13=39	80

Wiring diagram



SAI-8-S-3P-M8L-M12-2AND

Weidmüller Interface GmbH & Co. KG
 Klingenbergstraße 26
 D-32758 Detmold
 Germany
 Fon: +49 5231 14-0
 Fax: +49 5231 14-292083
 www.weidmueller.com

Accessories

Blank



The Dekafix (DEK) marker is the universal marker for all conductor and plug-in connectors as well as for electronic sub-assemblies. The system is ideal for short number sequences and covers a wide range of ready-printed markers.

Strips for fast installation in only one work step. The printing is easy to read, rich in contrast and available in various widths.

- Large range of ready-to-use markers
- Strips for fast installation
- Terminal markers, suitable for all Weidmüller cable connectors
- Available as blank MultiCard or with standard printing

For custom printing: Please send us a file of our labeling software M-Print PRO or M-Print PRO Online (without installation) for your labeling specifications.

General ordering data

Type	DEK 5/5 MC NE WS	Version	
Order No.	1609801044		Dekafix, Terminal marker, 5 x 5 mm, Pitch in mm (P): 5.00
GTIN (EAN)	4008190397111		Weidmueller, white
Qty.	1,000 pc(s).		

Accessories



SAI – logic module These devices allow the combination of signals by means of an AND or an OR gate. This function leads to a reduction in the amount of wiring. The required inputs to the PLC can be reduced by up to 6 inputs. This process therefore saves the amount of wiring and material in the field.

General ordering data

Type	SAIEND 1/4 M8G 3P	Version	
Order No.	2662450000		Sensor/Actuator plug-in connector, M8
GTIN (EAN)	4050118677379		
Qty.	1 pc(s).		