

**PICOPAK-CI-CO-LP-P****Weidmüller Interface GmbH & Co. KG**

Klingenbergstraße 26

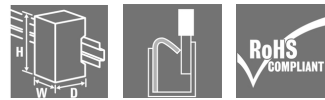
D-32758 Detmold

Germany

Fon: +49 5231 14-0

Fax: +49 5231 14-292083

www.weidmueller.com

**Product image, Similar to illustration****PicoPak: the robust one**

- Space-saving in the control cabinet thanks to the slim 6 mm width
- Passive isolator, loop-powered at the input and output
- Increased operating temperature range: -40°C ...+70°C
- Zero and Span adjustment possible

**General ordering data**

Type	PICOPAK-CI-CO-LP-P
Order No.	<a href="#">2501110000</a>
Version	Signal converter/insulator, Output current loop powered, Input : 4-20 mA, Output : 4-20 mA
GTIN (EAN)	4050118514704
Qty.	1 pc(s).

Creation date May 2, 2020 9:08:04 AM CEST

Catalogue status 17.04.2020 / We reserve the right to make technical changes.

## PICOPAK-CI-CO-LP-P

Weidmüller Interface GmbH &amp; Co. KG

Klingenbergstraße 26

D-32758 Detmold

Germany

Fon: +49 5231 14-0

Fax: +49 5231 14-292083

www.weidmueller.com

## Technical data

## Dimensions and weights

Width	6.1 mm	Width (inches)	0.24 inch
Height	79.4 mm	Height (inches)	3.126 inch
Depth	55 mm	Depth (inches)	2.165 inch
Weight	50 g	Net weight	47 g

## Temperatures

Humidity	0...95 % (no condensation)	Operating temperature, max.	70 °C
Operating temperature, min.	-40 °C	Storage temperature, max.	85 °C
Storage temperature, min.	-40 °C	Operating temperature	-40 °C...70 °C
Storage temperature	-40 °C...85 °C		

## Rated data UL

Certificate No. (cURus)	E141197
-------------------------	---------

## Input

Number of inputs	1	Sensor	Current source
Input current	4...20 mA	Voltage drop, current input	≤3,5 V

## Output

Number of outputs	1	Output current	4...20 mA, loop-powered
Cut-off frequency (-3 dB)	≥3,5 kHz	Load impedance current	≤ 600 Ω
Supply voltage (output)	18...32 V		

## General data

Accuracy	< 0.1 % of measuring range	Configuration	Potentiometer
Galvanic isolation	2-way isolator	Long-term drift	≤±0.05% of the measurement range / year
Power consumption, max.	0.85 W	Power consumption, typ.	0.55 W
Rail	TS 35	Standard	EN 61010-1, EN 61326-1, UL 61010-1:2012, 3rd Edition
Step response time	≤ 5 ms	Temperature coefficient	≤ 200 ppm/K
Voltage supply	Output loop powered		

## Insulation coordination

EMC standards	EN 61326-1	Galvanic isolation	2-way isolator
Insulation voltage	3.5 kV	Pollution severity	2
Rated voltage	300 V AC <sub>rms</sub>	Standard	EN 61010-1, EN 61326-1, UL 61010-1:2012, 3rd Edition
Surge voltage category	II		

## PICOPAK-CI-CO-LP-P

Weidmüller Interface GmbH &amp; Co. KG

Klingenbergstraße 26

D-32758 Detmold

Germany

Fon: +49 5231 14-0

Fax: +49 5231 14-292083

www.weidmueller.com

## Technical data

## Connection data

Type of connection	PUSH IN	Wire connection cross-section, finely stranded, min.	0.5 mm <sup>2</sup>
Wire connection cross section, finely stranded, max.	1.5 mm <sup>2</sup>	Wire cross-section, finely stranded, min. (AWG)	AWG 20
Wire cross-section, finely stranded, max. (AWG)	AWG 14		

## Classifications

ETIM 6.0	EC002653	ETIM 7.0	EC002653
eClass 9.0	27-21-01-20	eClass 9.1	27-21-01-90
eClass 10.0	27-21-01-20		

## Product information

Product information	The passive Isolator PicoPak-CI-CO-LP separates stand- analogue current signals. An analogue input current signal is converted linear and galvanic isolated into an analogue out- put current signal. The power supply occurs through the input and output measuring circuit. The measuring range can be adjusted if necessary via the potentiometers (Zero and Span) installed on the front.
---------------------	-----------------------------------------------------------------------------------------------------------------------------------------------------------------------------------------------------------------------------------------------------------------------------------------------------------------------------------------------------------------------------------------------

## Approvals

Approvals



ROHS	Conform
------	---------

## Downloads

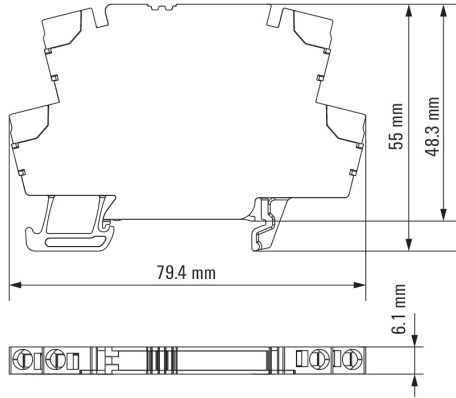
Approval/Certificate/Document of Conformity	<a href="#">UL approval</a> <a href="#">UL approval hazardous location</a> <a href="#">ATEX approval</a> <a href="#">IECEX approval</a> <a href="#">Declaration of Conformity</a>
Engineering Data	<a href="#">STEP</a>
User Documentation	<a href="#">Instruction sheet</a>

**PICOPAK-CI-CO-LP-P**

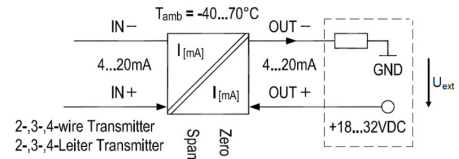
**Weidmüller Interface GmbH & Co. KG**  
 Klingenbergstraße 26  
 D-32758 Detmold  
 Germany  
 Fon: +49 5231 14-0  
 Fax: +49 5231 14-292083  
 www.weidmueller.com

**Drawings**

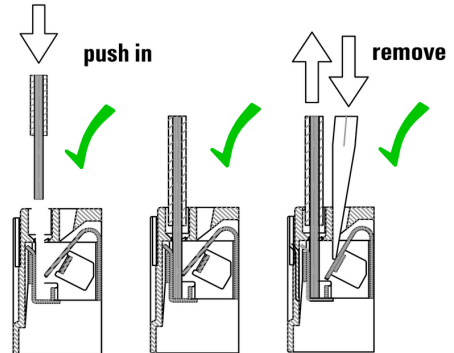
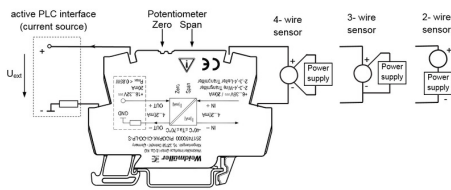
**Dimensional drawing**



**Connection diagram**



**Correct handling PUSH IN connection**



**PICOPAK-CI-CO-LP-P**

**Weidmüller Interface GmbH & Co. KG**  
Klingenbergstraße 26  
D-32758 Detmold  
Germany  
Fon: +49 5231 14-0  
Fax: +49 5231 14-292083  
www.weidmueller.com

**Accessories****PicoPak****PicoPak: the robust one**

- Space-saving in the control cabinet thanks to the slim 6 mm width
- Passive isolator, loop-powered at the input and output
- Increased operating temperature range: -40°C ...+70°C
- Zero and Span adjustment possible

**General ordering data**

Type	WS 12/6 MC NE WS	Version
Order No.	<a href="#">1609900000</a>	WS, Terminal marker, 12 x 6 mm, Pitch in mm (P): 6.00 Weidmueller,
GTIN (EAN)	4008190203467	Allen-Bradley, white
Qty.	600 pc(s).	