

**Crimping contact
HDC C MHX SM10.0AG**

Weidmüller Interface GmbH & Co. KG
Klingenbergstraße 26
D-32758 Detmold
Germany
Fon: +49 5231 14-0
Fax: +49 5231 14-292083
www.weidmueller.com



Crimps provide a electrical and mechanical connection between wire and contact that is both secure and reliable. The optimal crimp connection is gas-tight and corrosion-resistant.

General ordering data

Type	HDC C MHX SM10.0AG
Order No.	2494550000
Version	Heavy-duty connectors, Crimp contact, Pin, Conductor cross-section, max.: 10, turned, Copper alloy
GTIN (EAN)	4050118504521
Qty.	25 pc(s).

Creation date May 2, 2020 9:49:07 AM CEST

Catalogue status 17.04.2020 / We reserve the right to make technical changes.

**Crimping contact
HDC C MHX SM10.0AG**

Weidmüller Interface GmbH & Co. KG
 Klingenbergstraße 26
 D-32758 Detmold
 Germany
 Fon: +49 5231 14-0
 Fax: +49 5231 14-292083
 www.weidmueller.com

Technical data**Dimensions and weights**

Net weight	3.194 g
------------	---------

Environmental Product Compliance

REACH SVHC	Lead 7439-92-1
------------	----------------

General data

Contact diameter, male Ø	4 mm	Cross-section for connected wire	10 mm ²
Material	Copper alloy	Plugging cycles	≥ 500
Production methods	turned	Surface finish	silver
Type	Pin	Type of connection	Crimp connection
Volume resistance	≤ 1 mΩ		

Classifications

ETIM 6.0	EC000796	ETIM 7.0	EC000796
eClass 9.0	27-44-02-04	eClass 9.1	27-44-02-04
eClass 10.0	27-44-02-04		

Product information

Product information	Stripping length 11 - 12 mm
---------------------	-----------------------------

Approvals

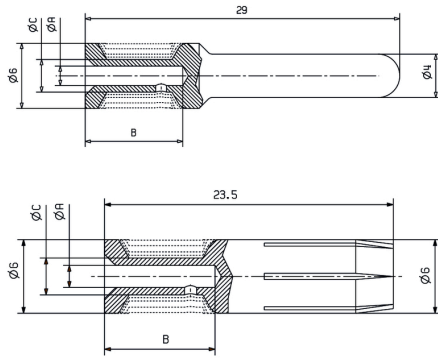
ROHS	Conform
------	---------

Downloads

Brochure/Catalogue	CAT 3 HDC 17/18 EN FL FIELDWIRING EN
Engineering Data	EPLAN
Engineering Data	STEP

Data sheet**Crimping contact
HDC C MHX SM10.0AG**

Weidmüller Interface GmbH & Co. KG
Klingenbergstraße 26
D-32758 Detmold
Germany
Fon: +49 5231 14-0
Fax: +49 5231 14-292083
www.weidmueller.com

Drawings

Data sheet**Crimping contact
HDC C MHX SM10.0AG**

Weidmüller Interface GmbH & Co. KG
Klingenbergstraße 26
D-32758 Detmold
Germany
Fon: +49 5231 14-0
Fax: +49 5231 14-292083
www.weidmueller.com

Accessories**CTIN / CTX****Crimping tools for turned contacts**

- Ratchet guarantees precise crimping
- Release option in the event of incorrect operation
- With stop for exact positioning of the contacts.

General ordering data

Type	CTIN CM 3.6	Version
Order No.	9205440000	Crimping tool for contacts, 1.5mm ² , 10mm ² , 4-indent crimp
GTIN (EAN)	4032248734146	
Qty.	1 pc(s).	