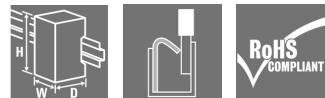


ACT20P
ACT20P-CI-VO-P

Weidmüller Interface GmbH & Co. KG
Klingenbergstraße 26
D-32758 Detmold
Germany
Fon: +49 5231 14-0
Fax: +49 5231 14-292083
www.weidmueller.com

Similar to illustration**ACT20P: The flexible solution**

- Precise and highly functional signal converters
- Release levers simplify handling

General ordering data

Type	ACT20P-CI-VO-P
Order No.	2489740000
Version	Signal converter/isolator, Input : 0(4)-20 mA, Output : 0-10 V
GTIN (EAN)	4050118535181
Qty.	1 pc(s).

ACT20P
ACT20P-CI-VO-P

Weidmüller Interface GmbH & Co. KG
 Klingenbergstraße 26
 D-32758 Detmold
 Germany
 Fon: +49 5231 14-0
 Fax: +49 5231 14-292083
 www.weidmueller.com

Technical data**Dimensions and weights**

Width	12.5 mm	Width (inches)	0.492 inch
Height	127.1 mm	Height (inches)	5.004 inch
Depth	113.7 mm	Depth (inches)	4.476 inch
Weight	110 g	Net weight	120 g

Temperatures

Humidity	5...95 %, no condensation	Operating temperature, max.	60 °C
Operating temperature, min.	-20 °C	Storage temperature, max.	85 °C
Storage temperature, min.	-40 °C	Operating temperature	-20 °C...60 °C
Storage temperature	-40 °C...85 °C		

Environmental Product Compliance

REACH SVHC Lead 7439-92-1

Input

Number of inputs	1	Sensor supply	> 17 V DC at 20 mA
Input signal	2-/3-wire transmitter, Current source	Input current	0...20 mA, 4...20mA
Voltage drop	≤ 1 V		

Output

Number of outputs	1	Output voltage, note	0...10 V (if input: 0...20 mA), 2...10 V (if input: 4...20 mA)
load impedance voltage	≥ 600 kΩ		

General data

Accuracy	±0,1 % FSR max., 0,05 % FSR typ.	Configuration	none
Current consumption	≤60 mA (24V power supply, 20mA output)	Galvanic isolation	3-way isolator, between input/output/supply
Rail	TS 35	Step response time	≤ 0,5 ms
Temperature coefficient	80 ppm/K	Voltage supply	20...30 V DC

Insulation coordination

EMC standards	EN 61326-1	Galvanic isolation	3-way isolator, between input/output/supply
Impulse withstand voltage	4 kV (1.2/50 μs)	Insulation voltage	2 kV inputs / outputs / power supply
Pollution severity	2	Surge voltage category	III

Data for Ex applications (ATEX)

Marking II 3 G Ex ec IIC T5 Gc

ACT20P
ACT20P-CI-VO-P

Weidmüller Interface GmbH & Co. KG
Klingenbergstraße 26
D-32758 Detmold
Germany
Fon: +49 5231 14-0
Fax: +49 5231 14-292083
www.weidmueller.com

Technical data**Connection data**

Type of connection	PUSH IN	Wire connection cross section AWG, min.	AWG 26
Wire connection cross section AWG, max.	AWG 14	Wire cross-section, solid, min.	0.2 mm ²
Wire cross-section, solid, max.	2.5 mm ²	Wire connection cross-section, finely stranded, min.	0.2 mm ²
Wire connection cross section, finely stranded, max.	2.5 mm ²	Wire connection cross-section, finely stranded with wire-end ferrules DIN 46228/4, min.	0.2 mm ²
Wire connection cross-section, finely stranded with wire-end ferrules DIN 46228/4, max.	2.5 mm ²		

Classifications

ETIM 6.0	EC002653	ETIM 7.0	EC002653
eClass 9.0	27-21-01-20	eClass 9.1	27-21-01-90
eClass 10.0	27-21-01-20		

Product information

Product information	<p>The fixed DC repeater ACT20P-CI-VO isolates analogue standard current signals from a power source or from a 2- or 3-wire sensor. An analogue input current signal is converted linear and galvanic isolated into an analogue output voltage signal. The power supply is galvanically isolated from input and output (3-way isolation).</p> <p>Features</p> <ul style="list-style-type: none"> • The active or passive mA current signal inputs are completely electrically isolated. • Front LED indicates operation status. • 3-way galvanic isolation between input, output and power supply
---------------------	--

Approvals

Approvals



Approvals	CULUS;
ROHS	Conform

Downloads

Approval/Certificate/Document of Conformity	IECEx Certification ATEX Certification Declaration of Conformity
Engineering Data	STEP
User Documentation	Instruction sheet

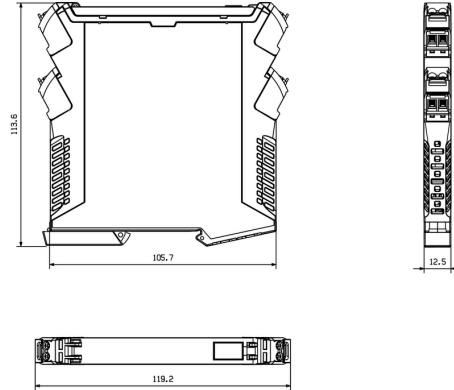
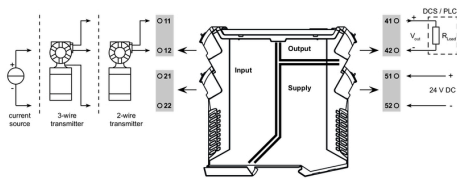
Data sheet

**ACT20P
ACT20P-CI-VO-P**

Weidmüller Interface GmbH & Co. KG
 Klingenbergstraße 26
 D-32758 Detmold
 Germany
 Fon: +49 5231 14-0
 Fax: +49 5231 14-292083
 www.weidmueller.com

Drawings

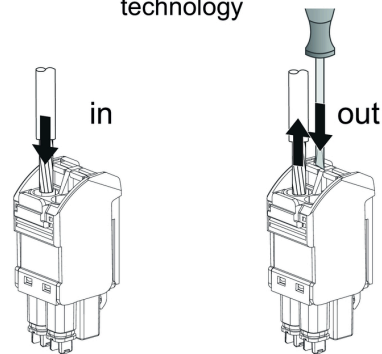
Dimensioned drawing, Similar to illustration



Similar to illustration



**PUSH IN
technology**

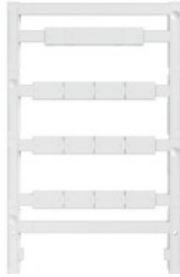


**ACT20P
ACT20P-CI-VO-P**

Weidmüller Interface GmbH & Co. KG
 Klingenbergstraße 26
 D-32758 Detmold
 Germany
 Fon: +49 5231 14-0
 Fax: +49 5231 14-292083
 www.weidmueller.com

Accessories

Accessories



Accessories for the analogue signal processing products:

- End plates: for components with terminal-block design
- Retaining clips: for mounting IP6X signal isolators and displays
- Calibration devices: for calibrating and setting analogue signal converters
- MICRO interface: for direct transmission to a controller thus minimizing the wiring overhead
- markers
- Programming adapter: for configuring PC-configurable modules
- Cross-connector
- Power supply modules / power supplies
- Optional connection terminals and cold-junction compensation terminals

General ordering data

Type	ESG 8/13.5/43.3 SAI AU	Version
Order No.	1912130000	ESG, Device markers x 13.5 mm, PA 66, Colour: Transparent
GTIN (EAN)	4032248541164	
Qty.	5 pc(s).	
Type	ESG 6.6/11 BHZ 5.00/02	Version
Order No.	1082490000	ESG, Device markers x 11 mm, PA 66, Colour: white
GTIN (EAN)	4032248845330	
Qty.	200 pc(s).	