

**ACT20P**  
**ACT20P-CI-CO-P**

**Weidmüller Interface GmbH & Co. KG**  
Klingenbergstraße 26  
D-32758 Detmold  
Germany  
Fon: +49 5231 14-0  
Fax: +49 5231 14-292083  
www.weidmueller.com

**Product image****ACT20P: The flexible solution**

- Precise and highly functional signal converters
- Release levers simplify handling

**General ordering data**

Type	ACT20P-CI-CO-P
Order No.	<a href="#">2489680000</a>
Version	Signal converter/isolator, Input : 0(4)-20 mA, Output : 0(4)-20 mA
GTIN (EAN)	4050118535150
Qty.	1 pc(s).

Creation date May 2, 2020 10:21:58 AM CEST

Catalogue status 17.04.2020 / We reserve the right to make technical changes.

**ACT20P**  
**ACT20P-CI-CO-P**

**Weidmüller Interface GmbH & Co. KG**  
 Klingenbergstraße 26  
 D-32758 Detmold  
 Germany  
 Fon: +49 5231 14-0  
 Fax: +49 5231 14-292083  
 www.weidmueller.com

**Technical data**
**Dimensions and weights**

Width	12.5 mm	Width (inches)	0.492 inch
Height	127.1 mm	Height (inches)	5.004 inch
Depth	113.7 mm	Depth (inches)	4.476 inch
Weight	110 g	Net weight	120 g

**Temperatures**

Humidity	5...95 %, no condensation	Operating temperature, max.	60 °C
Operating temperature, min.	-20 °C	Storage temperature, max.	85 °C
Storage temperature, min.	-40 °C	Operating temperature	-20 °C...60 °C
Storage temperature	-40 °C...85 °C		

**Environmental Product Compliance**

REACH SVHC	Lead 7439-92-1
------------	----------------

**Input**

Number of inputs	1	Sensor supply	> 17 V DC at 20 mA, max 30 V @ open circuit, max 50 mA @ short-circuit
Input signal	2-/3-wire transmitter, HART signal® bidirectional	Input current	0...20 mA, 4...20mA
Voltage drop	≤ 1 V		

**Output**

Number of outputs	1	Output current	0...20 mA (if input: 0...20 mA), 4...20 mA (if input: 4...20 mA), HART® digital signal
Load impedance current	≤ 550 Ω		

**General data**

Accuracy	< 0.1 % of end value	Configuration	none
Current consumption	≤60 mA (24V power supply, 20mA output)	Galvanic isolation	3-way isolator, between input/output/supply
Rail	TS 35	Step response time	≤ 0,5 ms
Temperature coefficient	80 ppm/K	Voltage supply	20...30 V DC

**Insulation coordination**

EMC standards	EN 61010-1:2011, UL 61010-1, EN 61326-1	Galvanic isolation	3-way isolator, between input/output/supply
Impulse withstand voltage	4 kV (1.2/50 μs)	Insulation voltage	2 kV inputs / outputs / power supply
Pollution severity	2	Surge voltage category	III

**Data for Ex applications (ATEX)**

Marking	II 3 G Ex ec IIC T5 Gc
---------	------------------------

**ACT20P**  
**ACT20P-CI-CO-P**

**Weidmüller Interface GmbH & Co. KG**  
 Klingenbergstraße 26  
 D-32758 Detmold  
 Germany  
 Fon: +49 5231 14-0  
 Fax: +49 5231 14-292083  
 www.weidmueller.com

**Technical data****Connection data**

Type of connection	PUSH IN	Wire connection cross section AWG, min.	AWG 26
Wire connection cross section AWG, max.	AWG 14	Wire cross-section, solid, min.	0.2 mm <sup>2</sup>
Wire cross-section, solid, max.	2.5 mm <sup>2</sup>	Wire connection cross-section, finely stranded, min.	0.2 mm <sup>2</sup>
Wire connection cross section, finely stranded, max.	2.5 mm <sup>2</sup>	Wire connection cross-section, finely stranded with wire-end ferrules DIN 46228/4, min.	0.2 mm <sup>2</sup>
Wire connection cross-section, finely stranded with wire-end ferrules DIN 46228/4, max.	2.5 mm <sup>2</sup>		

**Classifications**

ETIM 6.0	EC002653	ETIM 7.0	EC002653
eClass 9.0	27-21-01-20	eClass 9.1	27-21-01-90
eClass 10.0	27-21-01-20		

**Product information**

Product information	<p>The non-adjustable DC isolating amplifier ACT20P-CI-CO isolates analogue standard current signals from a power source or from a 2- or 3-wire sensor. An analogue input current signal is linearly converted into an analogue output current signal and is galvanically isolated. The power supply is galvanically isolated from the input and output (3-way isolation).</p> <p>Properties</p> <ul style="list-style-type: none"> <li>• HART-compatible for 0.5 - 2.5 kHz</li> <li>• The active or passive mA signal inputs are fully galvanically isolated.</li> <li>• Operating status display on a front panel LED</li> <li>• Galvanic 3-way isolation between input, output and supply.</li> </ul>
---------------------	--

**Approvals**

Approvals



Approvals	CULUS;
ROHS	Conform

**Downloads**

Approval/Certificate/Document of Conformity	<a href="#">IECEX Certification</a> <a href="#">ATEX Certification</a> <a href="#">Declaration of Conformity</a>
Engineering Data	<a href="#">STEP</a>
User Documentation	<a href="#">Instruction sheet</a>

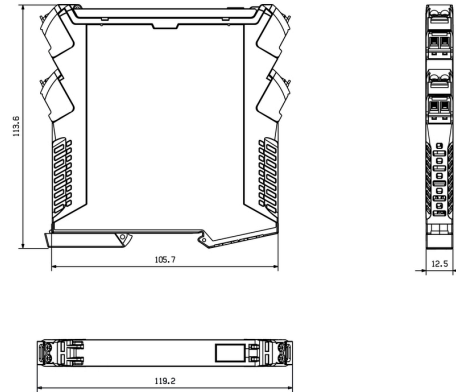
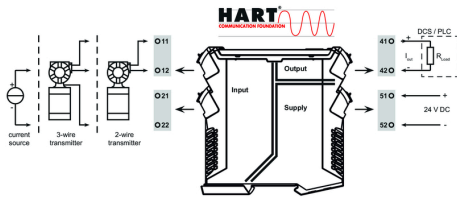
**Data sheet**

**ACT20P  
ACT20P-CI-CO-P**

**Weidmüller Interface GmbH & Co. KG**  
 Klingenbergstraße 26  
 D-32758 Detmold  
 Germany  
 Fon: +49 5231 14-0  
 Fax: +49 5231 14-292083  
 www.weidmueller.com

**Drawings**

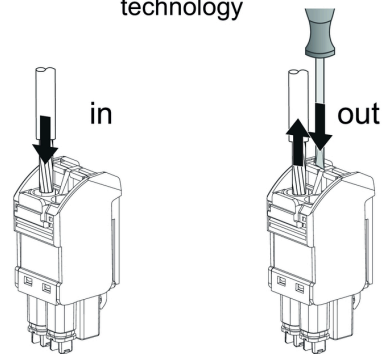
**Dimensioned drawing, Similar to illustration**



**Similar to illustration**



**PUSH IN  
technology**

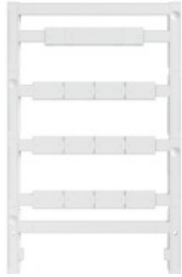


**ACT20P  
ACT20P-CI-CO-P**

**Weidmüller Interface GmbH & Co. KG**  
 Klingenbergstraße 26  
 D-32758 Detmold  
 Germany  
 Fon: +49 5231 14-0  
 Fax: +49 5231 14-292083  
 www.weidmueller.com

**Accessories**

**Accessories**



Accessories for the analogue signal processing products:

- End plates: for components with terminal-block design
- Retaining clips: for mounting IP6X signal isolators and displays
- Calibration devices: for calibrating and setting analogue signal converters
- MICRO interface: for direct transmission to a controller thus minimizing the wiring overhead
- markers
- Programming adapter: for configuring PC-configurable modules
- Cross-connector
- Power supply modules / power supplies
- Optional connection terminals and cold-junction compensation terminals

**General ordering data**

Type	ESG 8/13.5/43.3 SAI AU	Version
Order No.	<a href="#">1912130000</a>	ESG, Device markers x 13.5 mm, PA 66, Colour: Transparent
GTIN (EAN)	4032248541164	
Qty.	5 pc(s).	
Type	ESG 6.6/11 BHZ 5.00/02	Version
Order No.	<a href="#">1082490000</a>	ESG, Device markers x 11 mm, PA 66, Colour: white
GTIN (EAN)	4032248845330	
Qty.	200 pc(s).	