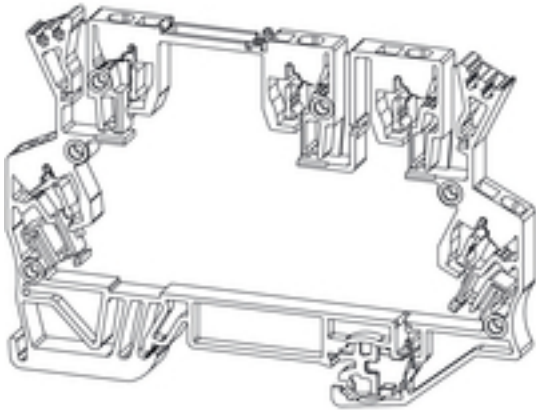


**OMNIMATE Housing - TERMINALBOX
GH MCZUE1.5/UE BL 1667**

Weidmüller Interface GmbH & Co. KG
Klingenbergstraße 26
D-32758 Detmold
Germany
Fon: +49 5231 14-0
Fax: +49 5231 14-292083
www.weidmueller.com



Open miniature housing in modular terminal format with five tension clamp connections. A transparent hinged top plate can be used for labelling and provides access to potentiometer and status displays. Plug-in cross-connectors can be used to interconnect the three top connections. A cover plate for closing off the housing is also available.

General ordering data

Type	GH MCZUE1.5/UE BL 1667
Order No.	2463200000
Version	Small housing, OMNIMATE Housing - TERMINALBOX blue, only enclosures, without metal accessories, Width: 6 mm
GTIN (EAN)	4050118479522
Qty.	100 pc(s).

**OMNIMATE Housing - TERMINALBOX
GH MCZUE1.5/UE BL 1667**

Weidmüller Interface GmbH & Co. KG
Klingenbergstraße 26
D-32758 Detmold
Germany
Fon: +49 5231 14-0
Fax: +49 5231 14-292083
www.weidmueller.com

Technical data
Dimensions and weights

Length	91 mm	Length (inches)	3.583 inch
Width	6 mm	Width (inches)	0.236 inch
Height	63 mm	Height (inches)	2.48 inch
Net weight	12.5 g		

System characteristics

Version	only enclosures, without metal accessories	Protection degree	IP20
---------	--	-------------------	------

Material data

Colour	blue	Colour chart (similar)	RAL 5012
Storage temperature, min.	-25 °C	Storage temperature, max.	55 °C
Max. relative humidity during storage	80 %	Operating temperature, min.	-50 °C
Operating temperature, max.	120 °C	Temperature range, installation, min.	-25 °C
Temperature range, installation, max.	120 °C		

Classifications

ETIM 6.0	EC000261	ETIM 7.0	EC000261
eClass 9.0	27-18-01-90	eClass 9.1	27-18-92-90
eClass 10.0	27-18-01-92		

Approvals

ROHS	Conform
------	---------

Downloads

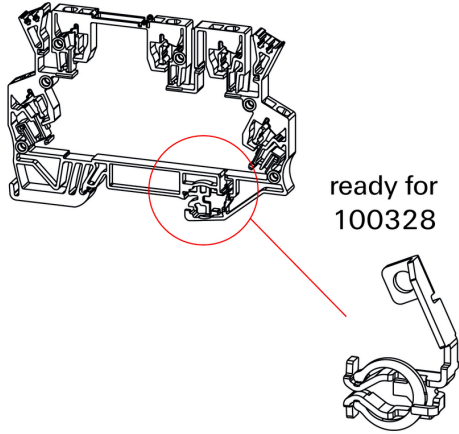
Brochure/Catalogue	FL ANALO.SIGN.CONV. EN MB DEVICE MANUF. EN FL MACHINE SAFETY EN FL 72H SAMPLE SER EN PO OMNIMATE EN
Engineering Data	EPLAN
Engineering Data	STEP

Data sheet

**OMNIMATE Housing - TERMINALBOX
GH MCZUE1.5/UE BL 1667**

Weidmüller Interface GmbH & Co. KG
Klingenbergstraße 26
D-32758 Detmold
Germany
Fon: +49 5231 14-0
Fax: +49 5231 14-292083
www.weidmueller.com

Drawings



OMNIMATE Housing - TERMINALBOX GH MCZUE1.5/UE BL 1667

Weidmüller Interface GmbH & Co. KG
Klingenbergstraße 26
D-32758 Detmold
Germany
Fon: +49 5231 14-0
Fax: +49 5231 14-292083
www.weidmueller.com

Accessories

ZQV 4N



Spring connection with PUSH IN Technology

The innovative PUSH IN technology reduces the amount of time you spend on wiring to a minimum. Direct insertion guarantees high conductor pull-out forces and simple handling for all conductor types.

General ordering data

Type	ZQV 4N/6
Order No.	1527990000
GTIN (EAN)	4050118332919
Qty.	20 pc(s).
Type	ZQV 4N/9
Order No.	1528070000
GTIN (EAN)	4050118332797
Qty.	20 pc(s).
Type	ZQV 4N/5
Order No.	1527980000
GTIN (EAN)	4050118332759
Qty.	60 pc(s).
Type	ZQV 4N/8
Order No.	1528030000
GTIN (EAN)	4050118332841
Qty.	20 pc(s).
Type	ZQV 4N/10
Order No.	1528090000
GTIN (EAN)	4050118332896
Qty.	20 pc(s).
Type	ZQV 4N/30
Order No.	2561580000
GTIN (EAN)	4050118570113
Qty.	5 pc(s).
Type	ZQV 4N/32
Order No.	2561670000
GTIN (EAN)	4050118570175
Qty.	5 pc(s).
Type	ZQV 4N/3
Order No.	1527940000
GTIN (EAN)	4050118332865
Qty.	60 pc(s).
Type	ZQV 4N/50
Order No.	1528130000
GTIN (EAN)	4050118332902
Qty.	5 pc(s).
Type	ZQV 4N/4
Order No.	1527970000
GTIN (EAN)	4050118332889
Qty.	60 pc(s).

Creation date May 2, 2020 1:09:56 PM CEST

OMNIMATE Housing - TERMINALBOX GH MCZUE1.5/UE BL 1667

Weidmüller Interface GmbH & Co. KG
 Klingenbergstraße 26
 D-32758 Detmold
 Germany
 Fon: +49 5231 14-0
 Fax: +49 5231 14-292083
 www.weidmueller.com

Accessories

Type ZQV 4N/7
 Order No. [1528020000](#)
 GTIN (EAN) 4050118332780
 Qty. 20 pc(s).

Type ZQV 4N/2
 Order No. [1527930000](#)
 GTIN (EAN) 4050118332766
 Qty. 60 pc(s).

ZQV 4N



Spring connection with tension clamp Technology

Tension clamp technology is a universal contact system for all common conductor connection types. Its fantastic level of flexibility makes the tension clamp a profitable alternative connection.

General ordering data

Type	ZQV 4N/3 SW	Version
Order No.	1794000000	Accessories, Cross-connector, 32 A
GTIN (EAN)	4032248233793	
Qty.	60 pc(s).	

Type	ZQV 4N/10 SW	Version
Order No.	1794060000	Accessories, Cross-connector, 32 A
GTIN (EAN)	4032248234059	
Qty.	20 pc(s).	

Type	ZQV 4N/4 SW	Version
Order No.	1794030000	Accessories, Cross-connector, 32 A
GTIN (EAN)	4032248233915	
Qty.	60 pc(s).	

Type	ZQV 4N/41 SW	Version
Order No.	1794090000	Accessories, Cross-connector, 32 A
GTIN (EAN)	4032248234165	
Qty.	10 pc(s).	

Type	ZQV 4N/20 SW	Version
Order No.	1909120000	Accessories, Cross-connector, 32 A
GTIN (EAN)	4032248535804	
Qty.	20 pc(s).	