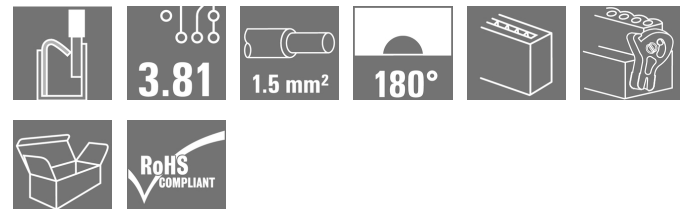


## OMNIMATE Signal - series BC/SC 3.81 BCF 3.81/16/180LR SN OR BX

**Weidmüller Interface GmbH & Co. KG**  
Klingenbergstraße 26  
D-32758 Detmold  
Germany  
Fon: +49 5231 14-0  
Fax: +49 5231 14-292083  
www.weidmueller.com

### Product image



PUSH IN - Weidmüller's innovative connection system simplifies the wire connection process.

The benefits for users and applications:

- High packaging density due to very low component height. Simply insert the prepared wire - finished
- High component density with the compact SCDN / SCDN-THR two-tier pin header
- Simplified processing due to integrated push buttons for opening the clamping unit
- Intuitive handling – since the wire-entry area and handling area are clearly separated
- tool-free locking and releasing when using Weidmüller's patented release latch (LR)

The Weidmüller plug-in connectors, pitch 3.81 mm (0.15 inch), are compatible with the layout of customary plug-in connectors, can be coded and provide space for printing.

### General ordering data

|              |  |
|--------------|--|
| Type         | BCF 3.81/16/180LR SN OR BX   |
| Order No.    | <a href="#">2442740000</a>   |
| Version      | PCB plug-in connector, female plug, 3.81 mm, Number of poles: 16, 180°, PUSH IN, Tension-clamp connection, Clamping range, max. : 1.5 mm², Box |
| GTIN (EAN)   | 4050118543162  |
| Qty.         | 50 pc(s).  |
| Product data | IEC: 320 V / 17.5 A / 0.14 - 1.5 mm²<br>UL: 300 V / 10 A / AWG 26 - AWG 16   |
| Packaging    | Box  |

**OMNIMATE Signal - series BC/SC 3.81  
BCF 3.81/16/180LR SN OR BX**

**Weidmüller Interface GmbH & Co. KG**  
Klingenbergstraße 26  
D-32758 Detmold  
Germany  
Fon: +49 5231 14-0  
Fax: +49 5231 14-292083  
www.weidmueller.com

**Technical data****Dimensions and weights**

|            |          |                 |            |
|------------|----------|-----------------|------------|
| Width      | 71.55 mm | Width (inches)  | 2.817 inch |
| Height     | 15.09 mm | Height (inches) | 0.594 inch |
| Depth      | 28.45 mm | Depth (inches)  | 1.12 inch  |
| Net weight | 11.88 g  |                 |            |

**System Parameters**

|  |                                     |  |                   |
|--|-------------------------------------|--|-------------------|
| Product family                               | OMNIMATE Signal - series BC/SC 3.81 | Type of connection                         | Field connection  |
| Wire connection method                       | PUSH IN, Tension-clamp connection   | Pitch in mm (P)                            | 3.81 mm           |
| Pitch in inches (P)                          | 0.15 inch                           | Conductor outlet direction                 | 180°              |
| Number of poles                              | 16                                  | L1 in mm                                   | 57.15 mm          |
| L1 in inches                                 | 2.25 inch                           | Number of rows                             | 1                 |
| Pin series quantity                          | 1                                   | Rated cross-section                        | 1 mm <sup>2</sup> |
| Touch-safe protection acc. to DIN VDE 57 106 | Safe from finger touch              | Touch-safe protection acc. to DIN VDE 0470 | IP 20             |
| Volume resistance                            | ≤ 5mΩ                               | Can be coded                               | Yes               |
| Stripping length                             | 9 mm                                | Actuating force actuating element, max.    | 40 N              |
| Screwdriver blade                            | 0.4 x 2.5                           | Screwdriver blade standard                 | DIN 5264          |
| Plugging cycles                              | 25                                  | Plugging force/pole, max.                  | 8 N               |
| Pulling force/pole, max.                     | 7 N                                 |  |                   |

**Material data**

|                                       |                |                                       |                     |
|---------------------------------------|----------------|---------------------------------------|---------------------|
| Insulating material                   | PA 66 GF 30    | Colour                                | orange              |
| Colour of operational elements        | white          | Material of operational elements      | PPA GF              |
| Colour chart (similar)                | RAL 2000       | Insulating material group             | II                  |
| Comparative Tracking Index (CTI)      | ≥ 550          | Insulation strength                   | ≥ 10 <sup>8</sup> Ω |
| UL 94 flammability rating             | V-0            | GWFI                                  | 960 °C              |
| Contact material                      | Copper alloy   | Contact surface                       | tinned              |
| Layer structure of plug contact       | 4-8 μm Sn matt | Storage temperature, min.             | -25 °C              |
| Storage temperature, max.             | 50 °C          | Max. relative humidity during storage | 70 %                |
| Operating temperature, min.           | -50 °C         | Operating temperature, max.           | 120 °C              |
| Temperature range, installation, min. | -25 °C         | Temperature range, installation, max. | 120 °C              |

**Conductors suitable for connection**

|   |                      |
|---|----------------------|
| Clamping range, min.                            | 0.14 mm <sup>2</sup> |
| Clamping range, max.                            | 1.5 mm <sup>2</sup>  |
| Wire connection cross section AWG, min.         | AWG 26               |
| Wire connection cross section AWG, max.         | AWG 16               |
| Solid, min. H05(07) V-U                         | 0.14 mm <sup>2</sup> |
| Solid, max. H05(07) V-U                         | 1.5 mm <sup>2</sup>  |
| Flexible, min. H05(07) V-K                      | 0.14 mm <sup>2</sup> |
| Flexible, max. H05(07) V-K                      | 1.5 mm <sup>2</sup>  |
| w. plastic collar ferrule, DIN 46228 pt 4, min. | 0.25 mm <sup>2</sup> |
| w. plastic collar ferrule, DIN 46228 pt 4, max. | 1 mm <sup>2</sup>    |
| w. wire end ferrule, DIN 46228 pt 1, min.       | 0.25 mm <sup>2</sup> |
| w. wire end ferrule, DIN 46228 pt 1, max.       | 1.5 mm <sup>2</sup>  |

Creation date May 2, 2020 3:26:23 PM CEST

**OMNIMATE Signal - series BC/SC 3.81  
BCF 3.81/16/180LR SN OR BX**

**Weidmüller Interface GmbH & Co. KG**  
Klingenbergstraße 26  
D-32758 Detmold  
Germany  
Fon: +49 5231 14-0  
Fax: +49 5231 14-292083  
www.weidmueller.com

**Technical data**

Plug gauge in accordance with EN 60999 a x b; ø 2.4 mm x 1.5 mm; 1.9mm

|  |  |                              |                             |
|--|--|------------------------------|-----------------------------|
| Clampable conductor                    | Cross-section for conductor connection | Type                         | fine-wired                  |
|  |  | nominal                      | 0.5 mm <sup>2</sup>         |
| wire end ferrule                       |  | Stripping length             | nominal 12 mm               |
|  |  | Recommended wire-end ferrule | <a href="#">H0.5/16 OR</a>  |
|  |  | Stripping length             | nominal 10 mm               |
|  |  | Recommended wire-end ferrule | <a href="#">H0.5/10</a>     |
| Cross-section for conductor connection | Type                                   | fine-wired                   |                             |
|  | nominal                                | 0.75 mm <sup>2</sup>         |                             |
| wire end ferrule                       |  | Stripping length             | nominal 12 mm               |
|  |  | Recommended wire-end ferrule | <a href="#">H0.75/16 W</a>  |
|  |  | Stripping length             | nominal 10 mm               |
|  |  | Recommended wire-end ferrule | <a href="#">H0.75/10</a>    |
| Cross-section for conductor connection | Type                                   | fine-wired                   |                             |
|  | nominal                                | 1 mm <sup>2</sup>            |                             |
| wire end ferrule                       |  | Stripping length             | nominal 12 mm               |
|  |  | Recommended wire-end ferrule | <a href="#">H1.0/16D R</a>  |
|  |  | Stripping length             | nominal 10 mm               |
|  |  | Recommended wire-end ferrule | <a href="#">H1.0/10</a>     |
| Cross-section for conductor connection | Type                                   | fine-wired                   |                             |
|  | nominal                                | 0.34 mm <sup>2</sup>         |                             |
| wire end ferrule                       |  | Stripping length             | nominal 10 mm               |
|  |  | Recommended wire-end ferrule | <a href="#">H0.34/12 TK</a> |

Reference text The outside diameter of the plastic collar should not be larger than the pitch (P). Length of ferrules is to be chosen depending on the product and the rated voltage.

Max. clamping range 1.5 mm<sup>2</sup>

**Rated data acc. to IEC**

|   |                        |   |                  |
|---|------------------------|---|------------------|
| tested acc. to standard   | IEC 60664-1, IEC 61984 | Rated current, min. number of poles (Tu=20°C)                         | 17.5 A           |
| Rated current, max. number of poles (Tu=20°C)                             | 17.5 A                 | Rated current, min. number of poles (Tu=40°C)                         | 17.5 A           |
| Rated current, max. number of poles (Tu=40°C)                             | 16.3 A                 | Rated voltage for surge voltage class / pollution degree II/2         | 320 V            |
| Rated voltage for surge voltage class / pollution degree III/2            | 160 V                  | Rated voltage for surge voltage class / pollution degree III/3        | 160 V            |
| Rated impulse voltage for surge voltage class/ pollution degree II/2      | 2.5 kV                 | Rated impulse voltage for surge voltage class/ pollution degree III/2 | 2.5 kV           |
| Rated impulse voltage for surge voltage class/ contamination degree III/3 | 2.5 kV                 | Short-time withstand current resistance                               | 3 x 1s with 76 A |

**Rated data acc. to CSA**

|                                   |        |                                   |        |
|-----------------------------------|--------|-----------------------------------|--------|
| Rated voltage (Use group B / CSA) | 300 V  | Rated voltage (Use group C / CSA) | 50 V   |
| Rated voltage (Use group D / CSA) | 300 V  | Rated current (Use group B / CSA) | 11 A   |
| Rated current (Use group C / CSA) | 11 A   | Rated current (Use group D / CSA) | 11 A   |
| Wire cross-section, AWG, min.     | AWG 26 | Wire cross-section, AWG, max.     | AWG 16 |

**Data sheet**

**OMNIMATE Signal - series BC/SC 3.81  
BCF 3.81/16/180LR SN OR BX**

**Weidmüller Interface GmbH & Co. KG**  
Klingenbergstraße 26  
D-32758 Detmold  
Germany  
Fon: +49 5231 14-0  
Fax: +49 5231 14-292083  
www.weidmueller.com

**Technical data**

**Rated data acc. to UL 1059**

Institute (cURus)



Certificate No. (cURus)

E60693

|                                       |  |
|---------------------------------------|--|
| Rated voltage (Use group B / UL 1059) | 300 V  |
| Rated current (Use group B / UL 1059) | 10 A   |
| Wire cross-section, AWG, min.         | AWG 26   |
| Reference to approval values          | Specifications are maximum values, details - see approval certificate. |

|                                       |        |
|---------------------------------------|--------|
| Rated voltage (Use group D / UL 1059) | 300 V  |
| Rated current (Use group D / UL 1059) | 10 A   |
| Wire cross-section, AWG, max.         | AWG 16 |

**Packing**

|           |        |            |        |
|-----------|--------|------------|--------|
| Packaging | Box    | VPE length | 290 mm |
| VPE width | 270 mm | VPE height | 60 mm  |

**Classifications**

|             |             |            |             |
|-------------|-------------|------------|-------------|
| ETIM 6.0    | EC002638    | ETIM 7.0   | EC002638    |
| eClass 9.0  | 27-44-03-09 | eClass 9.1 | 27-44-03-09 |
| eClass 10.0 | 27-44-03-09 |            |             |

**Notes**

Notes

- Additional colours on request
- Rated current related to rated cross-section & min. No. of poles.
- P on drawing = pitch
- Conductors suitable for connection: 1.5 mm<sup>2</sup> with wire-end ferrule with plastic collar, DIN 46 228/1, with a rated voltage of 125V/2.5 kV with III/3 or 250 V/2.5 kV with II/2
- Crimp shape A for wire-end ferrules with crimping tools PZ 1,5 (order no. 9005990000) or PZ 6/5 (order no. 9011460000) for larger wire cross-sections recommended.
- Wire end ferrule without plastic collar to DIN 46228/1
- Wire end ferrule with plastic collar to DIN 46228/4
- Rated data refer only to the component itself. Clearance and creepage distances to other components are to be designed in accordance with the relevant application standards.
- The test point can only be used as potential-pickup point.

IPC conformity

Conformity: The products are developed, manufactured and delivered according international recognized standards and norms and comply with the assured properties in the data sheet resp. fulfill decorative properties in accordance with IPC-A-610 "Class 2". Further claims on the products can be evaluated on request.

**Approvals**

Approvals



|      |         |
|------|---------|
| ROHS | Conform |
|------|---------|

Creation date May 2, 2020 3:26:23 PM CEST

**Data sheet****OMNIMATE Signal - series BC/SC 3.81  
BCF 3.81/16/180LR SN OR BX**

**Weidmüller Interface GmbH & Co. KG**  
Klingenbergstraße 26  
D-32758 Detmold  
Germany  
Fon: +49 5231 14-0  
Fax: +49 5231 14-292083  
www.weidmueller.com

**Technical data****Downloads**

---

|   |   |
|---|---|
| Approval/Certificate/Document of Conformity | <a href="#">CB Certificate</a><br><a href="#">CB Testreport</a> |
| Engineering Data                            | <a href="#">STEP</a>  |
| White paper PUSH IN wire connection         | <a href="#">Download Whitepaper</a>                             |

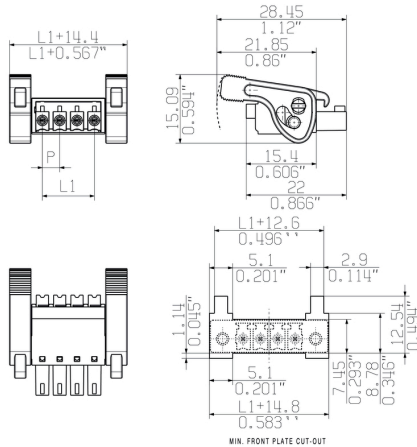
---

**OMNIMATE Signal - series BC/SC 3.81  
BCF 3.81/16/180LR SN OR BX**

**Weidmüller Interface GmbH & Co. KG**  
Klingenbergstraße 26  
D-32758 Detmold  
Germany  
Fon: +49 5231 14-0  
Fax: +49 5231 14-292083  
www.weidmueller.com

**Drawings**

**Product benefits**

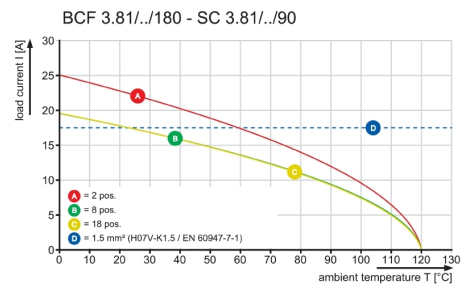
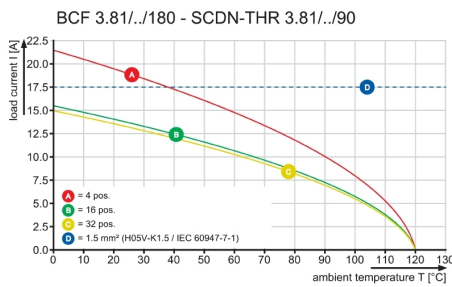


Self-locking

Immediately on plugging in

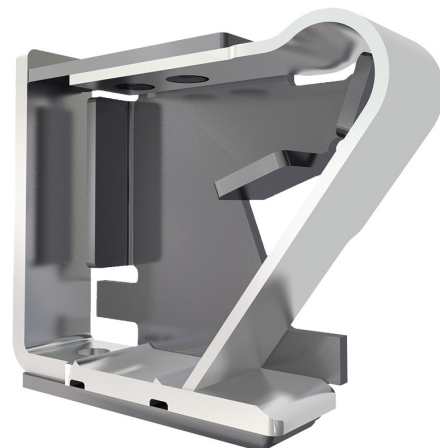
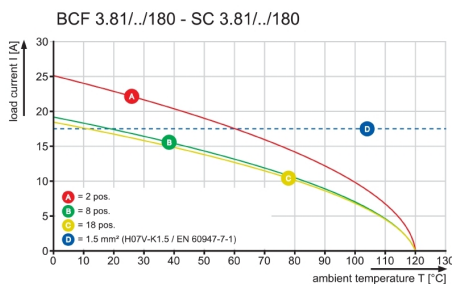
**Graph**

**Graph**

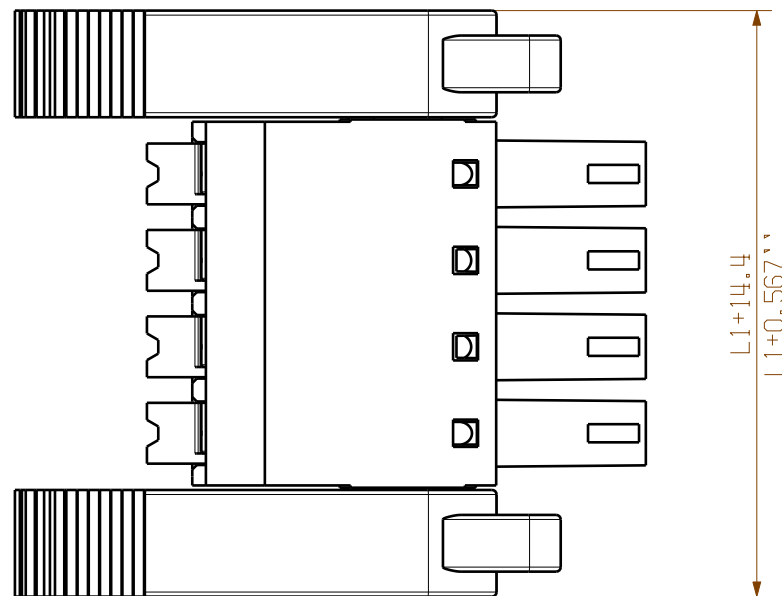
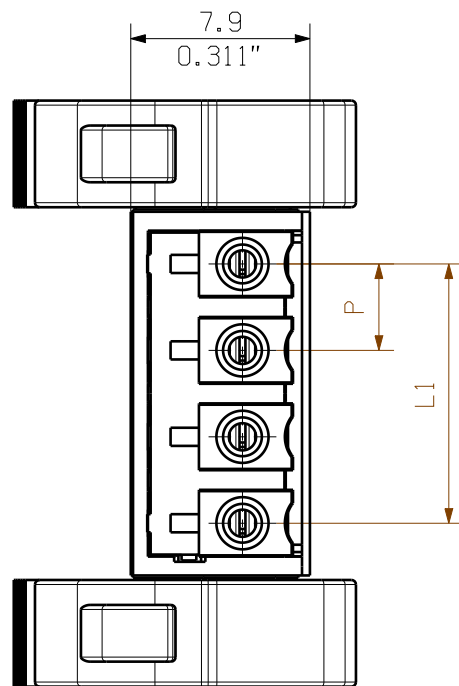
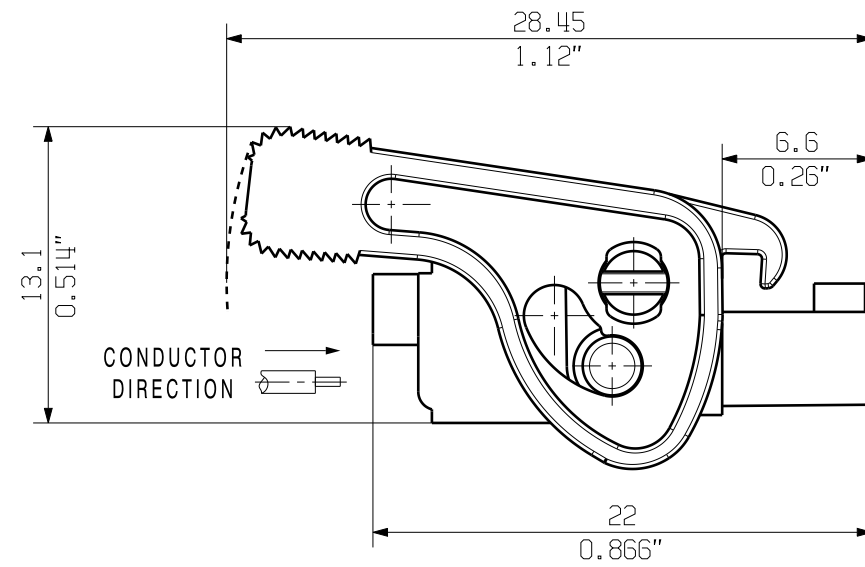


**Graph**

**Product benefits**



Solid PUSH IN contact  
Safe and durable



|    |         |           |
|----|---------|-----------|
| 20 | 72.39   | 2.850     |
| 19 | 68.58   | 2.700     |
| 18 | 64.77   | 2.550     |
| 17 | 60.96   | 2.400     |
| 16 | 57.15   | 2.250     |
| 15 | 53.34   | 2.100     |
| 14 | 49.53   | 1.950     |
| 13 | 45.72   | 1.800     |
| 12 | 41.91   | 1.650     |
| 11 | 38.10   | 1.500     |
| 10 | 34.29   | 1.350     |
| 9  | 30.48   | 1.200     |
| 8  | 26.67   | 1.050     |
| 7  | 22.86   | 0.900     |
| 6  | 19.05   | 0.750     |
| 5  | 15.24   | 0.600     |
| 4  | 11.43   | 0.450     |
| 3  | 7.62    | 0.300     |
| 2  | 3.81    | 0.150     |
| n  | L1 [mm] | L1 [inch] |

P = 3.81 RASTER  
0.15" PITCH

KUNDENZEICHUNG  
CUSTOMER DRAWING

|   |           |                                |         |                       |   |
|---|-----------|--------------------------------|---------|-----------------------|---|
| <b>GENERAL TOLERANCE:</b><br>DIN ISO 2768-m |           | 86251/0<br>26.05.16 XIANG_K 00 |         | Cat.no.:              |   |
| RoHS COMPLIANT                              | Max. nos. | Modification                   |         | <b>Weidmüller</b>     |   |
| Scale: 3/1                                  |           | Drawn                          | Date    | Name                  | <b>BCF 3.81...180LR...</b><br>BUCHSENLEISTE<br>SOCKET BLOCK |
| Supersedes:                                 |           | Responsible                    | Checked | Name                  |   |
|   |           | Approved                       | Date    | Name                  |   |
|   |           | Product file: BCF 3.81         |         | Sheet 00 of 00 sheets |   |
|   |           |                                |         | Issue no.             |   |
|   |           |                                |         | 7072                  |   |

The reproduction, distribution and utilization of this document as well as the communication of its contents to others without explicit authorization is prohibited. Offenders will be held liable for the payment of damages. Weidmüller exclusively reserves the right to file for patents, utility models or designs.

© Weidmüller Interface GmbH & Co. KG