

**SAIE-M12BD-4-H5.5TL-PG9****Weidmüller Interface GmbH & Co. KG**

Klingenbergstraße 26

D-32758 Detmold

Germany

Fon: +49 5231 14-0

Fax: +49 5231 14-292083

www.weidmueller.com

**Similar to illustration**

Weidmüller is one of the industry's leading international providers of connectors. An important mainstay in this product family are the circular connectors, which Weidmüller groups under the product name SAI. In the development of SAI products, Weidmüller engineers have always concentrated on achieving rational, cost-effective installation concepts, and – in cooperation with major users – have supplied the markets with well-conceived products which set standards in terms of functionality and quality across the globe. The best examples are the new power distributors with S and T coded M12. These modules are characterised by particularly high currents and voltages. This enables them to also be used, for example, with three-phase motors.

**General ordering data**

Type	SAIE-M12BD-4-H5.5TL-PG9
Order No.	<a href="#">2424440000</a>
Version	Built-in plugs, M12, PG 9, Number of poles: 4, Rear panel mounting
GTIN (EAN)	4050118432510
Qty.	10 pc(s).

Creation date May 2, 2020 5:47:29 PM CEST

Catalogue status 17.04.2020 / We reserve the right to make technical changes.

**SAIE-M12BD-4-H5.5TL-PG9**
**Weidmüller Interface GmbH & Co. KG**

Klingenbergstraße 26

D-32758 Detmold

Germany

Fon: +49 5231 14-0

Fax: +49 5231 14-292083

www.weidmueller.com

**Technical data**
**Dimensions and weights**

Net weight	20 g
------------	------

**Environmental Product Compliance**

REACH SVHC	Lead 7439-92-1
------------	----------------

**Technical data of PCB plug-in connector**

Coding	D	Housings	M12 socket
Mounting height	5.5 mm	Mounting thread	PG9
Number of poles	4	Shield connection	Yes
Type of mounting	Rear panel mounting	Rated voltage	250 V
Rated voltage (text)	250 V	Rated current	4 A
Rated current	4 A	Temperature range	-30...80 °C
Protection degree	IP67	Contact surface	Au (Gold)
Housing main material	CuZn, nickel-plated	Connection thread	M12
Tightening torque	M12: 0.8 Nm	Mounting thread	PG 9
Mounting torque range	1.2 Nm	Insulation strength	100 MΩ
Pollution severity	3 (2 within the sealed area)	Plugging cycles	≥ 100
Contact material	CuZn	Lock nut material	Nickel-plated CuZn
Material of the flange-mounted housing	Nickel-plated CuZn		

**Material data**

Contact material	CuZn	Contact surface	Au (Gold)
------------------	------	-----------------	-----------

**System parameters**

Insulation strength	100 MΩ	Number of poles	4
Pin series quantity	1	Plugging cycles	≥ 100
Protection degree	IP67		

**Classifications**

ETIM 6.0	EC002638	ETIM 7.0	EC002638
eClass 9.0	27-44-03-09	eClass 9.1	27-44-03-09
eClass 10.0	27-44-03-09		

**Approvals**

ROHS	Conform
------	---------

**Downloads**

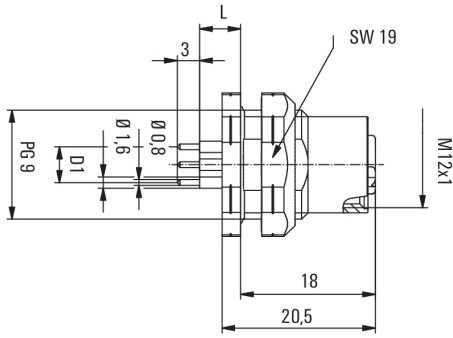
Brochure/Catalogue	<a href="#">FL FIELDWIRING EN</a>
--------------------	-----------------------------------

**SAIE-M12BD-4-H5.5TL-PG9**

**Weidmüller Interface GmbH & Co. KG**  
 Klingenbergstraße 26  
 D-32758 Detmold  
 Germany  
 Fon: +49 5231 14-0  
 Fax: +49 5231 14-292083  
 www.weidmueller.com

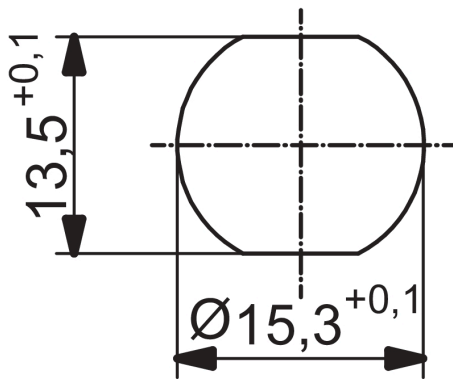
**Drawings**

**Dimensioned drawing**

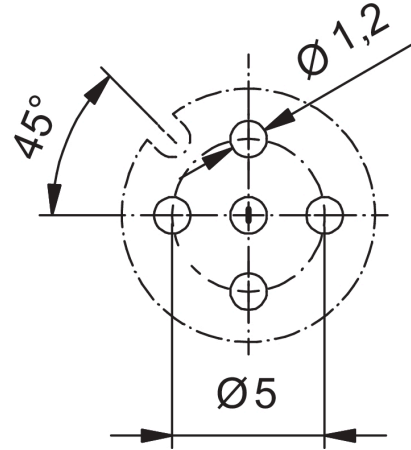


L (board-to-board distance) = 5.5mm

**Front panel section**



**PCB design**



**Pole scheme**

