

SAIEW-M12SB-4-HTL**Weidmüller Interface GmbH & Co. KG**

Klingenbergstraße 26

D-32758 Detmold

Germany

Fon: +49 5231 14-0

Fax: +49 5231 14-292083

www.weidmueller.com



Weidmüller is one of the industry's leading international providers of connectors. An important mainstay in this product family are the circular connectors, which Weidmüller groups under the product name SAI. In the development of SAI products, Weidmüller engineers have always concentrated on achieving rational, cost-effective installation concepts, and – in cooperation with major users – have supplied the markets with well-conceived products which set standards in terms of functionality and quality across the globe. The best examples are the new power distributors with S and T coded M12. These modules are characterised by particularly high currents and voltages. This enables them to also be used, for example, with three-phase motors.

General ordering data

Type	SAIEW-M12SB-4-HTL
Order No.	2424350000
Version	Built-in plugs, M12, M 12, Number of poles: 4, Rear panel mounting
GTIN (EAN)	4050118432428
Qty.	10 pc(s).

Creation date May 2, 2020 5:49:16 PM CEST

Catalogue status 17.04.2020 / We reserve the right to make technical changes.

SAIEW-M12SB-4-HTL

Weidmüller Interface GmbH & Co. KG

Klingenbergstraße 26

D-32758 Detmold

Germany

Fon: +49 5231 14-0

Fax: +49 5231 14-292083

www.weidmueller.com

Technical data

Dimensions and weights

Net weight 14.2 g

Environmental Product Compliance

REACH SVHC Lead 7439-92-1

Technical data of PCB plug-in connector

Coding	B	Housing surface	nickel-plated
Housings	M12 pin	Mounting thread	M12
Number of poles	4	Shield connection	Yes
Type of mounting	Rear panel mounting	Rated voltage	250 V
Rated voltage (text)	250 V	Rated current	4 A
Rated current	4 A	Temperature range	-30...80 °C
Protection degree	IP67	Contact surface	Au (Gold)
Housing main material	CuZn, nickel-plated	Connection thread	M12
Tightening torque	M12: 0.8 Nm	Mounting thread	M 12
Mounting torque range	1.2 Nm	Mounting onto the PCB	Dip solder
Insulation strength	100 MΩ	Pollution severity	3 (2 within the sealed area)
Plugging cycles	≥ 100	Contact material	CuZn
Lock nut material	Nickel-plated CuZn	Material of the flange-mounted housing	Nickel-plated CuZn

Material data

Contact material CuZn Contact surface Au (Gold)

System parameters

Mounting onto the PCB	Dip solder	Insulation strength	100 MΩ
Number of poles	4	Pin series quantity	1
Plugging cycles	≥ 100	Protection degree	IP67

Classifications

ETIM 6.0	EC002638	ETIM 7.0	EC002638
eClass 9.0	27-44-03-09	eClass 9.1	27-44-03-09
eClass 10.0	27-44-03-09		

Approvals

ROHS Conform

Downloads

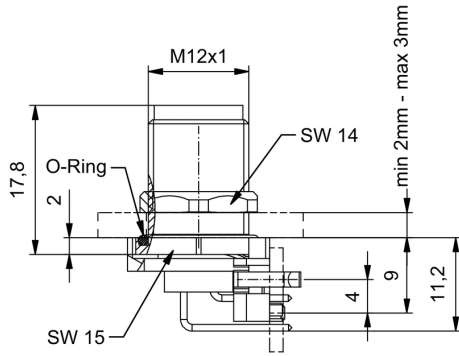
Brochure/Catalogue [FL FIELDWIRING EN](#)
Engineering Data [STEP](#)

SAIEW-M12SB-4-HTL

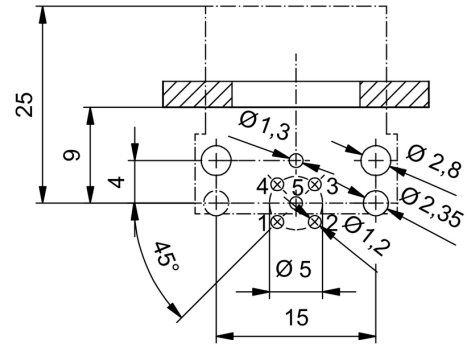
Weidmüller Interface GmbH & Co. KG
 Klingenbergstraße 26
 D-32758 Detmold
 Germany
 Fon: +49 5231 14-0
 Fax: +49 5231 14-292083
 www.weidmueller.com

Drawings

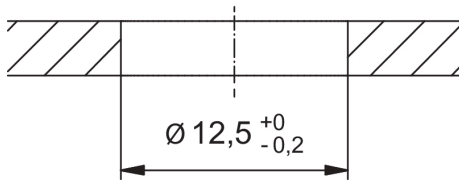
Dimensioned drawing



PCB design



Front panel section



Pole scheme

