

SAIE-M12S-4-H5.5TL**Weidmüller Interface GmbH & Co. KG**

Klingenbergstraße 26

D-32758 Detmold

Germany

Fon: +49 5231 14-0

Fax: +49 5231 14-292083

www.weidmueller.com



Weidmüller is one of the industry's leading international providers of connectors. An important mainstay in this product family are the circular connectors, which Weidmüller groups under the product name SAI. In the development of SAI products, Weidmüller engineers have always concentrated on achieving rational, cost-effective installation concepts, and – in cooperation with major users – have supplied the markets with well-conceived products which set standards in terms of functionality and quality across the globe. The best examples are the new power distributors with S and T coded M12. These modules are characterised by particularly high currents and voltages. This enables them to also be used, for example, with three-phase motors.

General ordering data

Type	SAIE-M12S-4-H5.5TL
Order No.	2423300000
Version	Built-in plugs, M12, M 12, Number of poles: 4, Rear panel mounting
GTIN (EAN)	4050118431926
Qty.	10 pc(s).

Creation date May 2, 2020 6:19:38 PM CEST

Catalogue status 17.04.2020 / We reserve the right to make technical changes.

SAIE-M12S-4-H5.5TL

Weidmüller Interface GmbH & Co. KG

Klingenbergstraße 26

D-32758 Detmold

Germany

Fon: +49 5231 14-0

Fax: +49 5231 14-292083

www.weidmueller.com

Technical data

Dimensions and weights

Net weight	10.6 g
------------	--------

Environmental Product Compliance

REACH SVHC	Lead 7439-92-1
------------	----------------

Technical data of PCB plug-in connector

Coding	A	Housing surface	nickel-plated
Housings	M12 pin	Mounting height	5.5 mm
Mounting thread	M12	Number of poles	4
Shield connection	No	Type of mounting	Rear panel mounting
Rated voltage		Rated voltage (text)	250 V (4-pole) / 60 V (5-pole)
Rated current	250 V	Rated current	4 A
Temperature range	4 A	Protection degree	IP67
Contact surface	-30...80 °C	Housing main material	CuZn, nickel-plated
Connection thread	Au (Gold)	Tightening torque	M12: 0.8 Nm
Mounting thread	M12	Mounting torque range	1 Nm
Insulation strength	M 12	Pollution severity	3 (2 within the sealed area)
Plugging cycles	100 MΩ	Contact material	CuZn
Lock nut material	≥ 100	Material of the flange-mounted housing	Nickel-plated CuZn
	Nickel-plated CuZn		

Material data

Contact material	CuZn	Contact surface	Au (Gold)
------------------	------	-----------------	-----------

System parameters

Insulation strength	100 MΩ	Number of poles	4
Pin series quantity	1	Plugging cycles	≥ 100
Protection degree	IP67		

Classifications

ETIM 6.0	EC002638	ETIM 7.0	EC002638
eClass 9.0	27-44-03-09	eClass 9.1	27-44-03-09
eClass 10.0	27-44-03-09		

Approvals

ROHS	Conform
------	---------

Downloads

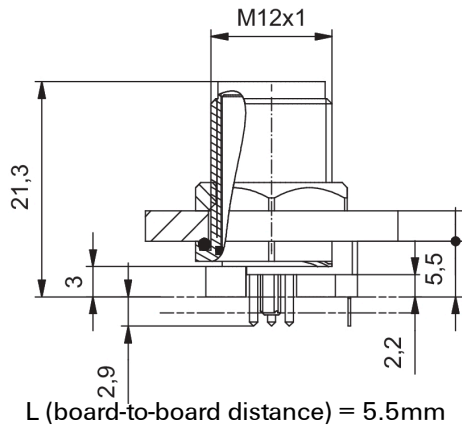
Brochure/Catalogue	FL FIELDWIRING EN
Engineering Data	STEP

SAIE-M12S-4-H5.5TL

Weidmüller Interface GmbH & Co. KG
 Klingenbergstraße 26
 D-32758 Detmold
 Germany
 Fon: +49 5231 14-0
 Fax: +49 5231 14-292083
 www.weidmueller.com

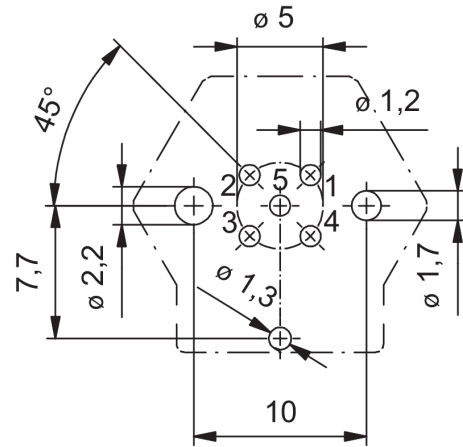
Drawings

Dimensioned drawing



Front panel section

PCB design



Pole scheme

