

**SAIE-M12B-5-H5.5TL****Weidmüller Interface GmbH & Co. KG**

Klingenbergstraße 26

D-32758 Detmold

Germany

Fon: +49 5231 14-0

Fax: +49 5231 14-292083

www.weidmueller.com

**Similar to illustration**

Weidmüller is one of the industry's leading international providers of connectors. An important mainstay in this product family are the circular connectors, which Weidmüller groups under the product name SAI. In the development of SAI products, Weidmüller engineers have always concentrated on achieving rational, cost-effective installation concepts, and – in cooperation with major users – have supplied the markets with well-conceived products which set standards in terms of functionality and quality across the globe. The best examples are the new power distributors with S and T coded M12. These modules are characterised by particularly high currents and voltages. This enables them to also be used, for example, with three-phase motors.

**General ordering data**

|            |                                                                       |
|------------|-----------------------------------------------------------------------|
| Type       | SAIE-M12B-5-H5.5TL                                                    |
| Order No.  | <a href="#">2423240000</a>                                            |
| Version    | Built-in plugs, M12, M 12, Number of poles: 5,<br>Rear panel mounting |
| GTIN (EAN) | 4050118431827                                                         |
| Qty.       | 10 pc(s).                                                             |

Creation date May 2, 2020 6:22:02 PM CEST

Catalogue status 17.04.2020 / We reserve the right to make technical changes.

**SAIE-M12B-5-H5.5TL****Weidmüller Interface GmbH & Co. KG**

Klingenbergstraße 26

D-32758 Detmold

Germany

Fon: +49 5231 14-0

Fax: +49 5231 14-292083

www.weidmueller.com

**Technical data****Dimensions and weights**

Net weight 14 g

**Environmental Product Compliance**

REACH SVHC Lead 7439-92-1

**Technical data of PCB plug-in connector**

|                     |                    |                                        |                                |
|---------------------|--------------------|----------------------------------------|--------------------------------|
| Coding              | A                  | Housing surface                        | nickel-plated                  |
| Housings            | M12 socket         | Mounting height                        | 5.5 mm                         |
| Mounting thread     | M12                | Number of poles                        | 5                              |
| Shield connection   | No                 | Type of mounting                       | Rear panel mounting            |
| Rated voltage       |                    | Rated voltage (text)                   | 250 V (4-pole) / 60 V (5-pole) |
|                     | 60 V               | Rated current                          | 4 A                            |
| Rated current       | 4 A                | Protection degree                      | IP67                           |
| Temperature range   | -30...80 °C        | Housing main material                  | CuZn, nickel-plated            |
| Contact surface     | Au (Gold)          | Tightening torque                      | M12: 0.8 Nm                    |
| Connection thread   | M12                | Mounting torque range                  | 1.2 Nm                         |
| Mounting thread     | M 12               | Pollution severity                     | 3 (2 within the sealed area)   |
| Insulation strength | 100 MΩ             | Contact material                       | CuZn                           |
| Plugging cycles     | ≥ 100              | Material of the flange-mounted housing | Nickel-plated CuZn             |
| Lock nut material   | Nickel-plated CuZn |                                        |                                |

**Material data**

Contact material CuZn Contact surface Au (Gold)

**System parameters**

|                     |        |                 |       |
|---------------------|--------|-----------------|-------|
| Insulation strength | 100 MΩ | Number of poles | 5     |
| Pin series quantity | 1      | Plugging cycles | ≥ 100 |
| Protection degree   | IP67   |                 |       |

**Classifications**

|             |             |            |             |
|-------------|-------------|------------|-------------|
| ETIM 6.0    | EC002638    | ETIM 7.0   | EC002638    |
| eClass 9.0  | 27-44-03-09 | eClass 9.1 | 27-44-03-09 |
| eClass 10.0 | 27-44-03-09 |            |             |

**Approvals**

ROHS Conform

**Downloads**

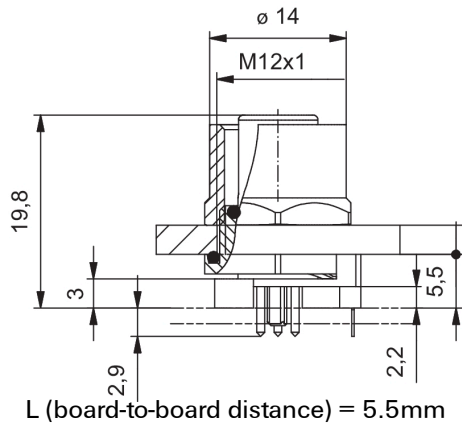
Brochure/Catalogue [FL FIELDWIRING EN](#)  
 Engineering Data [STEP](#)

**SAIE-M12B-5-H5.5TL**

**Weidmüller Interface GmbH & Co. KG**  
 Klingenbergstraße 26  
 D-32758 Detmold  
 Germany  
 Fon: +49 5231 14-0  
 Fax: +49 5231 14-292083  
 www.weidmueller.com

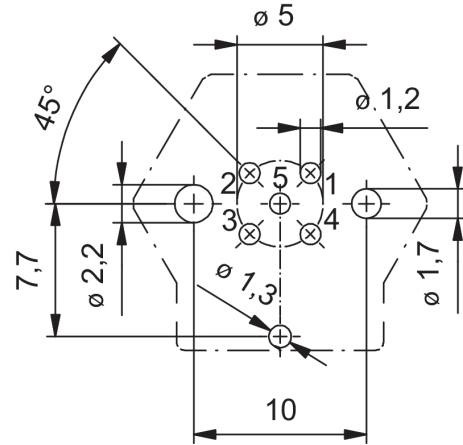
**Drawings**

**Dimensioned drawing**



**Front panel section**

**PCB design**



**Pole scheme**

